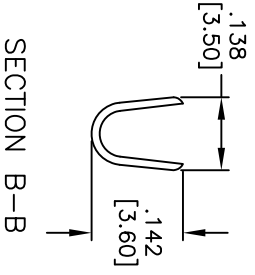
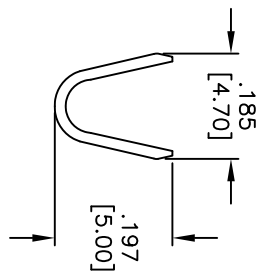
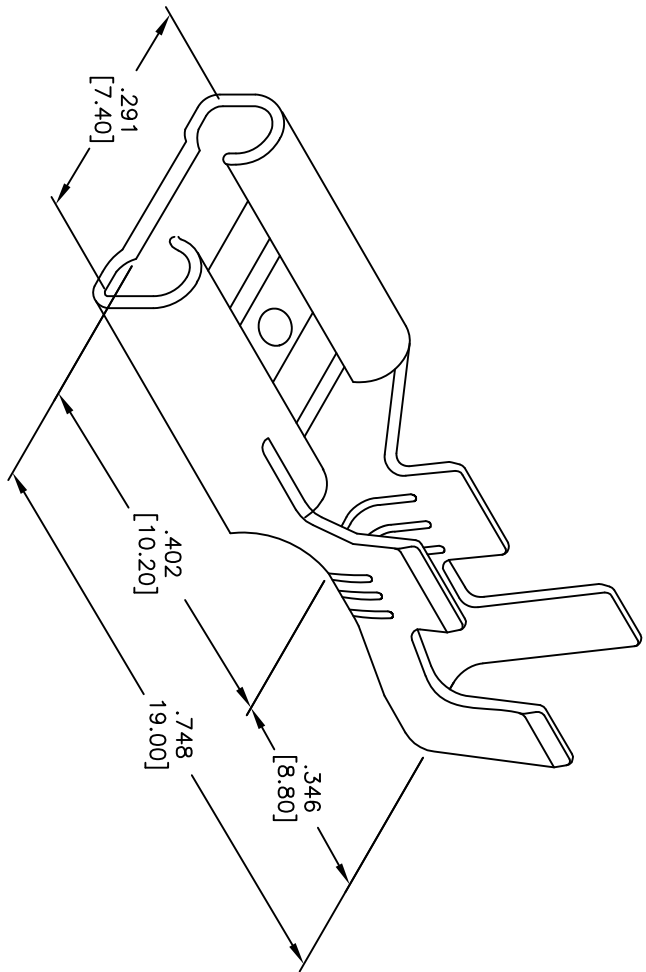


Rev	AWO #	Description	Date	Appr
-		RELEASED	12/30/10	

APPROVED: _____
 DATE: _____ TITLE: _____



SPECIFICATIONS:

Material:
 Terminal: Brass, Matte Tin plated
 Thickness: 0.40mm
 Wire Range: AWG#20~16
Electrical:
 Voltage rating: AC 250V, DC 350V
 Current rating: AC,DC,15A
 Temperature range: -25°C to +85°C
 Environmental:
 Lead free, RoHS compliant.



ADAM TECH

909 Railway Avenue, Union, NJ 07083
 Phone: 908-687-5000 Fax: 908-687-5710

TITLE: .291" QUICK DISCONNECT TERMINAL
 HALF INSULATED

UNLESS OTHERWISE SPECIFIED ALL DIMENSIONS ARE INCHES [MM]		TOLERANCES: EXCEPT AS NOTED	
INCHES	HOLDS	INCHES	DATE
.X ± .10	ØXX ± .10	.XXX ± .015	ØXXX ± .010
.XX ± .020	ØXXX ± .015	.XXX ± .015	ØXXX ± .010
APPROVALS			
DRAWN	AY	12/30/10	
CHECKED	JL	12/30/10	
APPROVED			

SIZE	PART NO.	SCALE	SHEET 1 OF 1
X	4QD-.291-20/16-MT	NIS	
REF: S00137T			