



SMA Male to SMA Female Bulkhead Semi-Flexible Precision Cable Using PE-SR402FLJ Coax, RoHS

TECHNICAL DATA SHEET

PE39441

Hand Formable SMA Male to SMA Female Bulkhead Semi-Flexible Precision Cable Using PE-SR402FLJ Coax, RoHS

Pasternack's formable cable assemblies are hand formable semi-rigid replacements that are an alternative to costly preformed assemblies. The formable semi-rigid cable alternatives are dimensionally and electrically similar to their semi-rigid counterpart and have a tinned-copper-braid outer shield that provides excellent RF shielding. The hand formable cable assemblies from Pasternack do not require special tooling to shape or reshape the assemblies and can replace standard semi-rigid versions. The assemblies are available with or without a PVC jacket and are RoHS compliant,

- Dimensionally and electrically the same as standard, solid outer conductor semi-rigid coax
- Cable may be formed by hand and does not require special tools to bend
- May be formed more than once without damaging the outer conductor
- High RF Shielding >100 dB
- 100% Hi-pot and continuity tested
- 100% VSWR tested to max frequency of assembly
- Standard and custom lengths ship the same day

Configuration

Connector 1	SMA Male
Connector 2	SMA Female Bulkhead
Cable Type	PE-SR402FLJ

Electrical Specifications

Frequency Range, GHz	DC to 18
Impedance, Ohms	50
Maximum VSWR	1.5:1
Velocity of Propagation, %	69
RF Shielding, dB	100
Maximum Operating Voltage, Vrms	335

Typical Electrical Specifications

Frequency 1

Frequency, MHz	1000
Insertion Loss	0.119 dB/ft [0.39 dB/m]

Frequency 2

Frequency, GHz	5
Insertion Loss	0.28 dB/ft [0.92 dB/m]

Frequency 3

Frequency, GHz	10
Insertion Loss	0.421 dB/ft [1.38 dB/m]

Electrical Specification Notes:

Click the following link (or enter part number in "SEARCH" on website) to obtain additional part information including price, inventory and certifications: [SMA Male to SMA Female Bulkhead Semi-Flexible Precision Cable Using PE-SR402FLJ Coax, RoHS PE39441](#)

The information contained in this document is accurate to the best of our knowledge and representative of the part described herein. It may be necessary to make modifications to the part and/or the documentation of the part, in order to implement improvements. Pasternack reserves the right to make such changes as required. Unless otherwise stated, all specifications are nominal.



SMA Male to SMA Female Bulkhead Semi-Flexible Precision Cable Using PE-SR402FLJ Coax, RoHS

TECHNICAL DATA SHEET

PE39441

Mechanical Specifications

Cable Assembly

Cable Type PE-SR402FLJ

Temperature

Temperature Operating Range, deg C -55 to +125
 Diameter, in [mm] 0.161 [4.09]
 Cable Color Black
 One Time Minimum Bend Radius, in [mm] 0.75 [19.05]
 Repeated Minimum Bend Radius, in [mm] 1.575 [40.01]

Cable

Center Conductor Type Solid
 Cable Inner Conductor Copper, Silver
 No of Shields 1
 Dielectric Type PTFE
 Jacket Material FEP
 Jacket Diameter, in [mm] 0.161 [4.09]

Connector 1

Type SMA Male
 Configuration Straight

Connector 2

Type SMA Female Bulkhead
 Configuration Straight
 Mount Method Bulkhead

Compliance Certifications (visit www.Pasternack.com for current document)

RoHS Compliant Yes

Plotted and Other Data

Notes: Values at 25 °C, sea level

SMA Male to SMA Female Bulkhead Semi-Flexible Precision Cable Using PE-SR402FLJ Coax, RoHS from Pasternack Enterprises has same day shipment for domestic and International orders. Our RF, microwave and fiber optic products maintain a 99% availability and are part of the broadest selection in the industry.

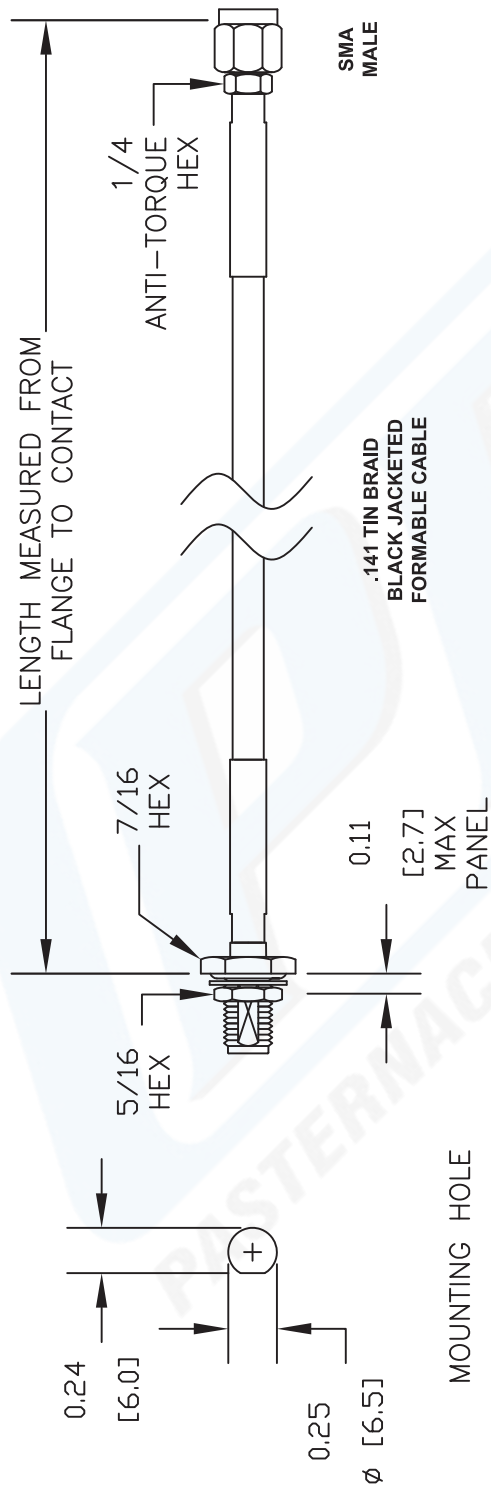
Click the following link (or enter part number in "SEARCH" on website) to obtain additional part information including price, inventory and certifications: [SMA Male to SMA Female Bulkhead Semi-Flexible Precision Cable Using PE-SR402FLJ Coax, RoHS PE39441](http://www.pasternack.com/sma-male-sma-female-pe-sr402flj-cable-assembly-pe39441-p.aspx)

URL: <http://www.pasternack.com/sma-male-sma-female-pe-sr402flj-cable-assembly-pe39441-p.aspx>

The information contained in this document is accurate to the best of our knowledge and representative of the part described herein. It may be necessary to make modifications to the part and/or the documentation of the part, in order to implement improvements. Pasternack reserves the right to make such changes as required. Unless otherwise stated, all specifications are nominal.

PE39441 CAD Drawing

SMA Male to SMA Female Bulkhead Semi-Flexible Precision Cable Using PE-SR402FLJ Coax, RoHS



Note: This part is lead free.

How To Order		Part # Ext.	Length In Inches	Part # Ext.	Length In Centimeters
Part Number Configuration		-12	12"	-25CM	25Cm
PE3	zzz yy - xx uu	-24	24"	-50CM	50Cm
00 - 99999	LF = Lead Free < Blank > = Standard	-36	36"	-75CM	75Cm
	Note: LF applies only to RF cables	-48	48"	-100CM	100Cm
		-60	60"	-125CM	125Cm
		-xx	Custom Length	-xxCM	Custom Length



PASTERNAK ENTERPRISES, INC.
 P.O. BOX 16759, IRVINE, CA 92623
 PHONE (949) 261-1920 FAX (949) 261-7451
 WEB ADDRESS: www.pasternack.com
 E-MAIL ADDRESS: sales@pasternack.com
COAXIAL & FIBER OPTICS
 ESTABLISHED 1972

DWG TITLE
PE39441

NOTES:
 1. UNLESS OTHERWISE SPECIFIED ALL DIMENSIONS ARE NOMINAL.
 2. ALL SPECIFICATIONS ARE SUBJECT TO CHANGE WITHOUT NOTICE AT ANY TIME.
 3. DIMENSIONS ARE IN INCHES (mm).
 4. LENGTH TOLERANCE IS ± 1.5% OR 3/8", WHICHEVER IS GREATER.

REV. -	FSCM NO. 53919	CAD FILE 041912	SCALE N/A	SIZE A	2231
--------	----------------	-----------------	-----------	--------	------