
Features

- Universal AC input/ Full range
- Short circuit, overload, over-voltage protected
- Cooling by free air convection
- Approvals: UL/CUL/TUV/CB/CE
- Fixed switching frequency at 65KHz
- Low leakage current <0.5mA
- 100% full load burn-in test
- Low cost, high reliability
- 2 year warranty

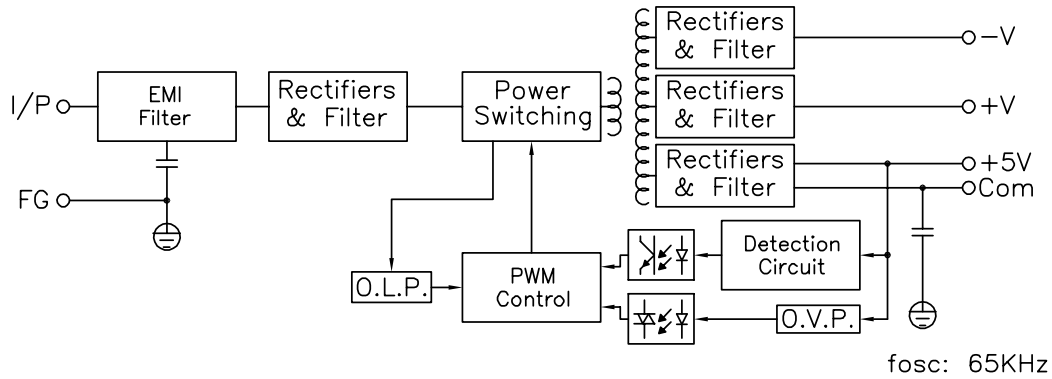
	CH1	CH2	CH3
DC output voltage	5V	12V	-12V
Output V. tolerance	±4%	±7%	±5%
Output rated current	3A	2A	0.3A
Output min. current	0.4A	0.2A	0A
Output max. current	5A	2.5A	0.5A
Ripple & noise p-p	50mV	120mV	100mV
Line regulation	±1%	±2%	±1%
Load regulation	±3%	±4%	±1%
Rated output power	42.6W		
Maximum output power	rated output power for convection 52W with 18CFM min forced air		
Efficiency	75%		
DC voltage adj.	CH1: +10, -5%		
Input voltage range	90~264VAC 47~440Hz; 120-370VDC		
AC current	1A/115V 0.7A/230V		
Inrush current	cold start 20A/115V 40A/230V		
Leakage current	<0.5mA @ 240 VAC		
Overload protection	53~75W type: Hiccup mode, recovers automatically after fault condition is removed		
Over voltage protection	5.75~6.75VDC on CH1		
Temperature coefficient	±0.04% / °C (0~50°C) on +5V output		
Set up, rise, hold up time	800ms, 20ms, 20ms		
Vibration	10~500Hz, 2G 10 min./1 cycle, period of 60 min. each axes		
Withstand voltage	I/P-O/P: 3KVAC, I/P-FG: 1.5KVAC, O/P-FG: 0.5KVAC, for 1 min.		
Isolation resistance	I/P-O/P, I/P-FG, O/P-FG: 500VDC / 100M Ohms min.		
Working temp., humidity	-10°C~+60% (refer to output derating curve), 20%-90% RH		
Storage temp., humidity	-20°C~+85°C, 10%-95% RH		
Dimensions	5x3x1.1 inches (127x76.2x28 mm) PCB only		
Weight	0.506 lbs (0.23 Kg)		
Safety standards	UL1950, TUV EN60950 approved		
EMC standards	CISPR22 (EN55022), IEC1000-4-2,3,4,5 IEC1000-3-2, 3 verification		

Notes:

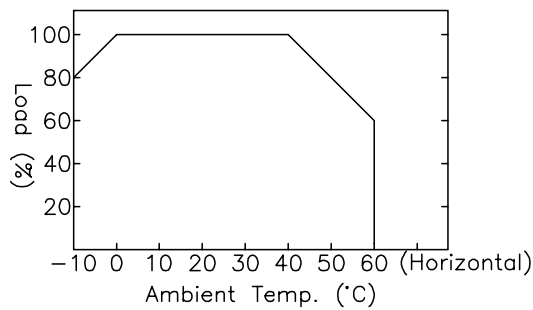
1. All parameters are specified at 230VAC input, rated load, 25°C 70% RH ambient
2. Tolerance includes set up tolerance, line regulation, load regulation
3. Ripple & noise are measured at 20MHz by using a 12" twisted pair terminated with a 0.1uF & 47 uF capacitor
4. Line regulation is measured from low line to high line at rated load
5. Output provides up to maximum current, but is related to maximum output power
6. Mounting holes M1 and M2 should be grounded for EMI purposes

V-Infinity reserves the right to make changes to its products or to discontinue any product or service without notice, and to advise customers to verify the most up-to-date product information before placing orders. V-Infinity assumes no liability or responsibility for customer's applications using V-Infinity products other than repair or replacing (at V-I's option) V-Infinity products not meeting V-I's published specifications. Nothing will be covered outside of standard product warranty.

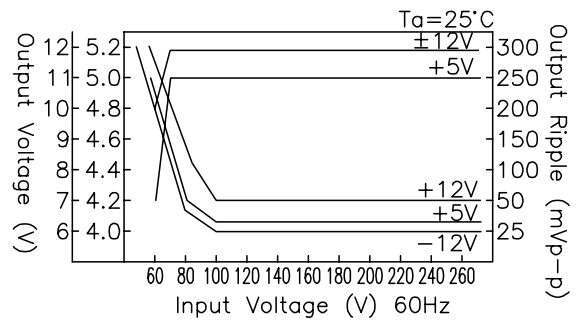
Block Diagram



Output Derating



Static Characteristics



Dimensions (mm)

Terminal Pin No. Assignment
 CN1: MOLEX 5277-02
 PIN 1,2: AC INPUT
 CN2: MOLEX 5273-06
 PIN 1: DC OUTPUT +V
 PIN 2,3: DC OUTPUT +5V
 PIN 4,5: DC OUTPUT COM
 PIN 6: DC OUTPUT -V

Mating Connectors
 CN1,2 Mating Connector type
 Molex 5195 and 5239 series
 or equivalent with Molex
 5194 and 5225 or equivalent
 crimp terminals.

