

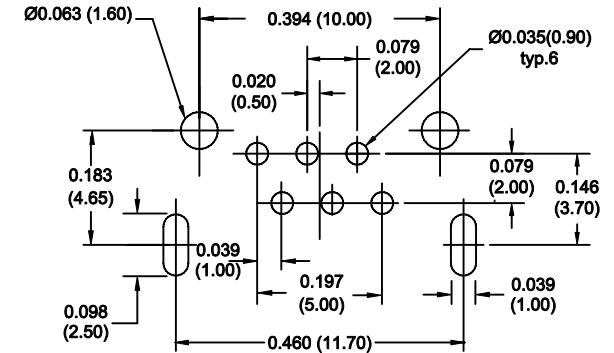
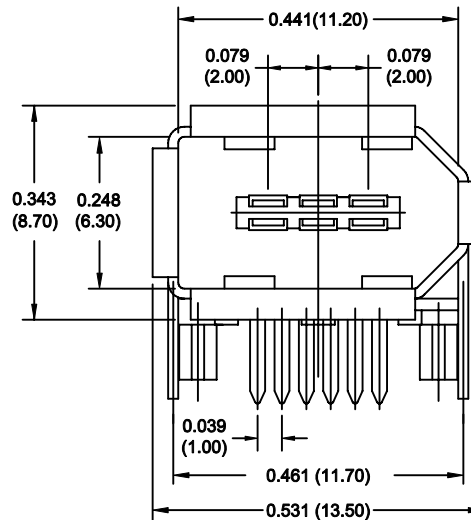
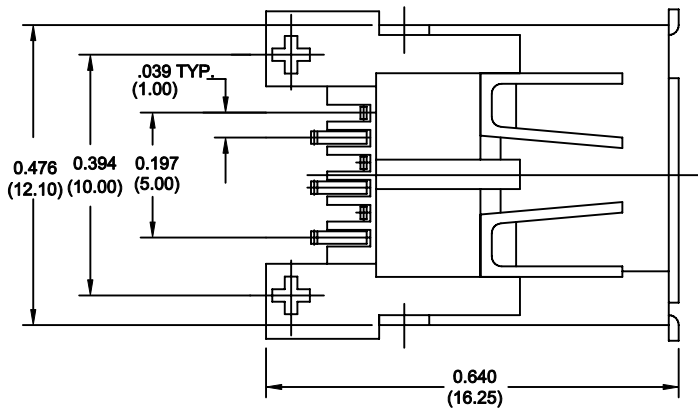
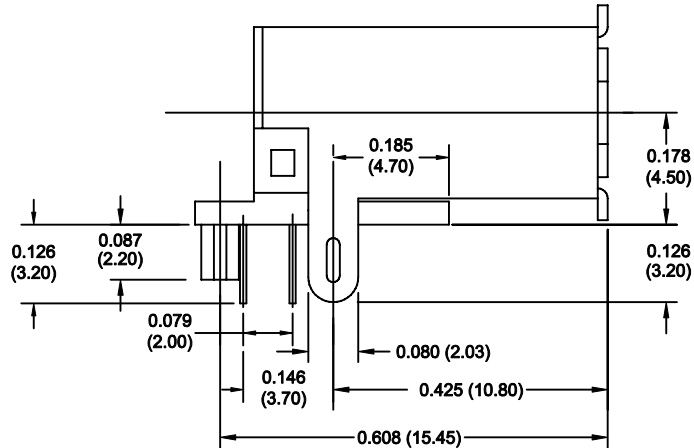
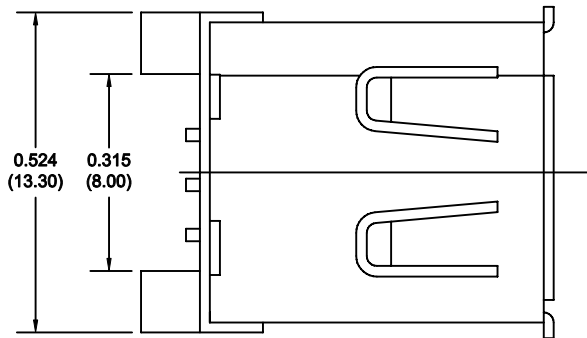
THIS IS A C.A.D. GENERATED DRAWING  
DO NOT MAKE MANUAL REVISIONS TO MASTER.



ISSUE NUMBER

ORIGINAL

①



PC BOARD MOUNTING DIMENSIONS

**MATERIALS:**

SHELL: COPPER ALLOY, TIN-LEAD PLATED

CONTACTS: COPPER ALLOY GOLD PLATE ON CONTACT AREA  
TIN ON TAIL END

GOLD FLASH 220 CONTACT CODE  
15 MICROINCHES OF GOLD 320 CONTACT CODE  
30 MICROINCHES OF GOLD 620 CONTACT CODE

INSULATOR: THERMOPLASTIC (HIGH TEMPERATURE RESISTANCE)

PART NUMBER: 693-006-220-003

CONTACT CODE \_\_\_\_\_

**IEEE 1394 R/A CONNECTOR  
(RECEPTACLE)**

ACAD REF. DWG.NO. 693-006-220-003

DRAWN. F. JAWDI

DATE. APR. 19/02

CHECKED.

DATE.

SCALE.:IN CAD 1:1

SHEET. 1 OF. 1

DRAWING NUMBER.

693-006-220-003

ISSUE

2



THIS SERIES FULLY CONFORMS TO THE  
EUROPEAN UNION DIRECTIVES 2002/95/EC  
AND 2002/96/EC FOR RoHS COMPLIANCY.



EDAC INC.  
TORONTO, ONTARIO  
CANADA

YOUR CONNECTION TO QUALITY & SERVICE

THESE DRAWINGS AND SPECIFICATIONS  
ARE THE PROPERTY OF EDAC INC. AND  
SHALL NOT BE REPRODUCED OR COPIED  
OR USED AS THE BASIS FOR THE  
MANUFACTURE OR SALE OF APPARATUS  
WITHOUT WRITTEN PERMISSION.

# Mouser Electronics

Authorized Distributor

Click to View Pricing, Inventory, Delivery & Lifecycle Information:

[EDAC:](#)

[693-006-220-003](#)