

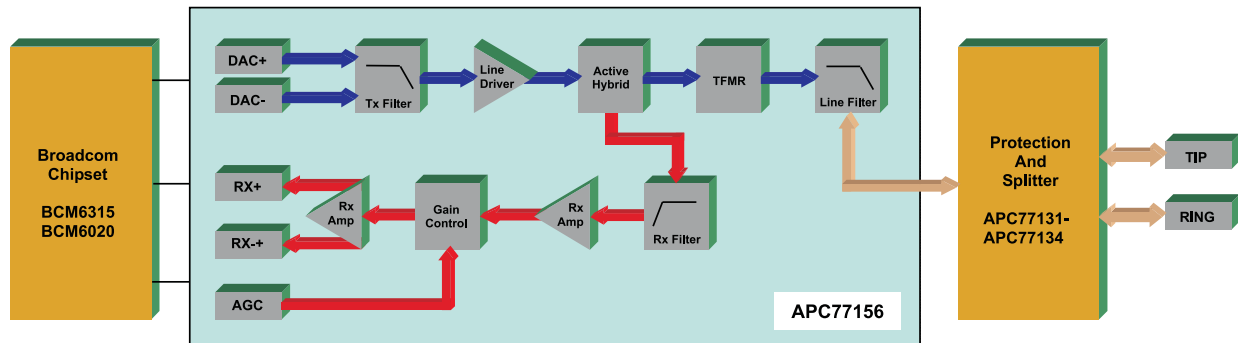
# VDSL Hybrid Module

## APC77156

### FEATURES

- Designed for Broadcom BCM6315 and BCM6020 VDSL chipsets
- Plan998 based symmetric CO design
- Includes band pass line filter, 2 wire line interface hybrid, TX and RX filters and AGC control
- 1500V line isolation transformer
- Minimum surface mount footprint for increased line card density

### BLOCK DIAGRAM

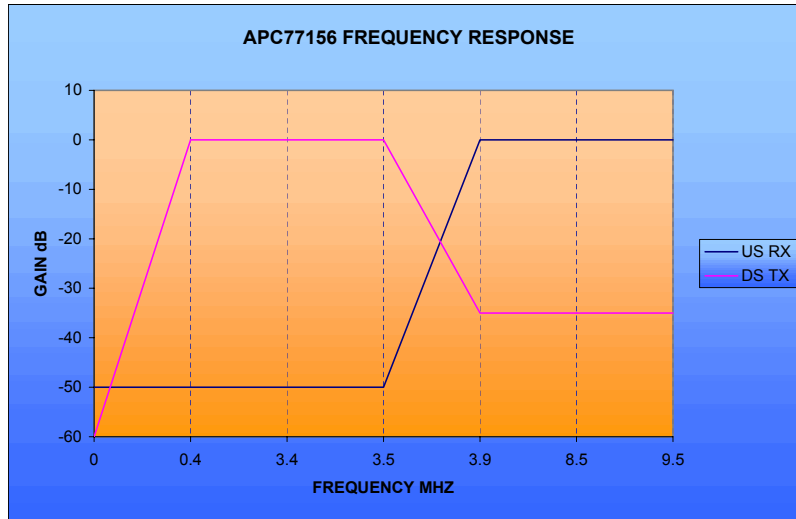


### ELECTRICAL SPECIFICATIONS@25°C

OPERATING TEMPERATURE -40°C TO +85°C

Description	Passband Freq	Stopband Freq	Attenuation min
VDSL LPF (TX)	400kHz to 3.5MHz	>3.9MHz	35dB
VDSL HPF (RX)	3.9MHz >	DC to 3.5MHz	35dB

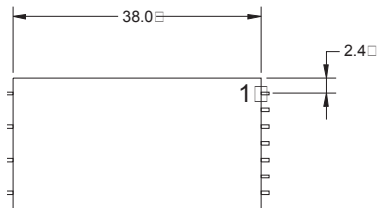
### FREQUENCY ALLOCATION



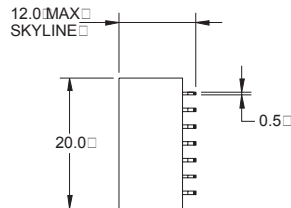
### MECHANICAL

#### APC77156

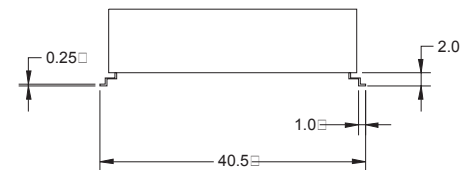
Top View



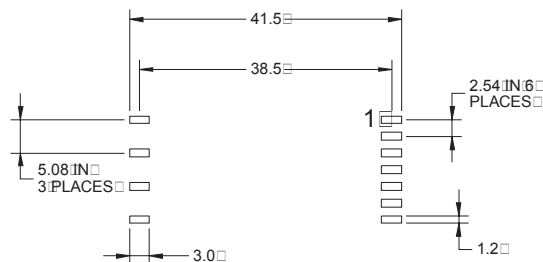
End View



Side View



Recommended PCB Layout



©2003 Bel Fuse Inc. Specifications subject to change without notice. 08.19.03

#### CORPORATE

Bel Fuse Inc.  
206 Van Vorst Street  
Jersey City, NJ 07302  
Tel 201-432-0463  
Fax 201-432-9542  
www.belfuse.com

#### FAR EAST

Bel Fuse Ltd.  
8F / 8 Luk Hop Street  
San Po Kong  
Kowloon, Hong Kong  
Tel 852-2328-5515  
Fax 852-2352-3706  
www.belfuse.com

#### EUROPE

Bel Stewart Connector  
45/46 Riverside  
Medway City Estate  
Rochester, Kent ME2 4DP U.K.  
Tel 44-1634-722890  
Fax 44-1634-716677  
www.belfuse.com