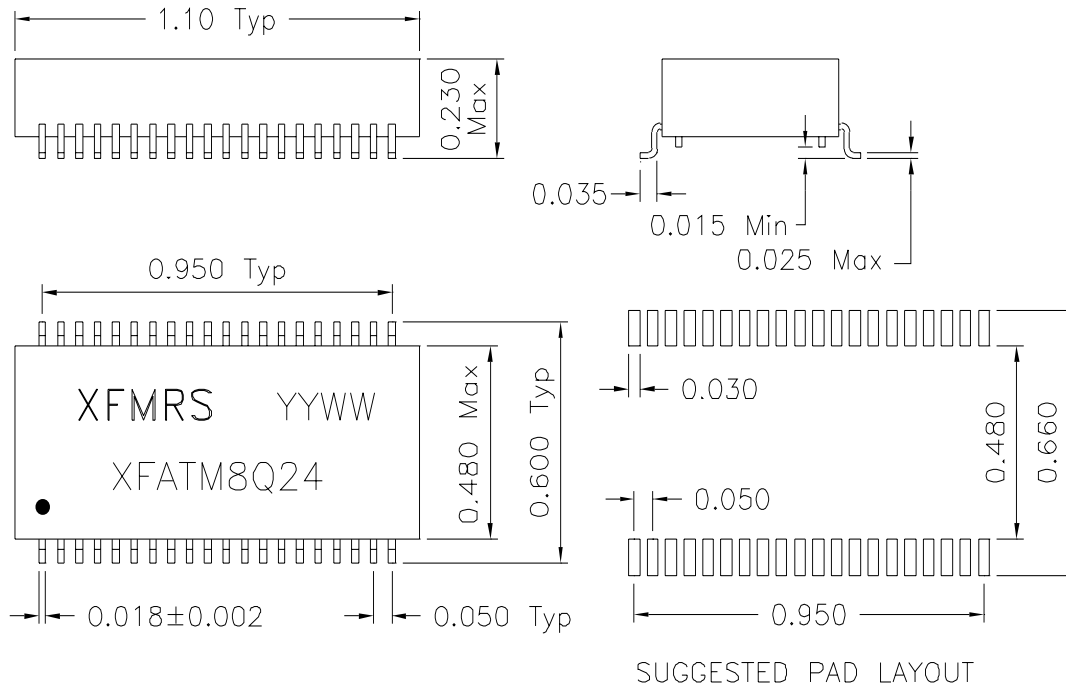
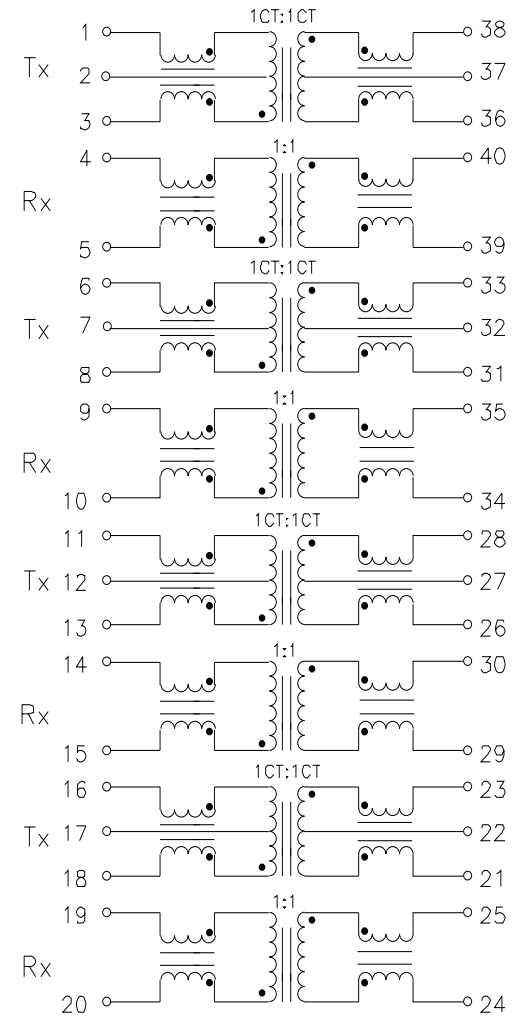


### 1. Dimensions:



### 2. Schematic:



### 3. Electrical Specifications: @25°C

Isolation Voltage: 1500 Vrms (Input to Output)

OCL: 350uH Minimum @100KHz, 100mV 8mADC

INSERTION LOSS: -0.9dB Max. @100KHz - 100MHz

RETURN LOSS (dB Typ):

100K-30MHz	30-60MHz	60-80MHz
-20dB	-17dB	-15dB

CROSSTALK (dB Typ): 1MHz	30MHz	60MHz	100MHz
-65	-50	-40	-38

Diff. to Common Mode Rejection: -40dB Typ

Common to Common Rejection Ratio: -30dB

DOC. REV: A/1

<b>XFMRS Inc</b>	Title: Quad Port 10/100BASE-TX Module		
	UNLESS OTHERWISE SPECIFIED TOLERANCES: .xxx ±0.010		Dimensions in INCH
P/N: XFATM8Q24	REV. A		
CHK.	李清儿	Jun-5-99	
APP.	孙悦	Jun-5-99	
SHEET 1 OF 1	Joe Huff	Jun-5-99	