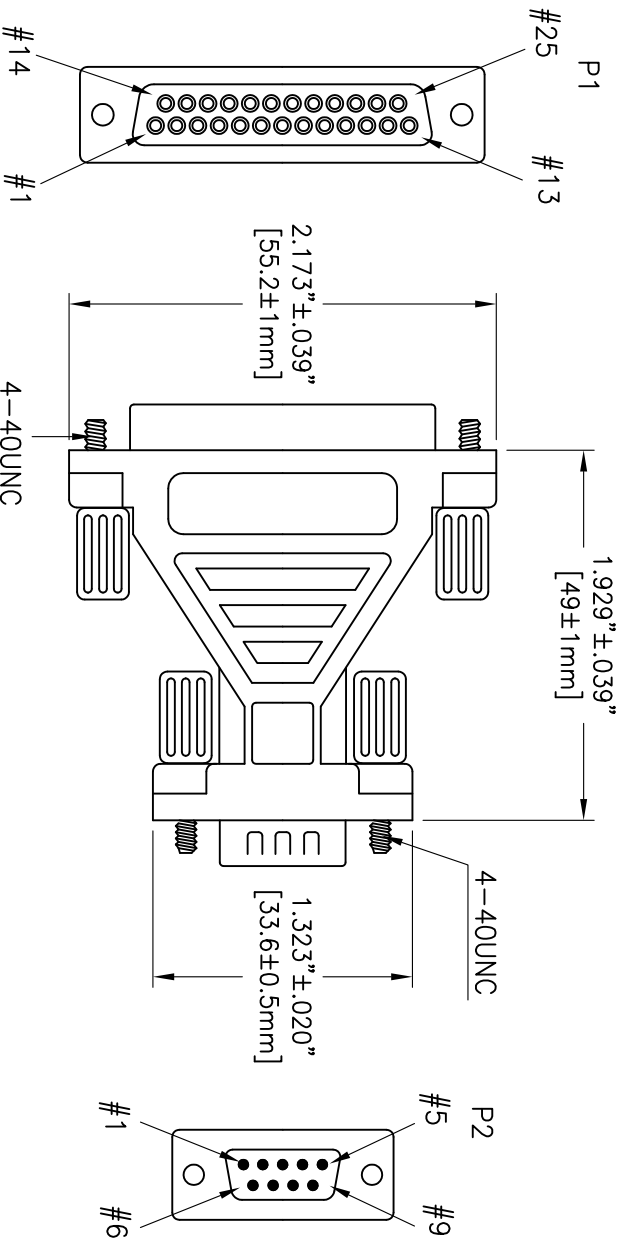


Rev	AWO #	Description	Date	Appr
-		RELEASED	5/19/11	

APPROVED: \_\_\_\_\_  
 DATE: \_\_\_\_\_ TITLE: \_\_\_\_\_

PIN ASSIGNMENT	
P1	P2
8	1
3	2
2	3
20	4
7	5
6	6
4	7
5	8
22	9
S	S



**SPECIFICATIONS:**

Connector:  
 P1=D-SUB, 25P, Female, color Blue insulator, color Black overmold.  
 P2=D-SUB, 9P, Male, color Blue insulator, color Black overmold.  
 Environmental:  
 Lead free, RoHS Compliant

UNLESS OTHERWISE SPECIFIED ALL DIMENSIONS ARE MM [INCHES] TOLERANCES: EXCEPT AS NOTED	
INCHES	HOLDS
.X ±.10	ØX ±.10
.XX ±.020	ØXX ±.015
.XXX ±.015	ØXXX ±.010
APPROVALS	DATE
DRAWN	5/19/11
CHECKED	
APPROVED	

**ADAM TECH**  
 909 Railway Avenue, Union, NJ 07083  
 Phone: 908-687-5000 Fax: 908-687-5710

TITLE  
 GENDER CHANGER, D-SUB 25PIN SOCKET  
 TO D-SUB 9PIN PLUG, COLOR BLUE INSULATOR

SIZE	PART NO.	REV.
X	GC-25S-09P-TS-BU	-
REF:	S00087T	SCALE: NTS
		SHEET 1 OF 1

6 5 4 3 2 1

A B C D