

# 74ALVC16373

## Low-Voltage 1.8/2.5/3.3 V 16-Bit Transparent Latch With 3.6 V-Tolerant Inputs and Outputs (3-State, Non-Inverting)

The 74ALVC16373 is an advanced performance, non-inverting 16-bit transparent latch. It is designed for very high-speed, very low-power operation in 1.8 V, 2.5 V or 3.3 V systems. The ALVC16373 is byte controlled, with each byte functioning identically, but independently. Each byte has separate Output Enable and Latch Enable inputs. These control pins can be tied together for full 16-bit operation.

The 74ALVC16373 contains 16 D-type latches with 3-state 3.6 V-tolerant outputs. When the Latch Enable (LEn) inputs are HIGH, data on the Dn inputs enters the latches. In this condition, the latches are transparent, (a latch output will change state each time its D input changes). When LE is LOW, the latch stores the information that was present on the D inputs a setup time preceding the HIGH-to-LOW transition of LE. The 3-state outputs are controlled by the Output Enable ( $\overline{OEn}$ ) inputs. When  $\overline{OE}$  is LOW, the outputs are enabled. When  $\overline{OE}$  is HIGH, the standard outputs are in the high impedance state, but this does not interfere with new data entering into the latches.

- Designed for Low Voltage Operation:  $V_{CC} = 1.65\text{--}3.6\text{ V}$
- 3.6V Tolerant Inputs and Outputs
- High Speed Operation:
  - 3.6 ns max for 3.0 to 3.6 V
  - 4.5 ns max for 2.3 to 2.7 V
  - 6.8 ns max for 1.65 to 1.95 V
- Static Drive:
  - $\pm 24\text{ mA}$  Drive at 3.0 V
  - $\pm 12\text{ mA}$  Drive at 2.3 V
  - $\pm 4\text{ mA}$  Drive at 1.65 V
- Supports Live Insertion and Withdrawal
- $I_{OFF}$  Specification Guarantees High Impedance When  $V_{CC} = 0\text{ V}^\dagger$
- Near Zero Static Supply Current in All Three Logic States (40  $\mu\text{A}$ ) Substantially Reduces System Power Requirements
- Latchup Performance Exceeds  $\pm 250\text{ mA}$  @ 125°C
- ESD Performance: Human Body Model >2000 V; Machine Model >200 V
- Second Source to Industry Standard 74ALVC16373

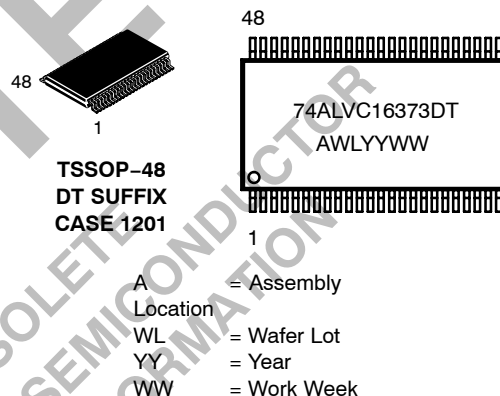
$^\dagger$ To ensure the outputs activate in the 3-state condition, the output enable pins should be connected to  $V_{CC}$  through a pull-up resistor. The value of the resistor is determined by the current sinking capability of the output connected to the OE pin.



ON Semiconductor®

<http://onsemi.com>

### MARKING DIAGRAM



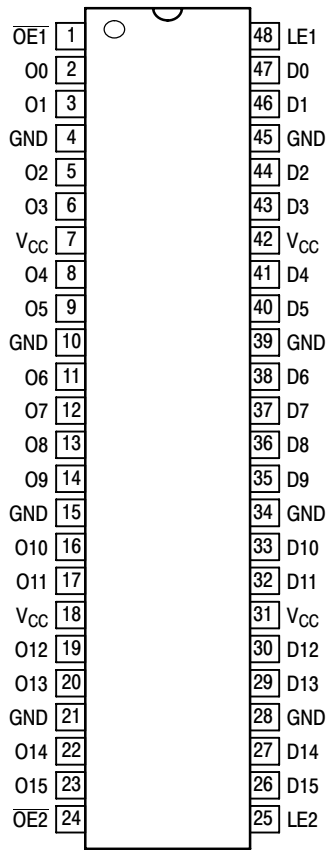
### PIN NAMES

| Pins             | Function             |
|------------------|----------------------|
| $\overline{OEn}$ | Output Enable Inputs |
| LEn              | Latch Enable Inputs  |
| D0-D15           | Inputs               |
| O0-O15           | Outputs              |

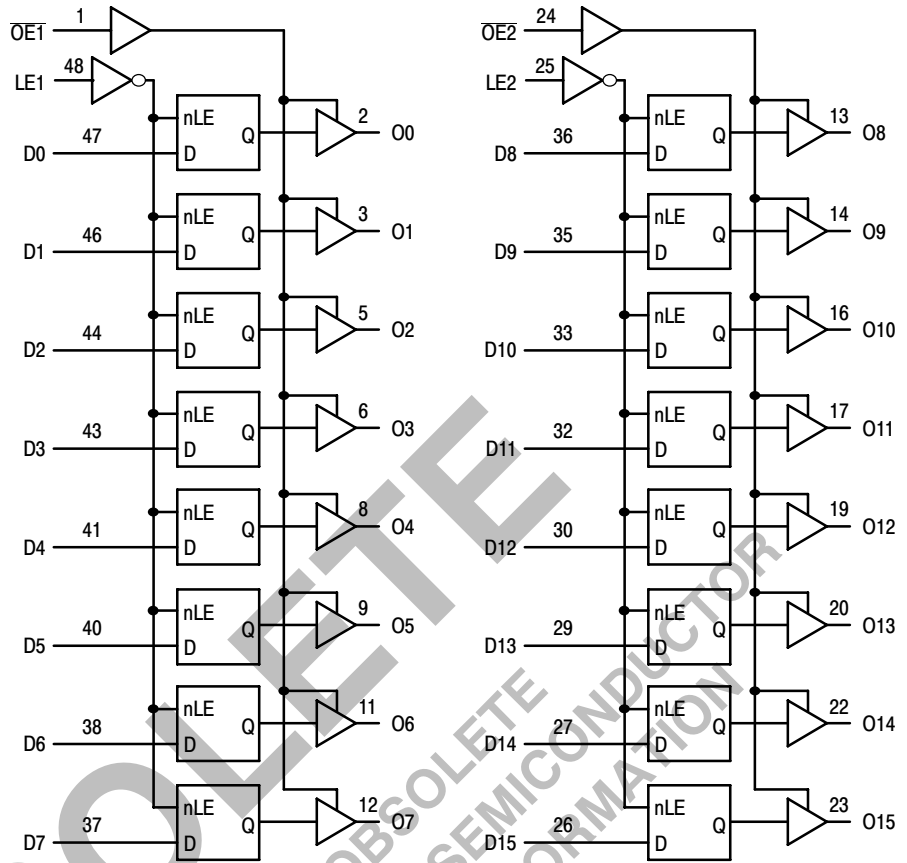
### ORDERING INFORMATION

| Device         | Package | Shipping         |
|----------------|---------|------------------|
| 74ALVC16373DTR | TSSOP   | 2500/Tape & Reel |

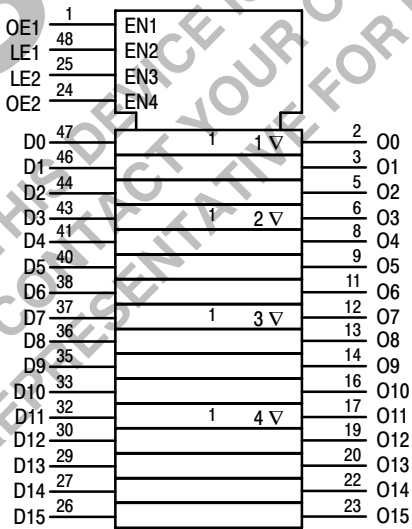
# 74ALVC16373



**Figure 1. 48-Lead Pinout (Top View)**



**Figure 2. Logic Diagram**



**Figure 3. IEC Logic Diagram**

| Inputs |     |      | Outputs | Inputs |     |       | Outputs |
|--------|-----|------|---------|--------|-----|-------|---------|
| LE1    | OE1 | D0:7 | O0:7    | LE2    | OE2 | D8:15 | O8:15   |
| X      | H   | X    | Z       | X      | H   | X     | Z       |
| H      | L   | L    | L       | H      | L   | L     | L       |
| H      | L   | H    | H       | H      | L   | H     | H       |
| L      | L   | X    | O0      | L      | L   | X     | O0      |

H = High Voltage Level; L = Low Voltage Level; Z = High Impedance State; X = High or Low Voltage Level and Transitions Are Acceptable, for I<sub>CC</sub> reasons, DO NOT FLOAT Inputs. O0 = No Change.

# 74ALVC16373

## MAXIMUM RATINGS (Note 1)

| Symbol                | Parameter   | Value                  | Unit |
|-----------------------|---|------------------------|------|
| V <sub>CC</sub>       | DC Supply Voltage   | -0.5 to +4.6           | V    |
| V <sub>I</sub>        | DC Input Voltage  | -0.5 to +4.6           | V    |
| V <sub>O</sub>        | DC Output Voltage   | -0.5 to +4.6           | V    |
| I <sub>IK</sub>       | DC Input Diode Current<br>V <sub>I</sub> < GND  | -50                    | mA   |
| I <sub>OK</sub>       | DC Output Diode Current<br>V <sub>O</sub> < GND   | -50                    | mA   |
| I <sub>O</sub>        | DC Output Sink/Source Current   | ±50                    | mA   |
| I <sub>CC</sub>       | DC Supply Current per Supply Pin  | ±100                   | mA   |
| I <sub>GND</sub>      | DC Ground Current per Ground Pin  | ±100                   | mA   |
| T <sub>STG</sub>      | Storage Temperature Range   | -65 to +150            | °C   |
| T <sub>L</sub>        | Lead Temperature, 1 mm from Case for 10 Seconds   | 260                    | °C   |
| T <sub>J</sub>        | Junction Temperature Under Bias   | +150                   | °C   |
| θ <sub>JA</sub>       | Thermal Resistance (Note 2)   | 90                     | °C/W |
| MSL                   | Moisture Sensitivity  | Level 1                |      |
| F <sub>R</sub>        | Flammability Rating<br>Oxygen Index: 30% - 35%  | UL-94 V-0 @ 0.125 in   |      |
| V <sub>ESD</sub>      | ESD Withstand Voltage<br>Human Body Model (Note 3)<br>Machine Model (Note 4)<br>Charged Device Model (Note 5) | > 2000<br>> 200<br>N/A | V    |
| I <sub>LATCH-UP</sub> | Latch-Up Performance<br>Above V <sub>CC</sub> and Below GND at 125°C (Note 6)                                 | ±250                   | mA   |

Stresses exceeding Maximum Ratings may damage the device. Maximum Ratings are stress ratings only. Functional operation above the Recommended Operating Conditions is not implied. Extended exposure to stresses above the Recommended Operating Conditions may affect device reliability.

- I<sub>O</sub> absolute maximum rating must be observed.
- Measured with minimum pad spacing on an FR4 board, using 10 mm-by-1 inch, 2-ounce copper trace with no air flow.
- Tested to EIA/JESD22-A114-A.
- Tested to EIA/JESD22-A115-A.
- Tested to JESD22-C101-A.
- Tested to EIA/JESD78.

## RECOMMENDED OPERATING CONDITIONS

| Symbol          | Parameter   | Min                 | Typ  | Max             | Unit |   |
|-----------------|---|---------------------|------|-----------------|------|---|
| V <sub>CC</sub> | Supply Voltage  | Operating           | 1.65 | 3.3             | 3.6  | V |
|                 |   | Data Retention Only | 1.2  | 3.3             | 3.6  |   |
| V <sub>I</sub>  | Input Voltage<br>(Note 7)   | -0.5                |      | 3.6             | V    |   |
| V <sub>O</sub>  | Output Voltage<br>(Active State)<br>(3-State)   | 0                   |      | V <sub>CC</sub> | V    |   |
|                 |   | 0                   |      | 3.6             |      |   |
| T <sub>A</sub>  | Operating Free-Air Temperature  | -40                 |      | +85             | °C   |   |
| Δt/ΔV           | Input Transition Rise or Fall Rate, V <sub>IN</sub> from 0.8 V to 2.0 V, V <sub>CC</sub> = 2.5 V ±0.2 V<br>V <sub>CC</sub> = 3.0 V ±0.3 V | 0                   |      | 20              | ns/V |   |
|                 |   | 0                   |      | 10              |      |   |

- Unused inputs may not be left open. All inputs must be tied to a high-logic voltage level or a low-logic input voltage level.

# 74ALVC16373

## DC ELECTRICAL CHARACTERISTICS

| Symbol           | Characteristic                        | Condition  | T <sub>A</sub> = -40°C to +85°C |                        | Unit |
|------------------|---------------------------------------|--|---------------------------------|------------------------|------|
|                  |                                       |  | Min                             | Max                    |      |
| V <sub>IH</sub>  | HIGH Level Input Voltage (Note 8)     | 1.65 V ≤ V <sub>CC</sub> < 2.3 V   | 0.65 x V <sub>CC</sub>          |                        | V    |
|                  |                                       | 2.3 V ≤ V <sub>CC</sub> ≤ 2.7 V  | 1.7                             |                        |      |
|                  |                                       | 2.7 V < V <sub>CC</sub> ≤ 3.6 V  | 2.0                             |                        |      |
| V <sub>IL</sub>  | LOW Level Input Voltage (Note 8)      | 1.65 V ≤ V <sub>CC</sub> < 2.3 V   |                                 | 0.35 x V <sub>CC</sub> | V    |
|                  |                                       | 2.3 V ≤ V <sub>CC</sub> ≤ 2.7 V  |                                 | 0.7                    |      |
|                  |                                       | 2.7 V < V <sub>CC</sub> ≤ 3.6 V  |                                 | 0.8                    |      |
| V <sub>OH</sub>  | HIGH Level Output Voltage             | 1.65 V ≤ V <sub>CC</sub> ≤ 3.6 V; I <sub>OH</sub> = -100 μA  | V <sub>CC</sub> - 0.2           |                        | V    |
|                  |                                       | V <sub>CC</sub> = 1.65 V; I <sub>OH</sub> = -4 mA  | 1.2                             |                        |      |
|                  |                                       | V <sub>CC</sub> = 2.3 V; I <sub>OH</sub> = -6 mA   | 2.0                             |                        |      |
|                  |                                       | V <sub>CC</sub> = 2.3 V; I <sub>OH</sub> = -12 mA  | 1.7                             |                        |      |
|                  |                                       | V <sub>CC</sub> = 2.7 V; I <sub>OH</sub> = -12 mA  | 2.2                             |                        |      |
|                  |                                       | V <sub>CC</sub> = 3.0 V; I <sub>OH</sub> = -12 mA  | 2.4                             |                        |      |
|                  |                                       | V <sub>CC</sub> = 3.0 V; I <sub>OH</sub> = -24 mA  | 2.0                             |                        |      |
| V <sub>OL</sub>  | LOW Level Output Voltage              | 1.65 V ≤ V <sub>CC</sub> ≤ 3.6 V; I <sub>OL</sub> = 100 μA   |                                 | 0.2                    | V    |
|                  |                                       | V <sub>CC</sub> = 1.65 V; I <sub>OL</sub> = 4 mA   |                                 | 0.45                   |      |
|                  |                                       | V <sub>CC</sub> = 2.3 V; I <sub>OL</sub> = 6 mA  |                                 | 0.4                    |      |
|                  |                                       | V <sub>CC</sub> = 2.3 V; I <sub>OL</sub> = 12 mA   |                                 | 0.7                    |      |
|                  |                                       | V <sub>CC</sub> = 2.7 V; I <sub>OL</sub> = 12 mA   |                                 | 0.4                    |      |
|                  |                                       | V <sub>CC</sub> = 3.0 V; I <sub>OL</sub> = 24 mA   |                                 | 0.55                   |      |
| I <sub>I</sub>   | Input Leakage Current                 | 1.65 V ≤ V <sub>CC</sub> ≤ 3.6 V; 0 V ≤ V <sub>I</sub> ≤ 3.6 V   |                                 | ±5.0                   | μA   |
| I <sub>OZ</sub>  | 3-State Output Current                | 1.65 V ≤ V <sub>CC</sub> ≤ 3.6 V; 0 V ≤ V <sub>O</sub> ≤ 3.6 V;<br>V <sub>I</sub> = V <sub>IH</sub> or V <sub>IL</sub> |                                 | ±10                    | μA   |
| I <sub>OFF</sub> | Power-Off Leakage Current             | V <sub>CC</sub> = 0 V; V <sub>I</sub> or V <sub>O</sub> = 3.6 V  |                                 | 10                     | μA   |
| I <sub>CC</sub>  | Quiescent Supply Current (Note 9)     | 1.65 V ≤ V <sub>CC</sub> ≤ 3.6 V; V <sub>I</sub> = GND or V <sub>CC</sub>  |                                 | 40                     | μA   |
|                  |                                       | 1.65 V ≤ V <sub>CC</sub> ≤ 3.6 V; 3.6 V ≤ V <sub>I</sub> , V <sub>O</sub> ≤ 3.6 V                                      |                                 | ±40                    | μA   |
| ΔI <sub>CC</sub> | Increase in I <sub>CC</sub> per Input | 2.7 V < V <sub>CC</sub> ≤ 3.6 V; V <sub>IH</sub> = V <sub>CC</sub> - 0.6 V   |                                 | 750                    | μA   |

8. These values of V<sub>I</sub> are used to test DC electrical characteristics only.

9. Outputs disabled or 3-state only.

# 74ALVC16373

## AC CHARACTERISTICS (Note 10; $t_R = t_F = 2.0$ ns; $C_L = 30$ pF; $R_L = 500$ $\Omega$ )

| Symbol                   | Parameter                                      | Waveform | Limits  |            |  |            |  |              | Unit |
|--------------------------|--|----------|---|------------|--|------------|--|--------------|------|
|                          |  |          | $T_A = -40^\circ\text{C to } +85^\circ\text{C}$ |            |  |            |  |              |      |
|                          |  |          | $V_{CC} = 3.0\text{ V to } 3.6\text{ V}$        |            | $V_{CC} = 2.3\text{ V to } 2.7\text{ V}$ |            | $V_{CC} = 1.65\text{ to } 1.95\text{ V}$ |              |      |
|                          |  |          | Min   | Max        | Min                                      | Max        | Min                                      | Max          |      |
| $t_{PLH}$<br>$t_{PHL}$   | Propagation Delay<br>Dn to On                  | 1        | 1.1<br>1.1                                      | 3.6<br>3.6 | 1.0<br>1.0                               | 4.5<br>4.5 | 1.5<br>1.5                               | 6.8<br>6.8   | ns   |
| $t_{PLH}$<br>$t_{PHL}$   | Propagation Delay<br>LE to On                  | 1        | 1.0<br>1.0                                      | 3.9<br>3.9 | 1.0<br>1.0                               | 4.9<br>4.9 | 1.5<br>1.5                               | 7.8<br>7.8   | ns   |
| $t_{PZH}$<br>$t_{PZL}$   | Output Enable Time to<br>High and Low Level    | 2        | 1.0<br>1.0                                      | 4.7<br>4.7 | 1.0<br>1.0                               | 6.0<br>6.0 | 1.5<br>1.5                               | 9.2<br>9.2   | ns   |
| $t_{PHZ}$<br>$t_{PLZ}$   | Output Disable Time From<br>High and Low Level | 2        | 1.4<br>1.4                                      | 4.1<br>4.1 | 1.2<br>1.2                               | 5.1<br>5.1 | 1.5<br>1.5                               | 6.8<br>6.8   | ns   |
| $t_s$                    | Setup Time, High or Low Dn to LE               | 3        | 1.1   |            | 1.0                                      |            | 2.5                                      |              | ns   |
| $t_h$                    | Hold Time, High or Low Dn to LE                | 3        | 1.4   |            | 1.5                                      |            | 1.0                                      |              | ns   |
| $t_w$                    | LE Pulse Width, High                           | 3        | 3.3   |            | 3.3                                      |            | 4.0                                      |              | ns   |
| $t_{OSHL}$<br>$t_{OSLH}$ | Output-to-Output Skew<br>(Note 11)             |          |   | 0.5<br>0.5 |  | 0.5<br>0.5 |  | 0.75<br>0.75 | ns   |

10. For  $C_L = 50$  pF, add approximately 300 ps to the AC maximum specification.

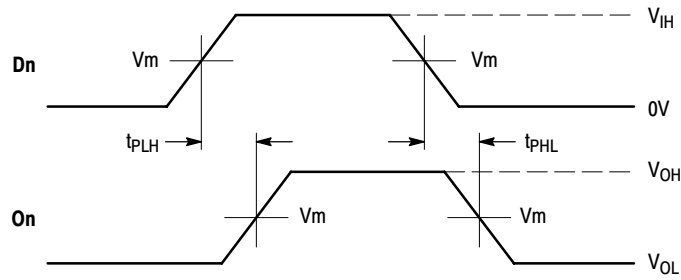
11. Skew is defined as the absolute value of the difference between the actual propagation delay for any two separate outputs of the same device. The specification applies to any outputs switching in the same direction, either HIGH-to-LOW ( $t_{OSHL}$ ) or LOW-to-HIGH ( $t_{OSLH}$ ); parameter guaranteed by design.

## CAPACITIVE CHARACTERISTICS

| Symbol    | Parameter                     | Condition       | Typical | Unit |
|-----------|-------------------------------|-----------------|---------|------|
| $C_{IN}$  | Input Capacitance             | Note 12         | 6       | pF   |
| $C_{OUT}$ | Output Capacitance            | Note 12         | 7       | pF   |
| $C_{PD}$  | Power Dissipation Capacitance | Note 12, 10 MHz | 20      | pF   |

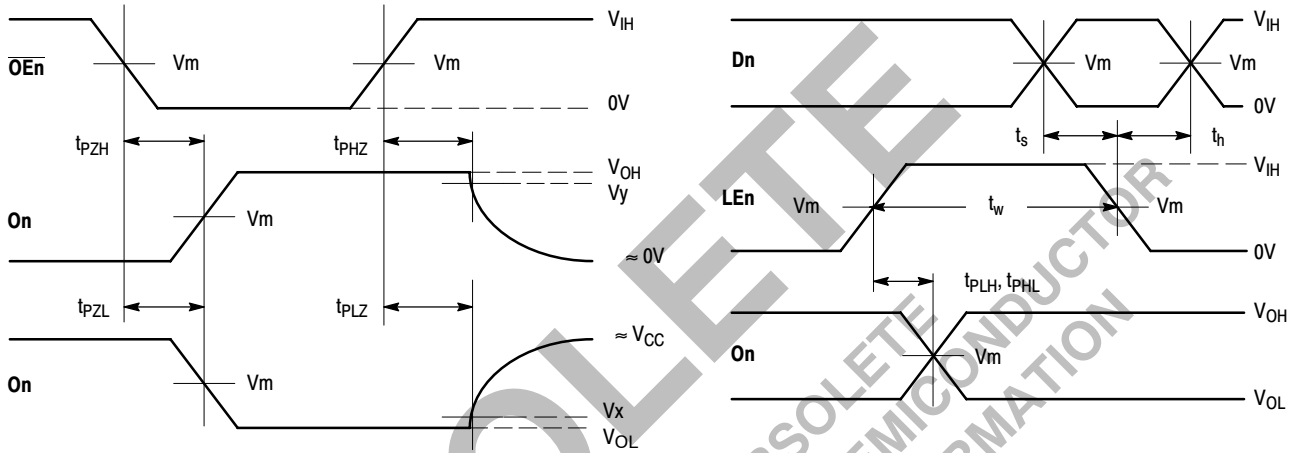
12.  $V_{CC} = 1.8, 2.5$  or  $3.3$  V;  $V_I = 0$  V or  $V_{CC}$ .

# 74ALVC16373



**WAVEFORM 1 - PROPAGATION DELAYS**  
 $t_R = t_F = 2.0\text{ns}$ , 10% to 90%;  $f = 1\text{MHz}$ ;  $t_W = 500\text{ns}$

**Figure 4. AC Waveforms**



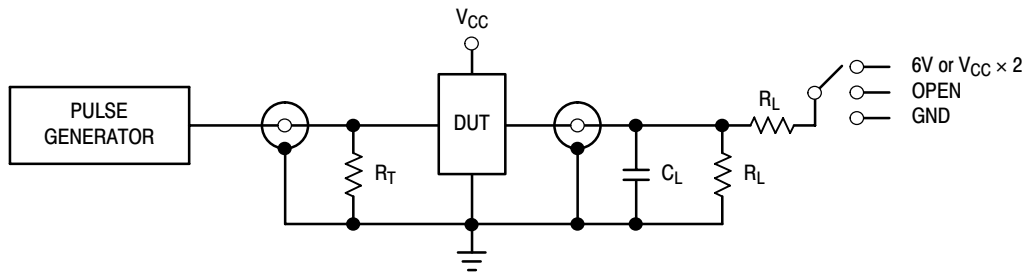
**WAVEFORM 2 - OUTPUT ENABLE AND DISABLE TIMES**  
 $t_R = t_F = 2.0\text{ns}$ , 10% to 90%;  $f = 1\text{MHz}$ ;  $t_W = 500\text{ns}$

**WAVEFORM 3 - LE to On PROPAGATION DELAYS, LE MINIMUM PULSE WIDTH, Dn to LE SETUP AND HOLD TIMES**  
 $t_R = t_F = 2.0\text{ns}$ , 10% to 90%;  $f = 1\text{MHz}$ ;  $t_W = 500\text{ns}$  except when noted

**Figure 5. AC Waveforms**

| Symbol   | $V_{CC}$        |                  |                  |
|----------|-----------------|------------------|------------------|
|          | 3.3V $\pm 0.3V$ | 2.5V $\pm 0.2V$  | 1.8V $\pm 0.15V$ |
| $V_{IH}$ | 2.7V            | $V_{CC}$         | $V_{CC}$         |
| $V_m$    | 1.5V            | $V_{CC}/2$       | $V_{CC}/2$       |
| $V_x$    | $V_{OL} + 0.3V$ | $V_{OL} + 0.15V$ | $V_{OL} + 0.15V$ |
| $V_y$    | $V_{OH} - 0.3V$ | $V_{OH} - 0.15V$ | $V_{OH} - 0.15V$ |

# 74ALVC16373



| TEST                  | SWITCH  |
|-----------------------|---|
| $t_{PLH}$ , $t_{PHL}$ | Open  |
| $t_{PZL}$ , $t_{PLZ}$ | 6 V at $V_{CC} = 3.3 \pm 0.3$ V;<br>$V_{CC} \times 2$ at $V_{CC} = 2.5 \pm 0.2$ V; 1.8 V $\pm 0.15$ V |
| $t_{PZH}$ , $t_{PHZ}$ | GND   |

$C_L = 30$  pF or equivalent (Includes jig and probe capacitance)  
 $R_L = 500 \Omega$  or equivalent  
 $R_T = Z_{OUT}$  of pulse generator (typically  $50 \Omega$ )

**Figure 6. Test Circuit**

OBSOLETE  
 THIS DEVICE IS OBSOLETE  
 PLEASE CONTACT YOUR ON SEMICONDUCTOR  
 REPRESENTATIVE FOR INFORMATION

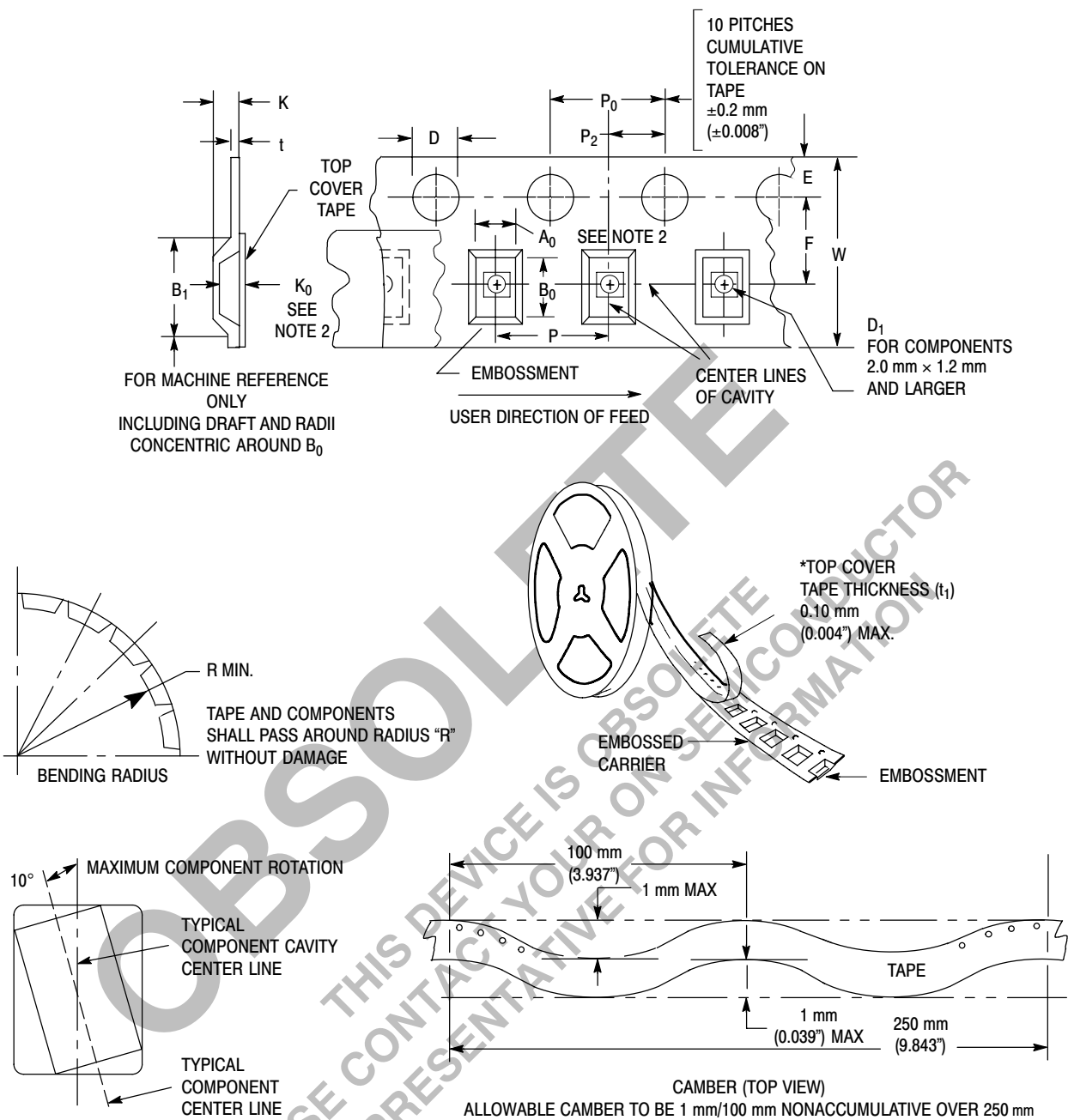


Figure 7. Carrier Tape Specifications

**EMBOSSSED CARRIER DIMENSIONS** (See Notes 1 and 2)

| Tape Size | B <sub>1</sub> Max | D  | D <sub>1</sub>           | E                                     | F                                      | K                          | P                                    | P <sub>0</sub>                       | P <sub>2</sub>                       | R                | T                  | W                   |
|-----------|--------------------|--|--------------------------|---------------------------------------|--|----------------------------|--------------------------------------|--------------------------------------|--------------------------------------|------------------|--------------------|---------------------|
| 24mm      | 20.1mm<br>(0.791") | 1.5 + 0.1mm<br>-0.0<br>(0.059<br>+0.004" -0.0) | 1.5mm<br>Min<br>(0.060") | 1.75<br>±0.1 mm<br>(0.069<br>±0.004") | 11.5<br>±0.10 mm<br>(0.453<br>±0.004") | 11.9 mm<br>Max<br>(0.468") | 16.0<br>±0.1 mm<br>(0.63<br>±0.004") | 4.0<br>±0.1 mm<br>(0.157<br>±0.004") | 2.0<br>±0.1 mm<br>(0.079<br>±0.004") | 30 mm<br>(1.18") | 0.6 mm<br>(0.024") | 24.3 mm<br>(0.957") |

1. Metric Dimensions Govern—English are in parentheses for reference only.
2. A<sub>0</sub>, B<sub>0</sub>, and K<sub>0</sub> are determined by component size. The clearance between the components and the cavity must be within 0.05 mm min to 0.50 mm max. The component cannot rotate more than 10° within the determined cavity.



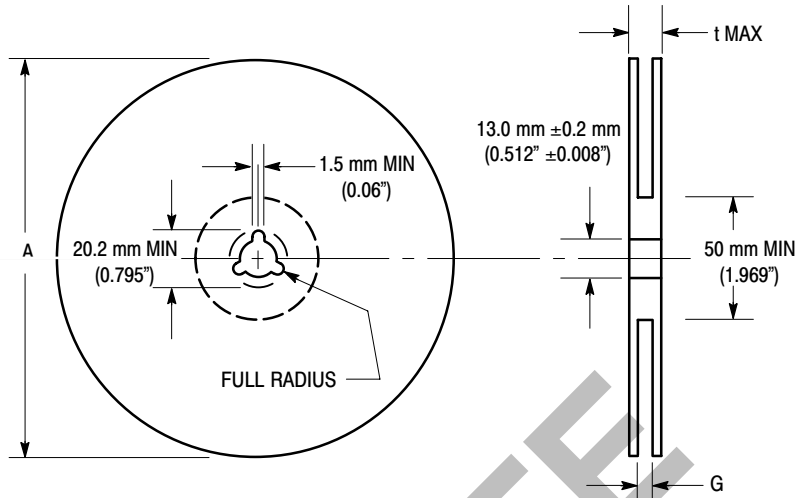


Figure 8. Reel Dimensions

REEL DIMENSIONS

| Tape Size | A Max               | G  | t Max               |
|-----------|---------------------|--|---------------------|
| 24 mm     | 360 mm<br>(14.173") | 24.4 mm + 2.0 mm, -0.0<br>(0.961" + 0.078", -0.00) | 30.4 mm<br>(1.197") |

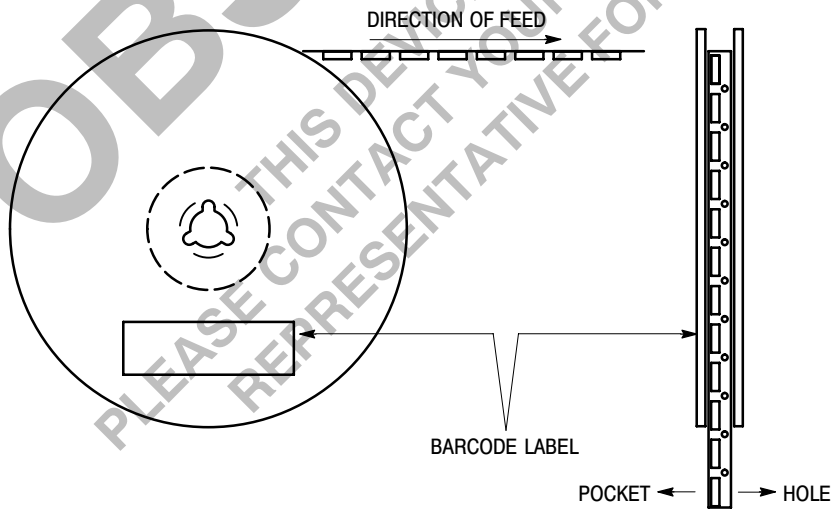


Figure 9. Reel Winding Direction

74ALVC16373

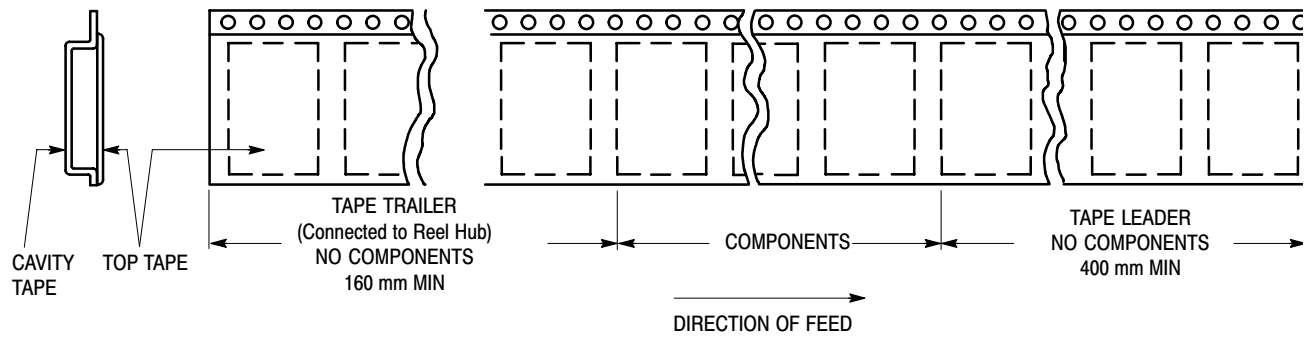


Figure 10. Tape Ends for Finished Goods

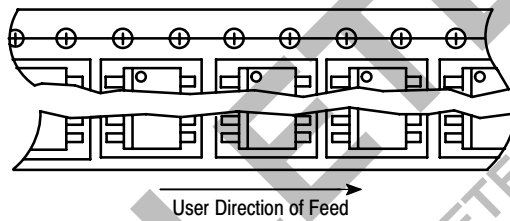


Figure 11. Reel Configuration

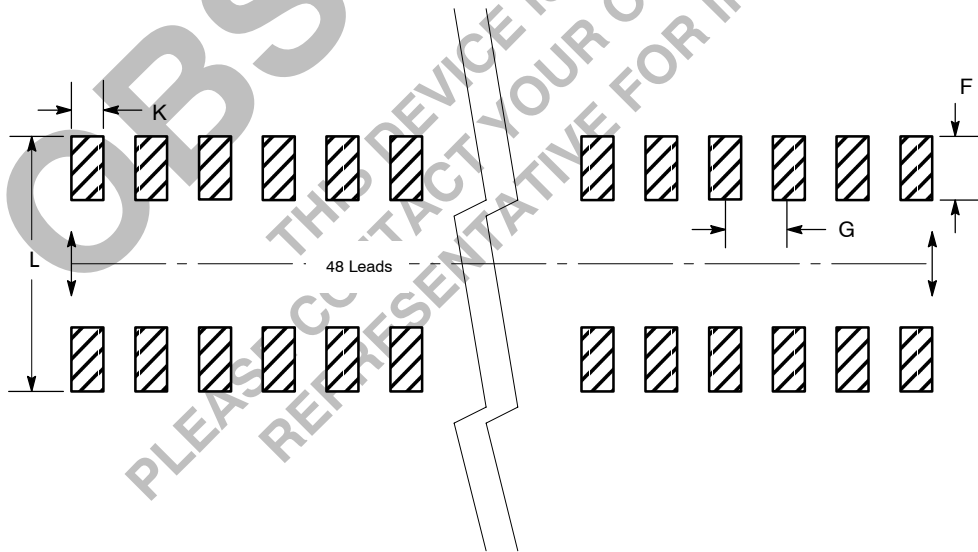
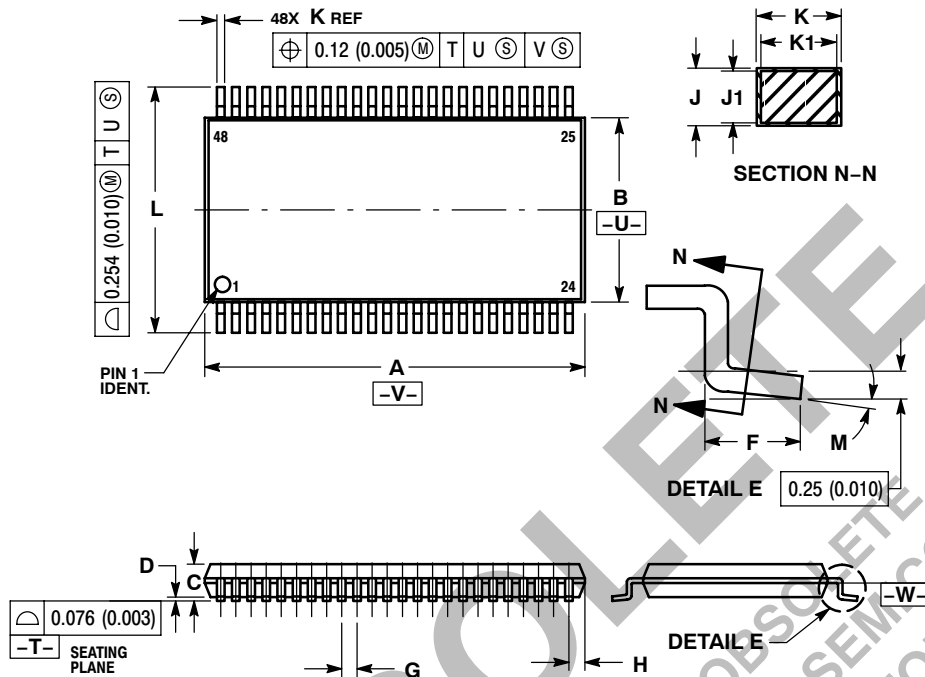


Figure 12. Package Footprint

# 74ALVC16373

## PACKAGE DIMENSIONS

TSSOP  
DT SUFFIX  
CASE 1201-01  
ISSUE A



**NOTES:**

1. DIMENSIONING AND TOLERANCING PER ANSI Y14.5M, 1982.
2. CONTROLLING DIMENSION: MILLIMETER.
3. DIMENSIONS A AND B DO NOT INCLUDE MOLD FLASH, PROTRUSIONS OR GATE BURRS. MOLD FLASH OR GATE BURRS SHALL NOT EXCEED 0.15 (0.006) PER SIDE.
4. DIMENSION K DOES NOT INCLUDE DAMBAR PROTRUSION. ALLOWABLE DAMBAR PROTRUSION SHALL BE 0.08 (0.003) TOTAL IN EXCESS OF THE K DIMENSION AT MAXIMUM MATERIAL CONDITION.
5. TERMINAL NUMBERS ARE SHOWN FOR REFERENCE ONLY.
6. DIMENSIONS A AND B ARE TO BE DETERMINED AT DATUM PLANE -W-.

| DIM | MILLIMETERS |       | INCHES     |       |
|-----|-------------|-------|------------|-------|
|     | MIN         | MAX   | MIN        | MAX   |
| A   | 12.40       | 12.60 | 0.488      | 0.496 |
| B   | 6.00        | 6.20  | 0.236      | 0.244 |
| C   | ---         | 1.10  | ---        | 0.043 |
| D   | 0.05        | 0.15  | 0.002      | 0.006 |
| F   | 0.50        | 0.75  | 0.020      | 0.030 |
| G   | 0.50 BSC    |       | 0.0197 BSC |       |
| H   | 0.37        | ---   | 0.015      | ---   |
| J   | 0.09        | 0.20  | 0.004      | 0.008 |
| J1  | 0.09        | 0.16  | 0.004      | 0.006 |
| K   | 0.17        | 0.27  | 0.007      | 0.011 |
| K1  | 0.17        | 0.23  | 0.007      | 0.009 |
| L   | 7.95        | 8.25  | 0.313      | 0.325 |
| M   | 0°          | 8°    | 0°         | 8°    |

ON Semiconductor and are registered trademarks of Semiconductor Components Industries, LLC (SCILLC). SCILLC reserves the right to make changes without further notice to any products herein. SCILLC makes no warranty, representation or guarantee regarding the suitability of its products for any particular purpose, nor does SCILLC assume any liability arising out of the application or use of any product or circuit, and specifically disclaims any and all liability, including without limitation special, consequential or incidental damages. "Typical" parameters which may be provided in SCILLC data sheets and/or specifications can and do vary in different applications and actual performance may vary over time. All operating parameters, including "Typicals" must be validated for each customer application by customer's technical experts. SCILLC does not convey any license under its patent rights nor the rights of others. SCILLC products are not designed, intended, or authorized for use as components in systems intended for surgical implant into the body, or other applications intended to support or sustain life, or for any other application in which the failure of the SCILLC product could create a situation where personal injury or death may occur. Should Buyer purchase or use SCILLC products for any such unintended or unauthorized application, Buyer shall indemnify and hold SCILLC and its officers, employees, subsidiaries, affiliates, and distributors harmless against all claims, costs, damages, and expenses, and reasonable attorney fees arising out of, directly or indirectly, any claim of personal injury or death associated with such unintended or unauthorized use, even if such claim alleges that SCILLC was negligent regarding the design or manufacture of the part. SCILLC is an Equal Opportunity/Affirmative Action Employer. This literature is subject to all applicable copyright laws and is not for resale in any manner.

### PUBLICATION ORDERING INFORMATION

**LITERATURE FULFILLMENT:**  
Literature Distribution Center for ON Semiconductor  
P.O. Box 5163, Denver, Colorado 80217 USA  
**Phone:** 303-675-2175 or 800-344-3860 Toll Free USA/Canada  
**Fax:** 303-675-2176 or 800-344-3867 Toll Free USA/Canada  
**Email:** orderlit@onsemi.com

**N. American Technical Support:** 800-282-9855 Toll Free USA/Canada  
**Europe, Middle East and Africa Technical Support:**  
Phone: 421 33 790 2910  
**Japan Customer Focus Center**  
Phone: 81-3-5773-3850

**ON Semiconductor Website:** [www.onsemi.com](http://www.onsemi.com)  
**Order Literature:** <http://www.onsemi.com/orderlit>

For additional information, please contact your local Sales Representative