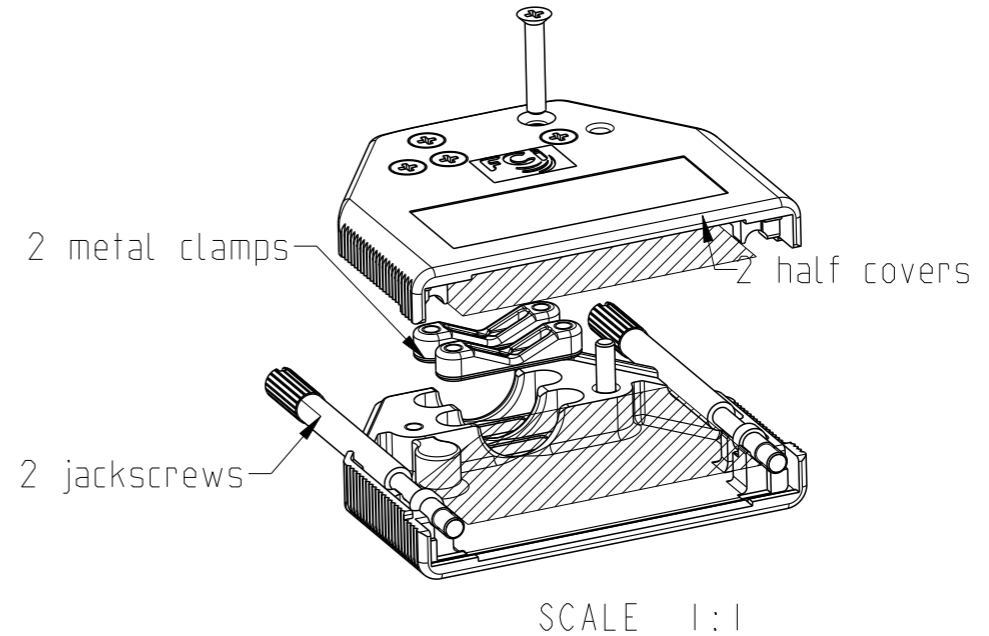
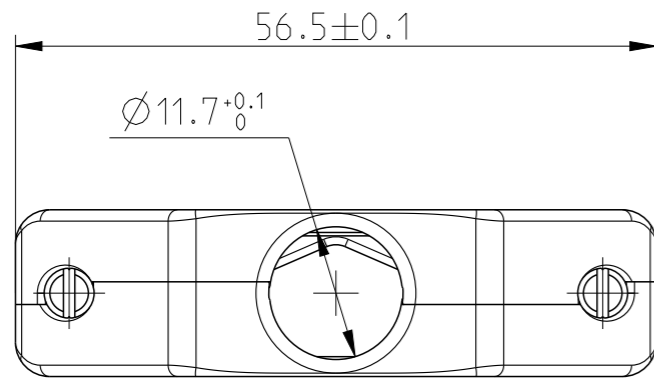


SIZE	Part Number	Jack Screw Thread	Packing
25	8655MH2501LF	UNC 4-40	bulk : Qty 60
	8655MH2511LF		individual set 50 sets/carton
	8655MH2502LF	M3	bulk : Qty 60
	8655MH2512LF		individual set 50 sets/carton

NOTE:RoHS INFORMATIONS

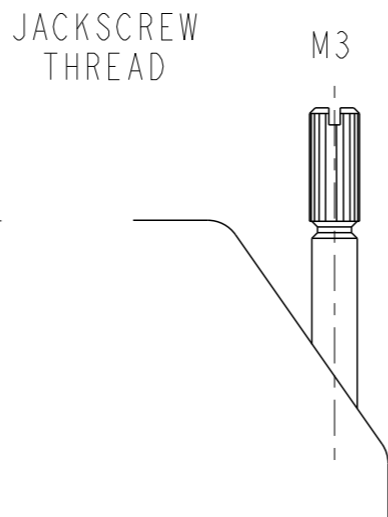
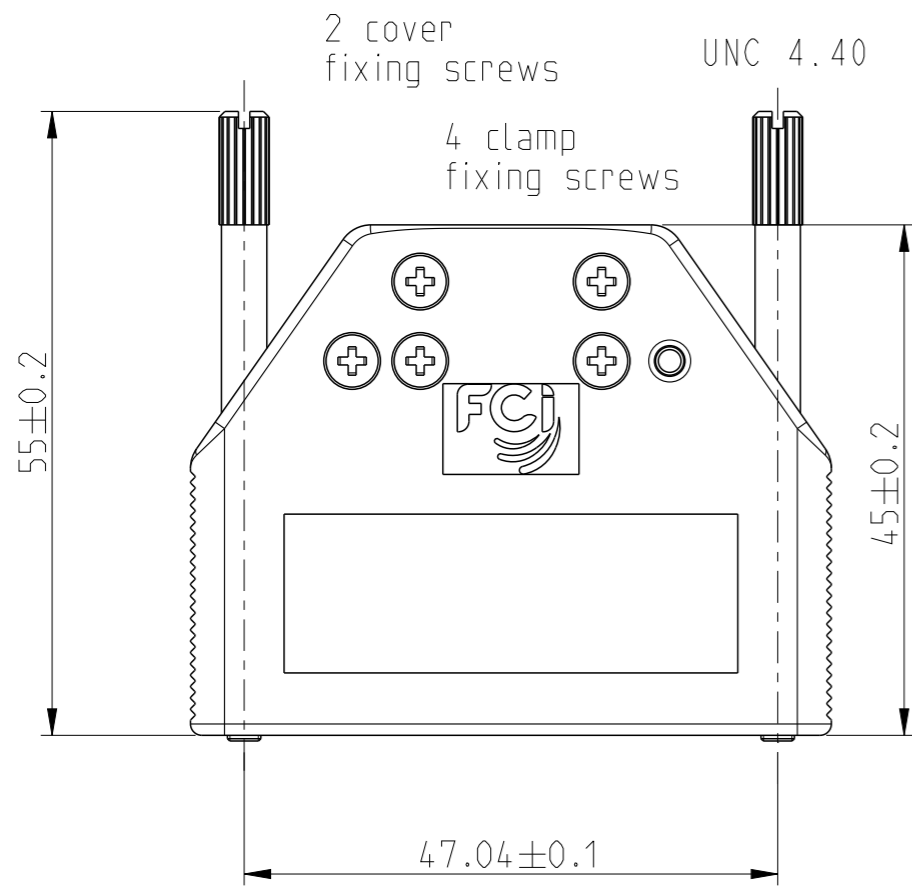
-The LF product meets European union Directives and other country regulations as described in GS-22-009  
 -The product is not intended to be exposed to a manufacturing solder process  
 -Packaging spec:see GS-14-920



NOTES : for every sizes

Material and finish : Zinc die-cast  
 nickel plated  
 Cable strain relief : Zinc die-cast  
 Jackscrew : Brass, nickel plated  
 UNC 4-40 or M3 (see tables)  
 Temperature range : -55°C to +125°C  
 Attenuation factor : >40 dB between 10 MHz

Other size details : see on next pages.



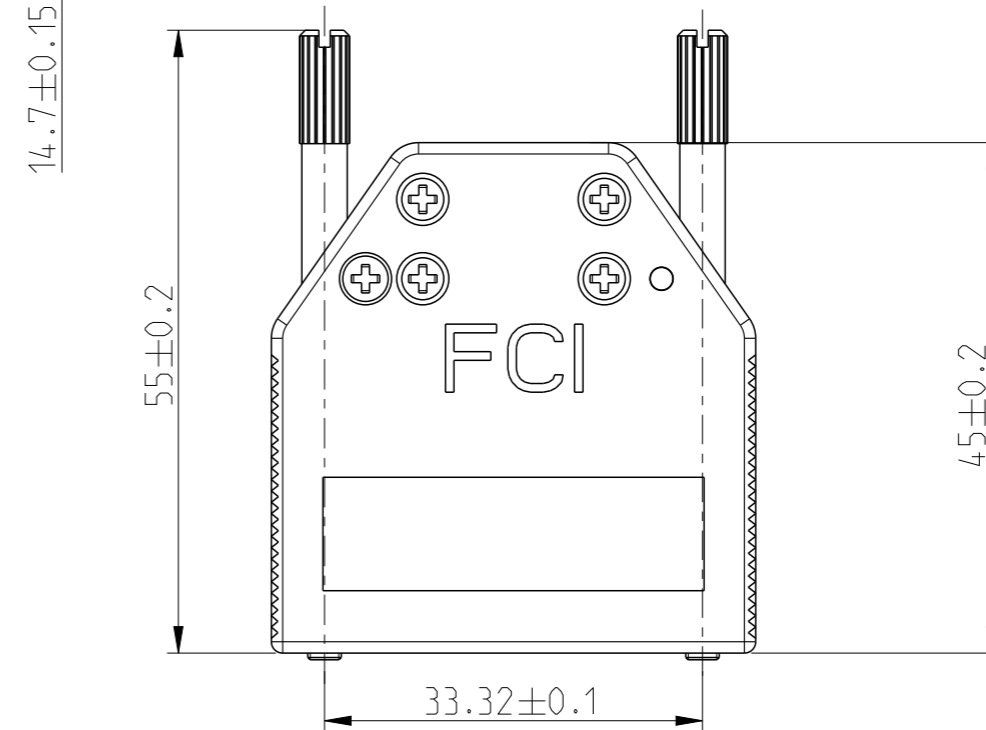
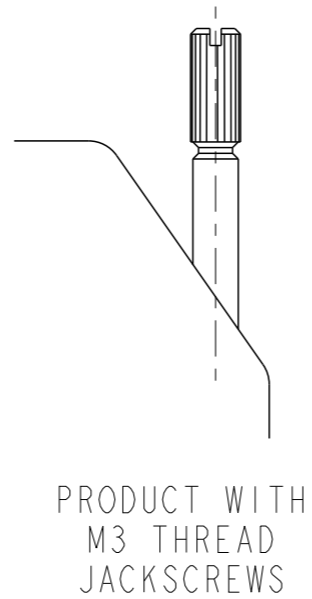
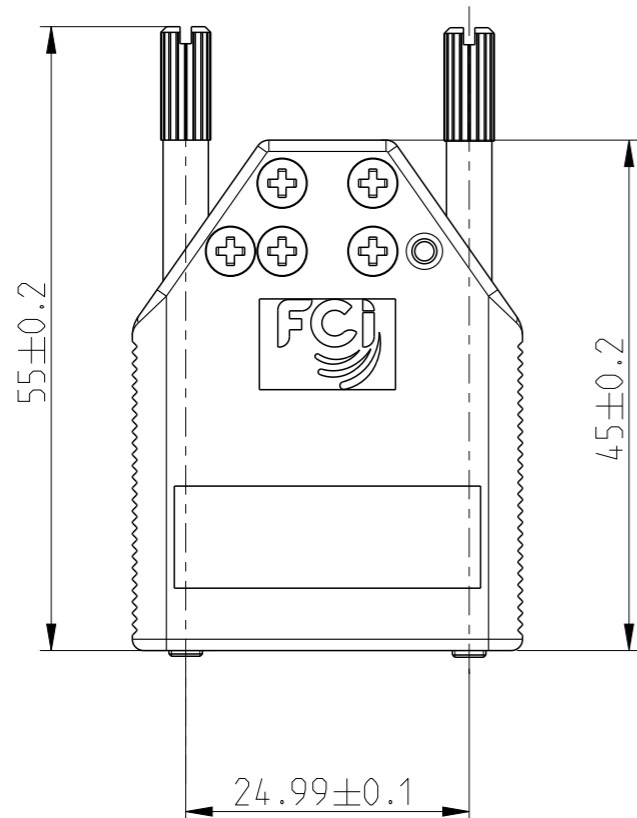
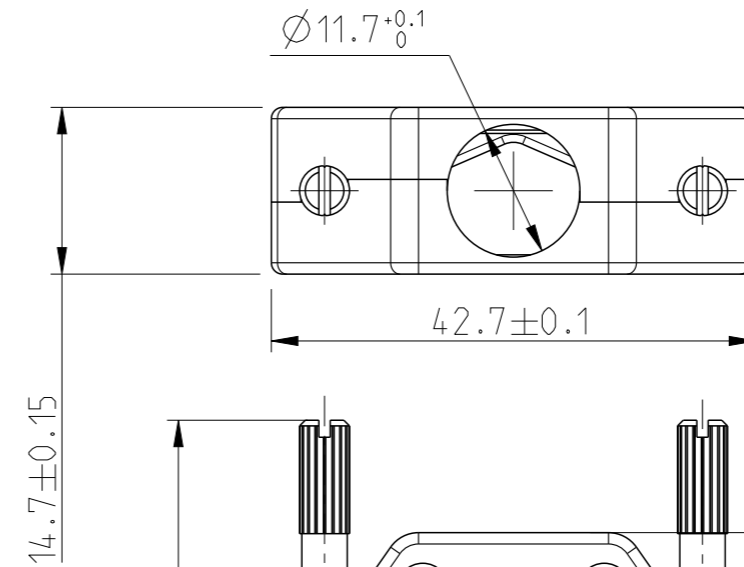
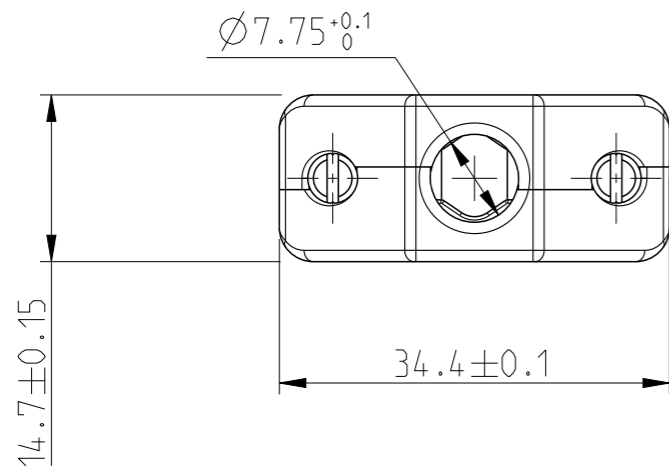
spec ref		dr	A Parrenin	2009/05/20	projection	mm	size	A3	scale	3:2
tolerance std		eng	J Dalibard	2015/09/10			ecn no	ELX-B-20414-1	rel level	Released
ISO 406 ISO 1101		chr	J Dalibard	2015/09/10						
surface		appr	Aymeric Soudy	2015/09/11			dwg no	C-8655-1685C		rev
ISO 1302		TOLERANCES UNLESS OTHERWISE SPECIFIED linear 0.X ±/ 0.XX ±/ 0.XXX ±/ angular 0° ±/°		www.fci.com	STRAIGHT METAL HOODS WITH 2 METAL CLAMPS		cat. no.	-	Product - Customer Drw	sheet 1 of 4



Copyright FCI.

SIZE	Part Number	Jack Screw Thread	Packing
09	8655MH0901LF	UNC 4-40	bulk : Qty 80
	8655MH0911LF		individual set 50 sets/carton
	8655MH0902LF	M3	bulk : Qty 80
	8655MH0912LF		individual set 50 sets/carton

SIZE	Part Number	Jack Screw Thread	Packing
15	8655MH1501LF	UNC 4-40	bulk : Qty 80
	8655MH1511LF		individual set 50 sets/carton
	8655MH1502LF	M3	bulk : Qty 80
	8655MH1512LF		individual set 50 sets/carton



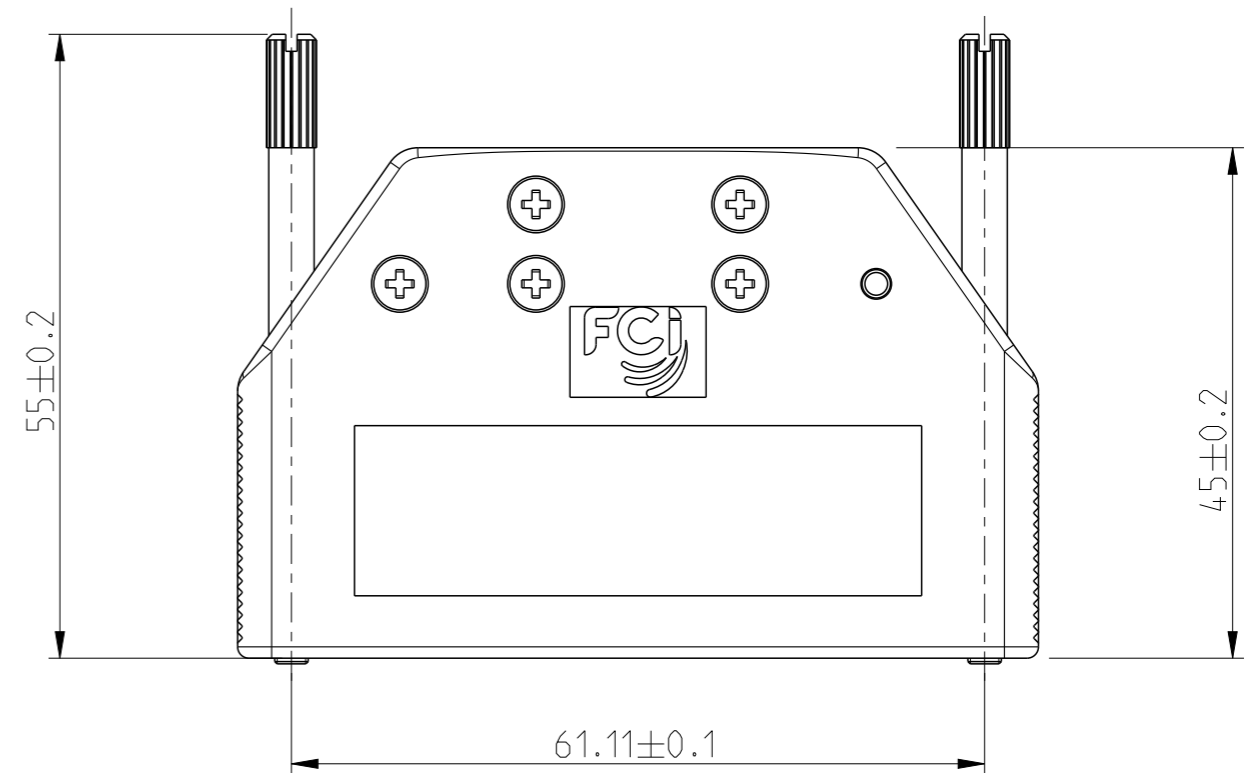
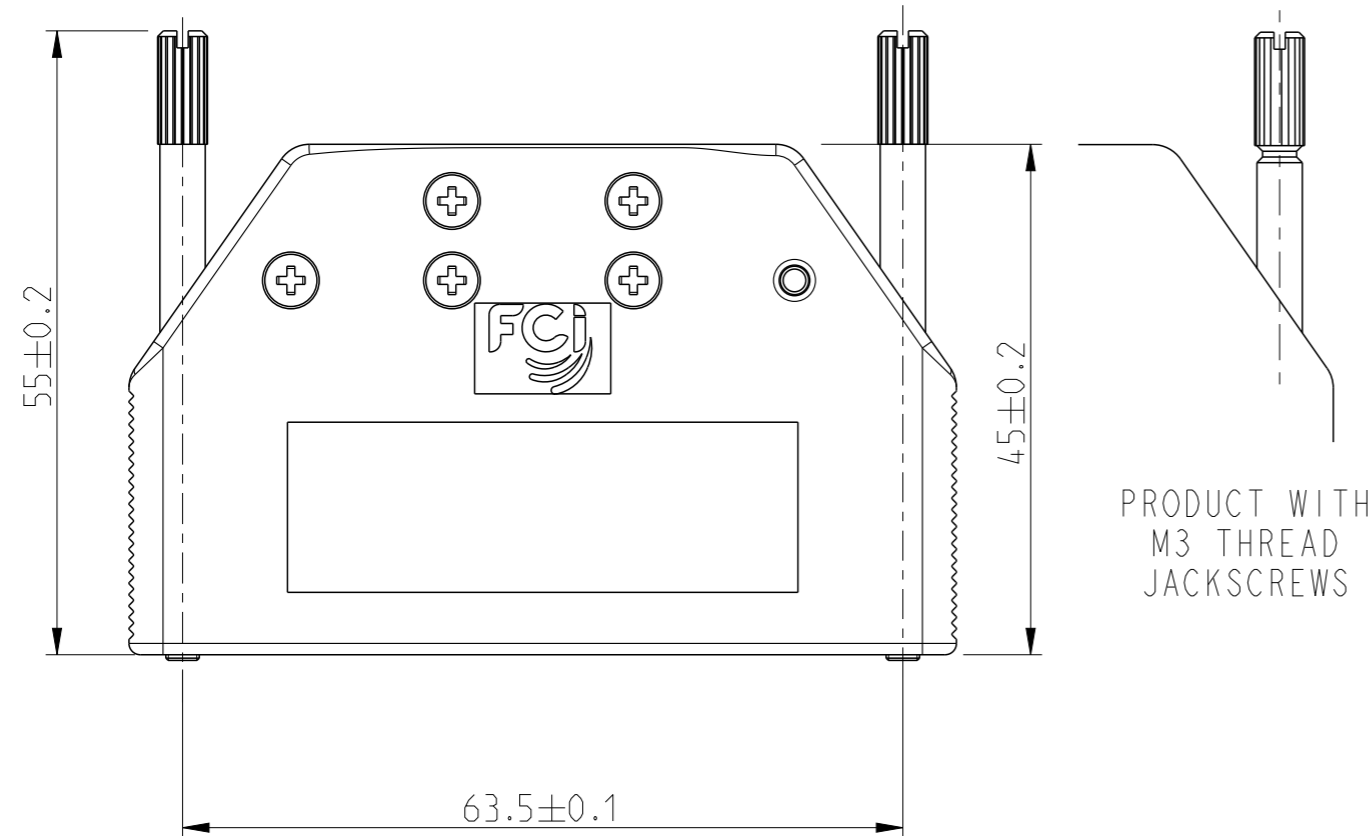
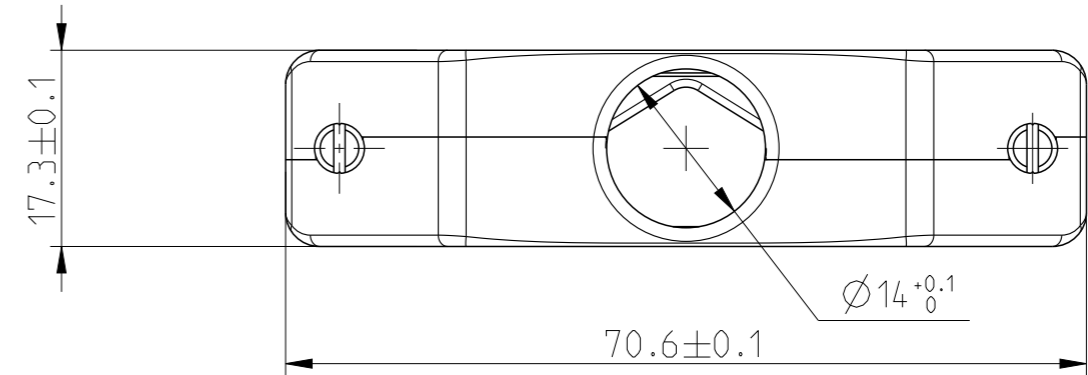
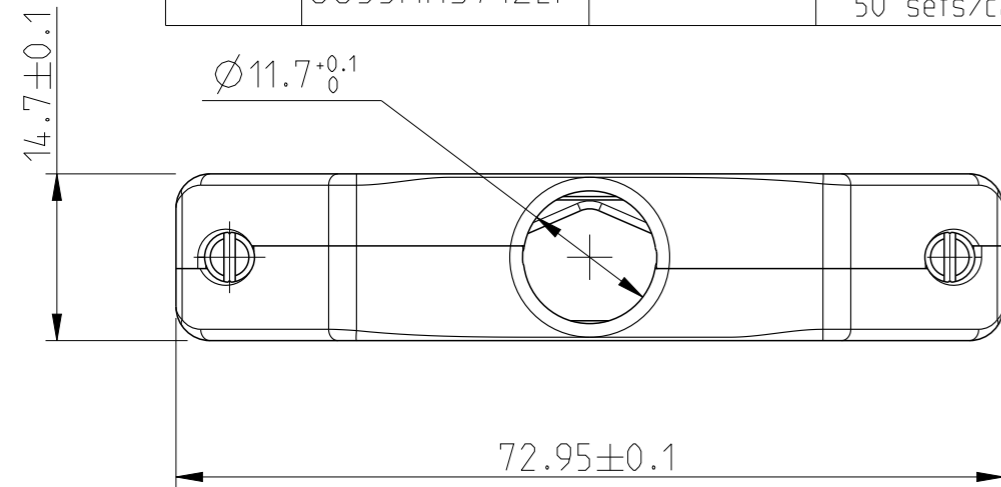
spec ref	dr	A Parrenin	2009/05/20	projection	mm	size	A3	scale	3:2
tolerance std	eng	J Dalibard	2015/09/10			ecn no	ELX-B-20414-1	rel level	Released
ISO 406 ISO 1101	chr	J Dalibard	2015/09/10			product family	-		
surface	appr	Aymeric Soudy	2015/09/11			cat. no.	-	Product - Customer Drw	sheet 2 of 4
ISO 1302	linear	0.X	±/	<b>FCI</b>		title	STRAIGHT METAL HOODS WITH 2 METAL CLAMPS	dwg no	C-8655-1685C
	angular	0°	±/°	<a href="http://www.fci.com">www.fci.com</a>		rev	D		



Copyright FCI.

SIZE	Part Number	Jack Screw Thread	Packing
37	8655MH3701LF	UNC 4-40	bulk : Qty 40
	8655MH3711LF		individual set 50 sets/carton
	8655MH3702LF	M3	bulk : Qty 40
	8655MH3712LF		individual set 50 sets/carton

SIZE	Part Number	Jack Screw Thread	Packing
50	8655MH5001LF	UNC 4-40	bulk : Qty 40
	8655MH5011LF		individual set 50 sets/carton
	8655MH5002LF	M3	bulk : Qty 40
	8655MH5012LF		individual set 50 sets/carton



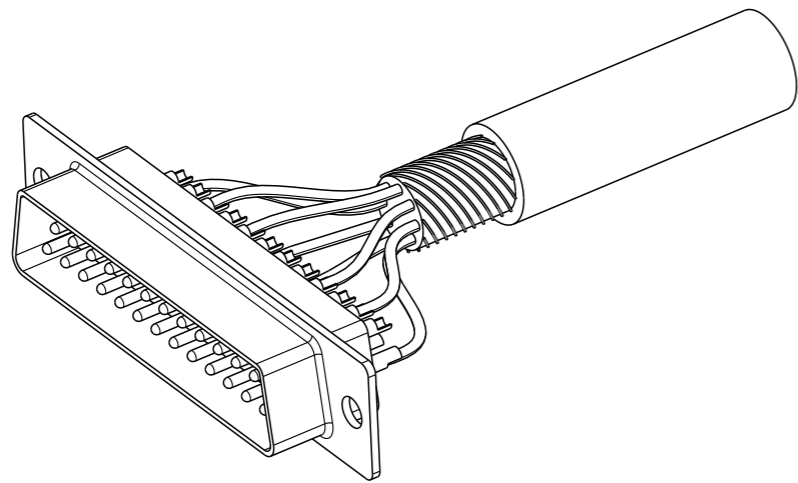
spec ref	dr	A Parrenin	2009/05/20	projection	mm	size	A3	scale	3:2										
tolerance std	eng	J Dalibard	2015/09/10			ecn no	ELX-B-20414-1	rel level	Released										
ISO 406 ISO 1101	chr	J Dalibard	2015/09/10							product family	-								
surface	appr	Aymeric Soudy	2015/09/11			dwg no	C-8655-1685C	rev	D										
ISO 1302	<table border="1"> <tr> <td>linear</td> <td>0.X</td> <td>±/</td> </tr> <tr> <td></td> <td>0.XX</td> <td>±/</td> </tr> <tr> <td></td> <td>0.XXX</td> <td>±/</td> </tr> <tr> <td>angular</td> <td>0°</td> <td>±/°</td> </tr> </table>		linear	0.X	±/		0.XX	±/		0.XXX	±/	angular	0°	±/°	www.fci.com	cat. no.	-	Product - Customer Drw	sheet 3 of 4
linear	0.X	±/																	
	0.XX	±/																	
	0.XXX	±/																	
angular	0°	±/°																	



Copyright FCI.

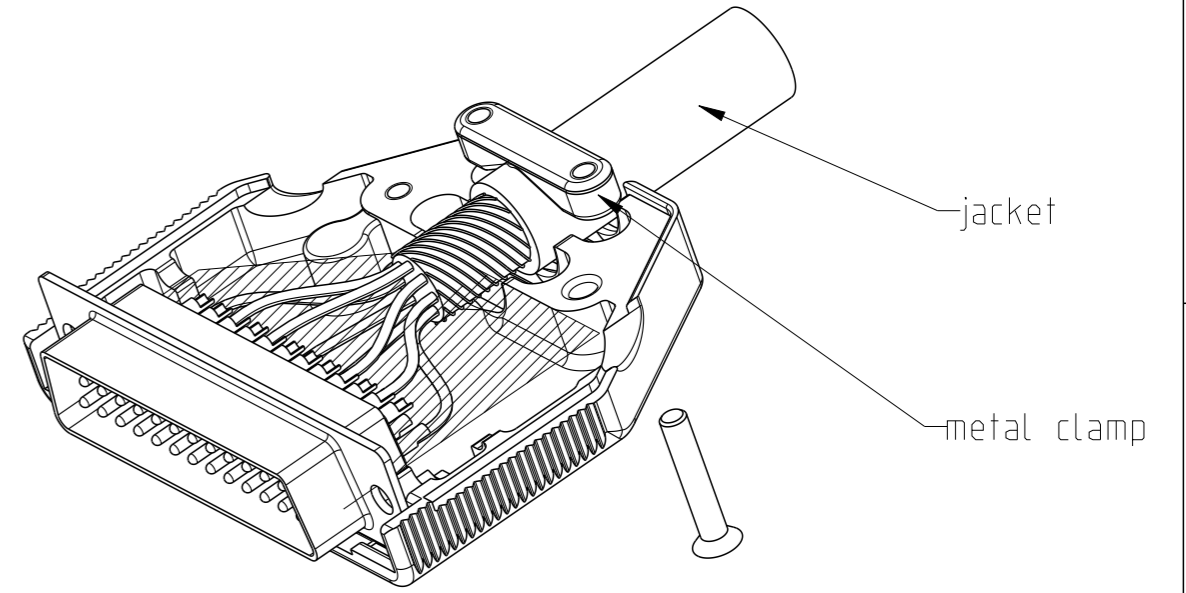
# CABLING INSTRUCTIONS

1- Strip the cable and solder or crimp the wires



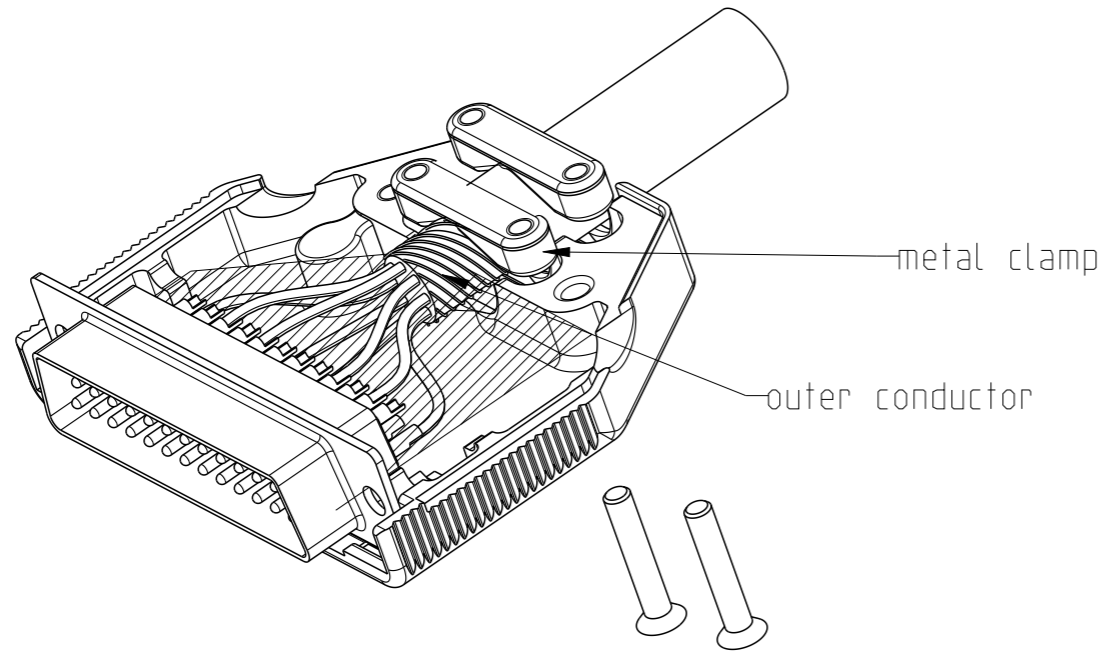
SCALE 3:2

2-Put the connector into a half hood and tighten the jacket with a metal clamp



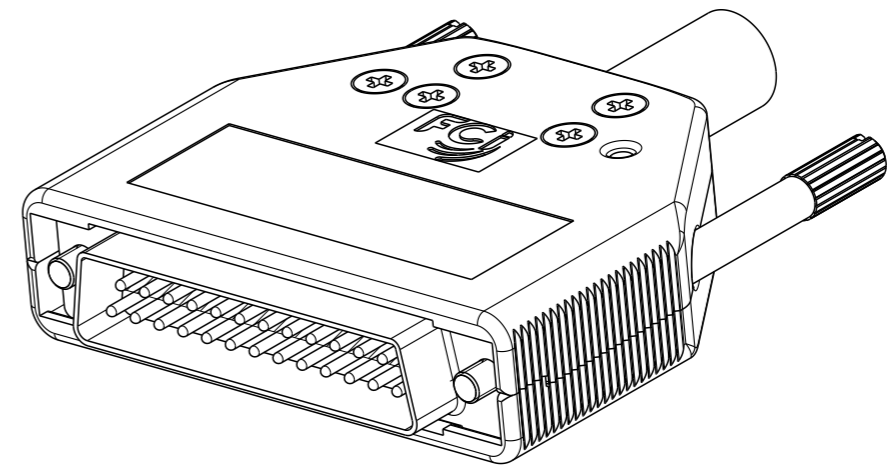
SCALE 3:2

3-To get the electrical continuity between the cable outer conductor and the hood tighten the outer conductor with the other metal clamp as shown



SCALE 3:2

4-Mount the jackscrews, the other half hood and tighten with 2 screws



Copyright FCI.

spec ref		dr	A Parrenin	2009/05/20	projection 	mm ←→	size	A3	scale	1:1			
tolerance std ISO 406 ISO 1101		eng	J Dalibard	2015/09/10			ecn no	ELX-B-20414-1					
TOLERANCES UNLESS OTHERWISE SPECIFIED		chr	J Dalibard	2015/09/10	product family	rel level	Released						
		appr	Aymeric Soudy	2015/09/11									
surface	✓	linear	0.X	±/	www.fci.com	cat. no.	Product - Customer Drw	sheet 4 of 4	title		rev		
ISO 1302	angular	0.XX	±/	STRAIGHT METAL HOODS					dwg no	C-8655-1685C		D	
		0.XXX	±/	WITH 2 METAL CLAMPS									
		angular	0°	±/°									