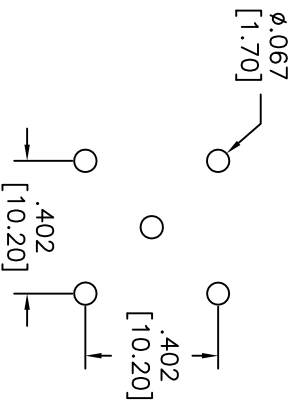
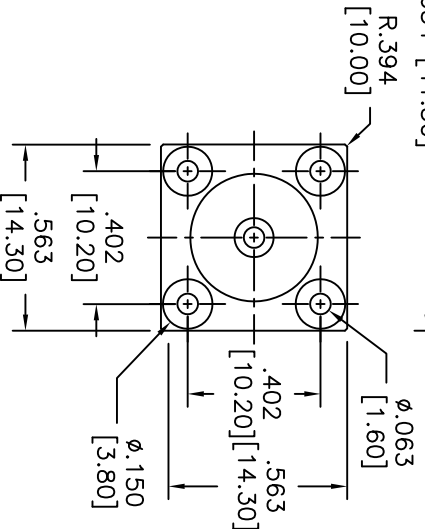
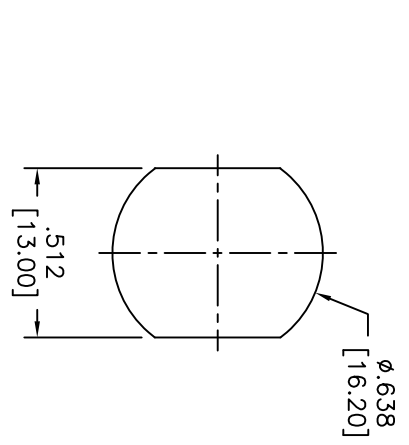
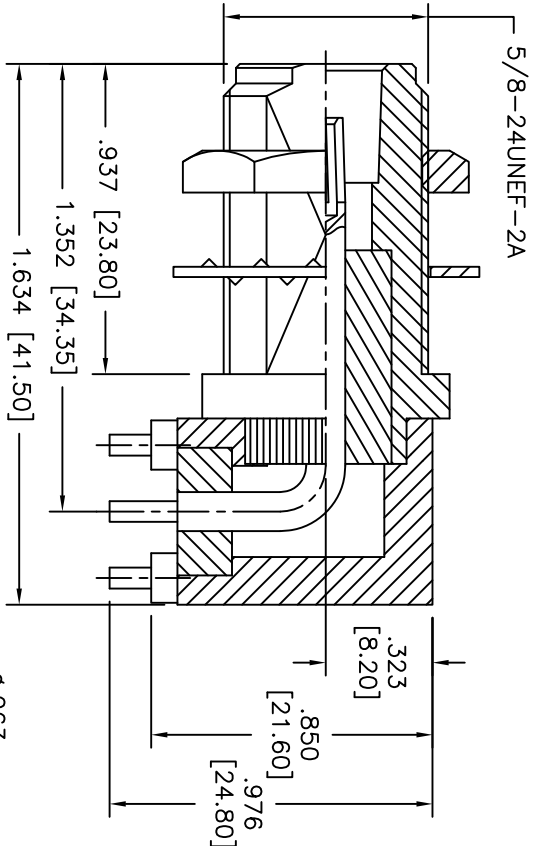
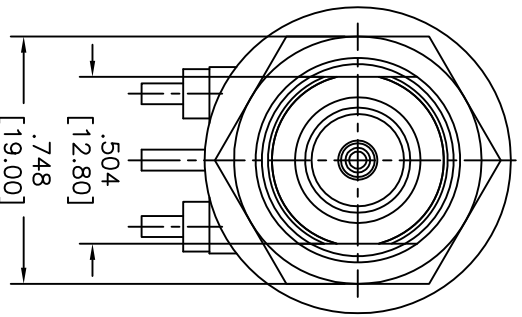


Rev	AWO #	Description	Date	Appr
-		RELEASED	10/04/10	

APPROVED: \_\_\_\_\_ TITLE: \_\_\_\_\_  
 DATE: \_\_\_\_\_



HEX NUT	BRASS	NICKEL
LOCK WASHTER	PHOSPHOR BRONZE	NICKEL
LEG	BRASS	GOLD
INSULATOR	TEFLON	NATURAL
OUTER BODY	BRASS	GOLD
CONTACT PIN	PHOSPHOR BRONZE	NICKEL
INSULATOR	TEFLON	NATURAL
INNER BODY	BRASS	GOLD
DESCRIPTION	MATERIAL	FINISH

UNLESS OTHERWISE SPECIFIED  
 ALL DIMENSIONS ARE INCHES [MM]  
 TOLERANCES: EXCEPT AS NOTED

APPROVALS	DATE	
DRAWN	DY	10/04/10
CHECKED		
APPROVED		

**ADAM TECH**  
 909 Rahway Avenue, Union, NJ 07083  
 Phone: 908-687-5000 Fax: 908-687-5710

N-TYPE, R/A, P.C.B BULKHEAD JACK

**SPECIFICATIONS:**  
 Environmental:  
 Lead free, RoHS compliant.



SIZE	PART NO.	SCALE	SHEET	REV.
X	RF5-500-5-HDW	NIS	1 OF 1	-

6 5 4 3 2 1

A B C D