

## 4A Low Dropout Regulator with Enable

### Features

- Adjustable Output Low to 0.8V
- 330mV Dropout @ 4A, VO 1.2V
- Over Current and Over Temperature Protection
- Enable Pin
- Low Reverse Leakage (Output to Input )
- Power SOP-8 (FD) Packages with Thermal Pad
- ±2% Output Voltage
- VO Power OK Signal
- 1.2V Options by Setting ADJ Pin Below 0.2V and Adjustable Externally Using Resistors
- VO Pull Low Resistance when Disable
- VO Soft Start when Enable

### Applications

- Motherboards
- Peripheral Cards
- Network Cards
- Set Top Boxes
- Notebook Computers

### Ordering Information

ORDER NUMBER	MARKING	TEMP. RANGE	PACKAGE (Green)
G973-120ADJF11U	973-120	-40°C~+85°C	SOP-8 (FD)

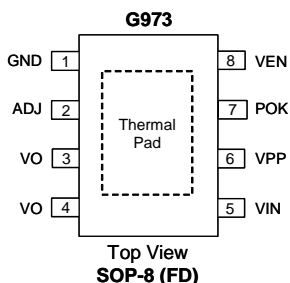
Note: F1: SOP-8 (FD)

1: Bonding Code

U : Tape & Reel

e.g. 120 denotes the 1.20V output voltage

### Pin Configuration



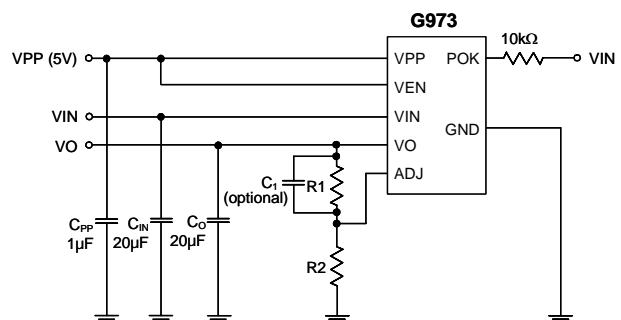
- \* Thermal Pad can be connected to VIN
- \*\* Connect Thermal Pad to ground plate will have better thermal performance

### General Description

The G973 is a high performance positive voltage regulator designed for use in applications requiring very low Input voltage and very low dropout voltage at up to 4 amps. It operates with VPP voltage 5V and output voltage programmable as low as 0.8V. The G973 features ultra low dropout, ideal for applications where  $V_{OUT}$  is very close to  $V_{IN}$ . Additionally, the G973 has an enable pin to further reduce power dissipation while shutdown. The G973 provides excellent regulation over variations in line, load and temperature. The G973 provides a power OK signal to indicate if the voltage level of VO reaches 92% of its rating value.

The G973 is available in the power SOP-8 (FD) package. It is available with 1.2V internally preset outputs that are also adjustable using external resistors.

### Typical Application Circuit



1.  $V_O = \frac{0.8(R1+R2)}{R2}$  Volts, R2<120kΩ is recommended
2. C<sub>1</sub> is not necessary. VO is also stable if C<sub>1</sub> = 22pF~150pF