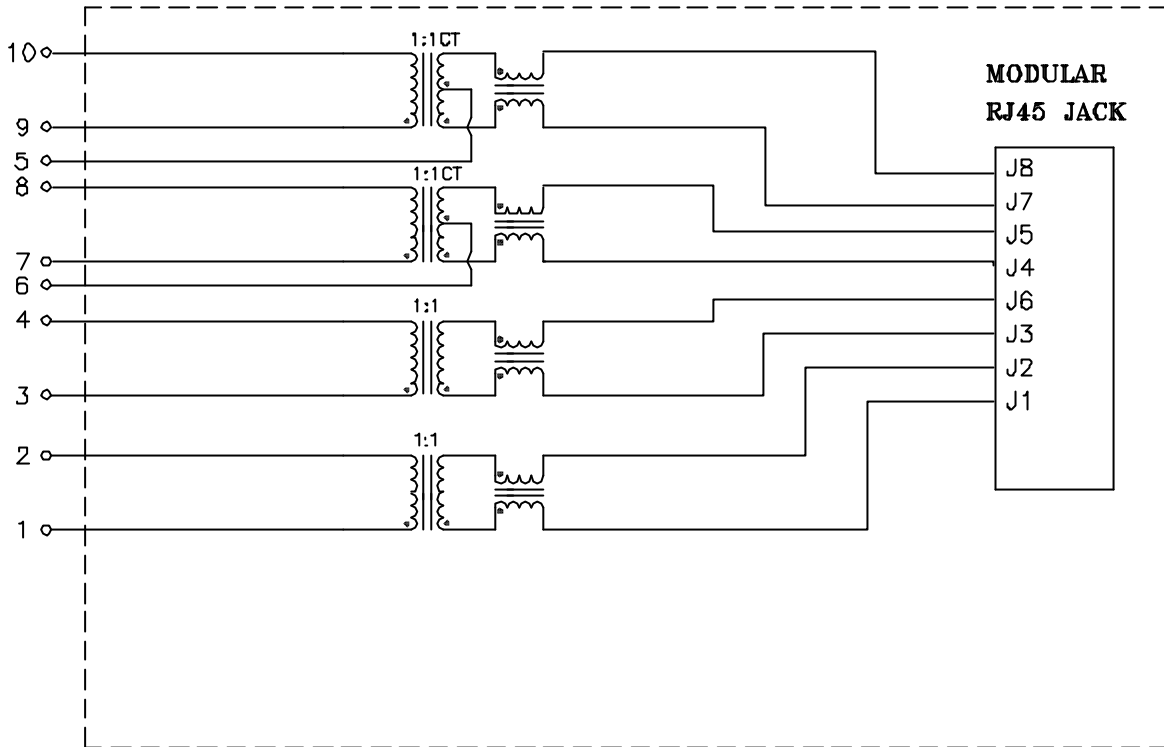


Schematic: (SINGLE PORT)



Electrical Specifications: @25°C

ISOLATION: 1500 Vrms

URNS RATIO: (PRI/SEC) 1:1CT ±2%

OCL: 350uH MIN @100KHz 100mV 8mADC

DCR: P5-J7 and P5-J8 mismatch, 3% Max

DCR: P6-J4 and P6-J5 mismatch, 3% Max

Rise Time: 1.75ns Max.

INSERTION LOSS: -1.0dB MAX @1MHz-10DMHz

RETURN LOSS:

-18dB Min @1-30MHz -18dB Min @30-40MHz

-18dB Min @40-50MHz -12dB Min @50-100MHz

Common Mode Rejection:

-43dB Min @1-30MHz -37dB Min @30-60MHz

-33dB Min @60-125MHz

Crosstalk: -45dB Min @0.3-30MHz

-43dB Min @30-60MHz -42dB Min @60-100MHz

Balanced DC Line Current: 600mA Max @57Vdc continuous Pins 5 + 6

750mA Max @57Vdc for 200milliseconds Pins 5 + 6

Notes:

1. Solderability: Leads shall meet MIL-STD-202G, Method 208H for solderability.
2. Flammability: UL94V-0
3. ASTM oxygen index: > 28%
4. Insulation System: Class F 155°C. UL file E151556
5. Operating Temperature Range: All listed parameters are to be within tolerance from -40°C to +85°C
6. Storage Temperature Range: -55°C to +125°C
7. Aqueous wash compatible
8. Electrical and mechanical specifications 100% tested
9. RoHS Compliant Component
10. Contact Plating: 30ulnches of Gold

DOC REV.: A/2

XFMRs Inc.
www.XFMRS.com

Title:

SINGLE PORT COMBO

UNLESS OTHERWISE SPECIFIED

P/N: XFGIB100APOL-CT1-1L

REV. A

TOLERANCES:

DWN.

Juan Mao

Dec-21-06

.xxx ±0.010

CHK.

YK Liao

Dec-21-06

Dimensions in Inch

APP.

MS

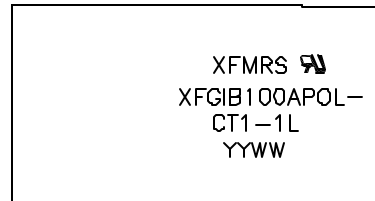
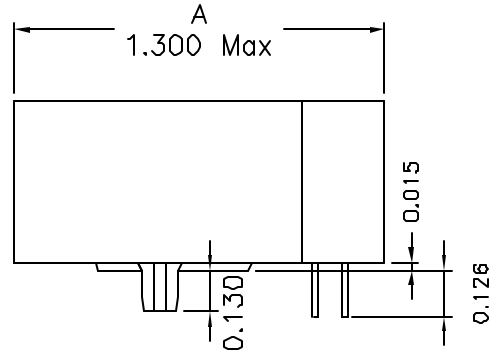
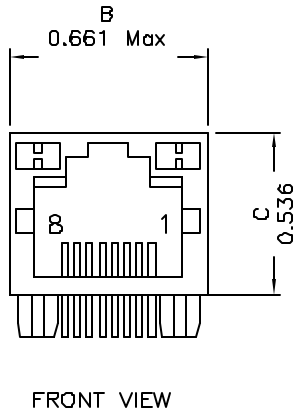
Dec-21-06

SHEET 1 OF 2

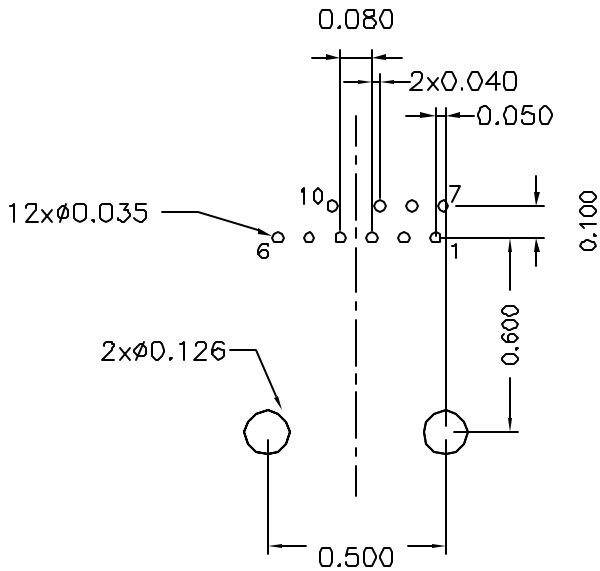
PROPRIETARY:

Document is the property of XFMRs Group & is not allowed to be duplicated without authorization.

Mechanical Dimensions:



Mounting Pattern:



*Remove Pin#11,12

DOC. REV A/2

XFMRS Inc. www.XFMRS.com	Title: Mechanical Dimensions For TAB UB RJ45 COMBO		
	UNLESS OTHERWISE SPECIFIED TOLERANCES: .xxx ±0.010 Dimensions in Inch	P/N: XFGIB100APOL-CT1-1L	REV. A
SHEET 2 OF 2	APP. MS	CHK. YK Liao Dec-20-06	Dec-20-06

PROPRIETARY:

Document is the property of XFMRS Group & is not allowed to be duplicated without authorization.