



UAD92-02

Preliminary

DIODE

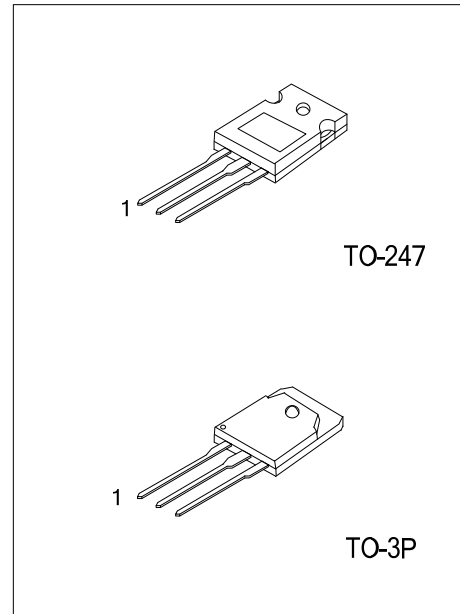
SILICON DIODE

DESCRIPTION

The UTC **UAD92-02** is a silicon diode, it uses UTC's advanced technology to provide customers with high average output current.

FEATURES

- * Low V_F
- * Super high speed switching



ORDERING INFORMATION

Ordering Number		Package	Pin Assignment			Packing
Lead Free	Halogen Free		1	2	3	
UAD92L-02-T47-T	UAD92G-02-T47-T	TO-247	A	K	A	Tube
UAD92L-02-T3P-T	UAD92G-02-T3P-T	TO-3P	A	K	A	Tube

<p>UAD92L-02-T47-T</p> <p>(1)Packing Type (2)Package Type (3)Lead Free</p>	<p>(1) T: Tube (2) T47: TO-247, T3P: TO-3P (3) L: Lead Free, G: Halogen Free</p>
--	--

■ ABSOLUTE MAXIMUM RATINGS ($T_A=25^{\circ}\text{C}$, unless otherwise specified.)

PARAMETER		SYMBOL	RATINGS	UNIT
Repetitive Peak Reverse Voltage		V_{RRM}	200	V
Average Output Current (Note 1)	50Hz Square Wave Duty=1/2, $T_C=115^{\circ}\text{C}$	I_O	20	A
Non-Repetitive Forward Surge Current (Note 2)	Sine Wave, 10ms 1shot	I_{FSM}	100	A
Operating Junction Temperature		T_J	150	$^{\circ}\text{C}$
Storage Temperature		T_{STG}	-40~+150	$^{\circ}\text{C}$

Note: Absolute maximum ratings are those values beyond which the device could be permanently damaged.
Absolute maximum ratings are stress ratings only and functional device operation is not implied.

■ THERMAL RESISTANCE

PARAMETER		SYMBOL	RATINGS	UNIT
Junction to Case	TO-247	θ_{JC}	1.5	$^{\circ}\text{C}/\text{W}$
	TO-3P		1.45	$^{\circ}\text{C}/\text{W}$

■ ELECTRICAL CHARACTERISTICS ($T_A=25^{\circ}\text{C}$, unless otherwise specified.)

PARAMETER	SYMBOL	TEST CONDITIONS	MIN	TYP	MAX	UNIT
Forward Voltage (Note 2)	V_F	$I_F=10\text{A}$			0.95	V
Reverse Current (Note 2)	I_R	$V_R=V_{RRM}$			200	μA
Reverse Recovery Time (Note 2)	t_{rr}	$I_F=0.1\text{A}, I_R=0.2\text{A}, I_{rec}=0.05\text{A}$			0.04	μs

Notes: 1. Out put current of center tap full wave connection.
2. Rating per element

UTC assumes no responsibility for equipment failures that result from using products at values that exceed, even momentarily, rated values (such as maximum ratings, operating condition ranges, or other parameters) listed in products specifications of any and all UTC products described or contained herein. UTC products are not designed for use in life support appliances, devices or systems where malfunction of these products can be reasonably expected to result in personal injury. Reproduction in whole or in part is prohibited without the prior written consent of the copyright owner. The information presented in this document does not form part of any quotation or contract, is believed to be accurate and reliable and may be changed without notice.