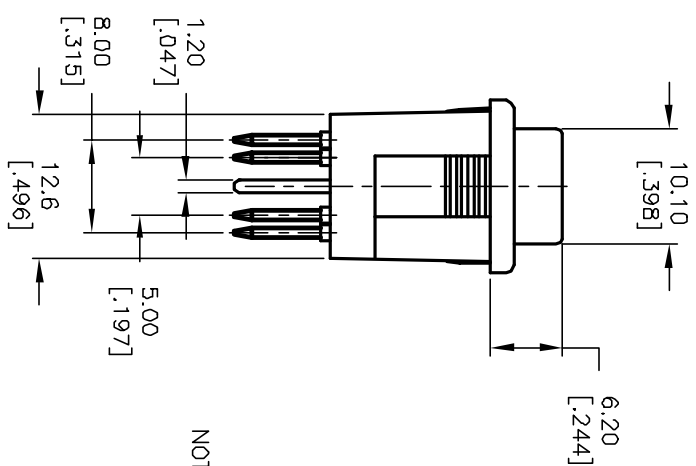
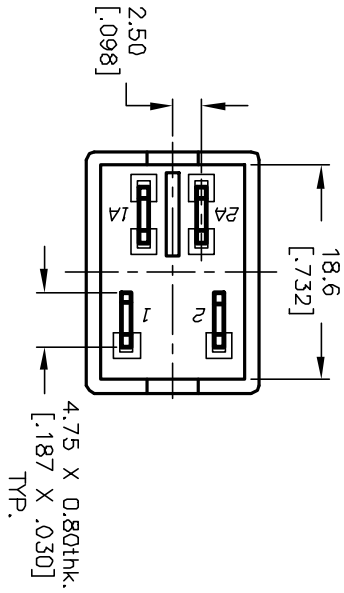
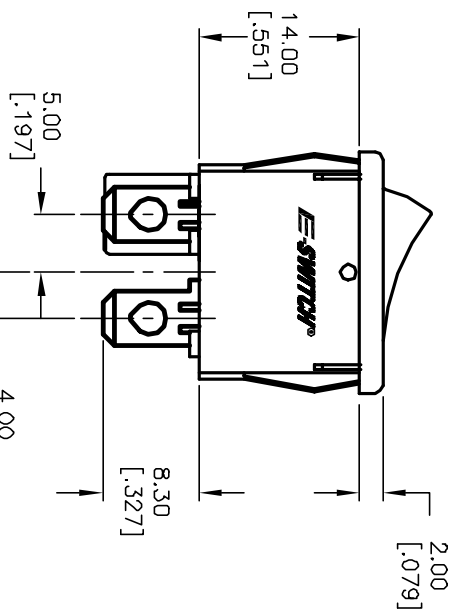
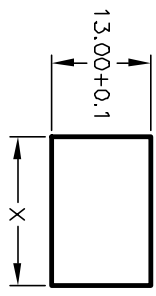


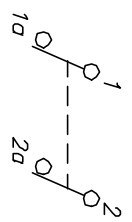
ON-OFF SYMBOL  
MOLDED INTO HOUSING



PANEL THICKNESS	X dimension
0.75-1.25 [0.30-0.049]	19.2-02 [0.7561]
1.25-2.0 [0.49-0.079]	19.4-02 [0.7641]
2.0-3.0 [0.79-0.118]	19.8-02 [0.7801]



PANEL CUTOUT  
NOT TO SCALE



CIRCUIT: DPST

NOTES:

1. ALL DIMENSIONS IN MM [INCH]
2. GENERAL TOLERANCE: X.X=±0.4  
X.XX=±0.25
3. RATING:  
6A @250VAC;9A @125VAC (UL, CSA, VDE)  
4(1)A @250VAC
4. MATERIAL:  
CONTACT SURFACE: Coin Silver, Silver Plate  
TERMINAL: Copper Alloy W/ Silver Plate.
5. CONTACT RESISTANCE: 20MILLIOHMS TYP. INITIAL
6. INSULATION RESISTANCE: 1000MEGohms
7. DIELECTRIC STRENGTH:  
>1500V RMS min. @SEA LEVEL  
>3000V RMS @SEA LEVEL
8. MECHANICAL LIFE: 50,000 CYCLES.
9. ELECTRICAL LIFE: 10,000 CYCLES.

**E-SWITCH®**

D	11330	REMOVED TABULATION	10/01/01	CJB
REV.	ECN No.	DESCRIPTION	DATE	CHKD

TITLE	SCALE	DATE	DR	DWG	REV
R1973B BLK BLK FFO	1.5:1	2/21/01	CJB	M400010	D

THE INFORMATION CONTAINED IN THIS DOCUMENT IS PROPRIETARY TO E-SWITCH AND IS NOT TO BE COPIED OR TRANSFERRED