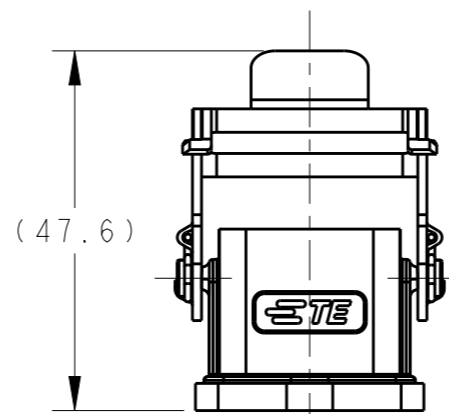
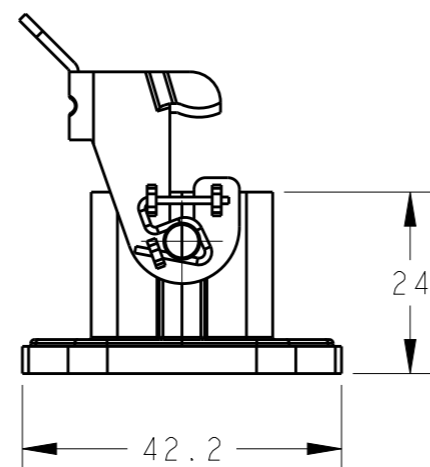
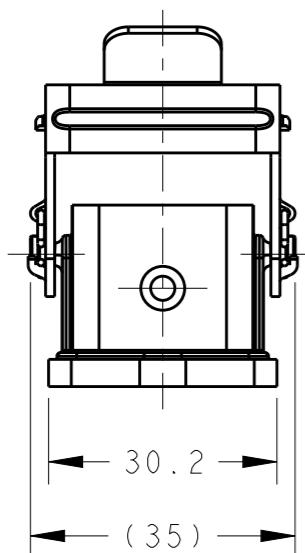
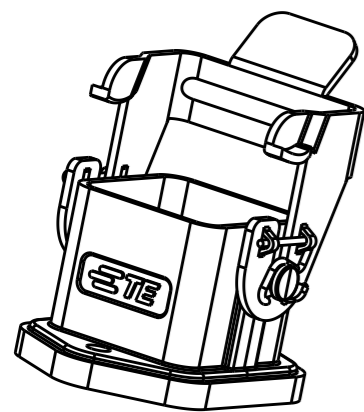


REVISIONS

P	LTR	DESCRIPTION	DATE	DWN	APVD
	A	INITIAL	14JAN2015	DW	CW

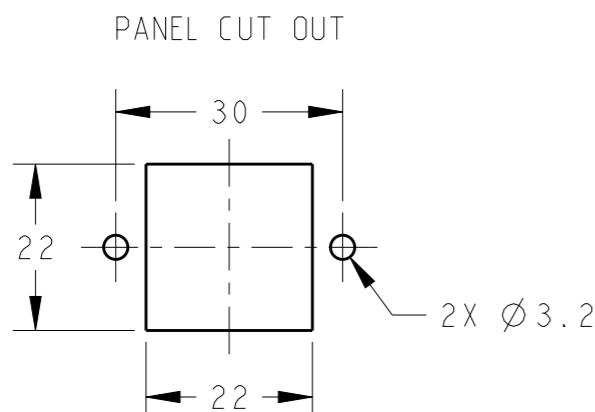
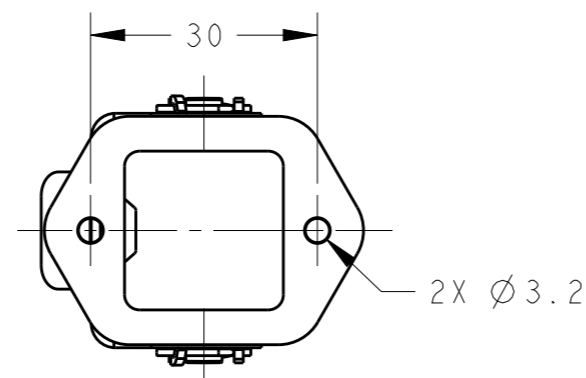


NOTES:


- 1. TECHNICAL CHARACTERISTICS:
 HOUSING MATERIAL: DIE CAST ZINC ALLOY
 SURFACE: POWDER COATED, RAL7037
 SEAL MATERIAL: NBR
 OPERATION TEMPERATURE: -40-+125°C
 DEGREE OF PROTECTION: IP65 (MATED)

注释:

- 1. 技术参数:
 下壳材料: 锌合金
 表面处理: 粉末涂层, RAL7037
 密封材料: NBR
 工作温度: -40-+125°C
 防护等级: IP65(配合)



H3A-MAG	T1509030000-000
DESCRIPTION	PART NUMBER

THIS DRAWING IS A CONTROLLED DOCUMENT.		DWN 14JAN2015 David Wang	 TE Connectivity		
DIMENSIONS: mm		CHK 14JAN2015 Chris Wang			
TOLERANCES UNLESS OTHERWISE SPECIFIED:		APVD 14JAN2015 Xiang Xu	NAME H3A-MAG		
0 PLC ±- 1 PLC ±- 2 PLC ±- 3 PLC ±- 4 PLC ±- ANGLES ±-		PRODUCT SPEC 108-137012	RESTRICTED TO		
MATERIAL		APPLICATION SPEC 114-137012	SIZE A3	CAGE CODE 00779	DRAWING NO T1509030000000
FINISH		WEIGHT	SCALE 1:1		SHEET 1 OF 1
-		Customer Drawing	REV A		