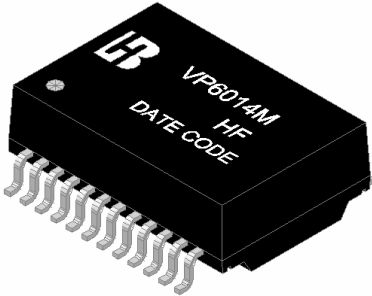


**1000 BASE -T SINGLE PORT VOICE  
OVER IP MAGNETICS MODULE  
P/N: VP6014M HF DATA SHEET**



**Feature**

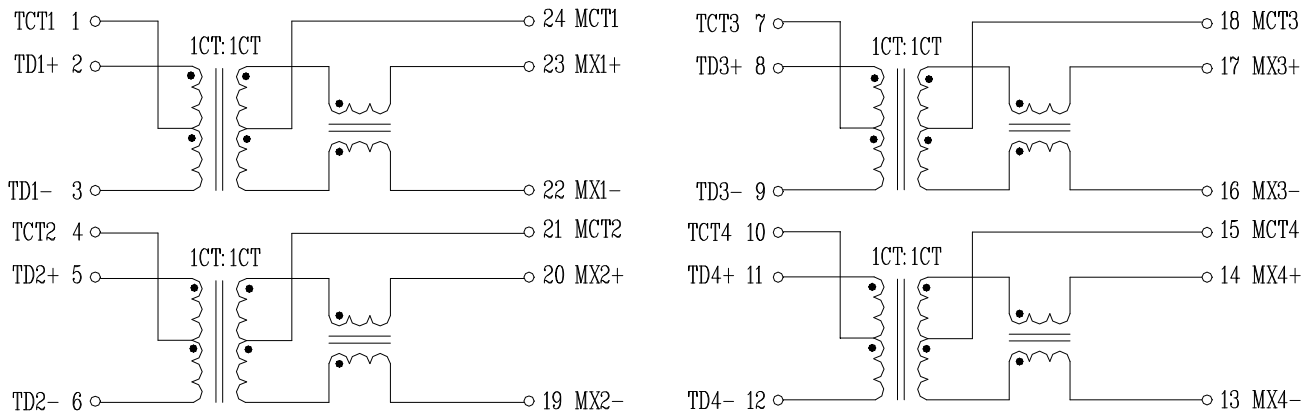


- IEEE 802.3at/ANSI X3.263 compliant performance.
- Suitable for End-span POE applications with 600 mA current capability.
- Comply with ROHS & Halogen Free requirements.
- Operating temperature range: -40°C to +85°C.
- Storage temperature range: -40°C to +85°C.

Electrical Specifications @ 25°C							
Part Number	Turns Ratio (±5%)		OCL (uH Min) @100KHz/0.1V with 8mA DC Bias	Cross talk Attenuation (dB Min)			HI-POT (Vrms)
	TX	RX		30MHz	60MHz	100MHz	
VP6014M HF	1CT:1CT	1CT:1CT	350	-45	-40	-35	1500

Continue									
Part Number	Insertion Loss (dB Max)	Return Loss (dB Min)@Load 100Ω					DCMR (dB Min)		
		1-100MHz	1-30MHz	40MHz	50MHz	60-80MHz	100MHz	30MHz	60MHz
VP6014M HF	-1.0	-18	-14.4	-13.1	-12	-10	-43	-37	-33

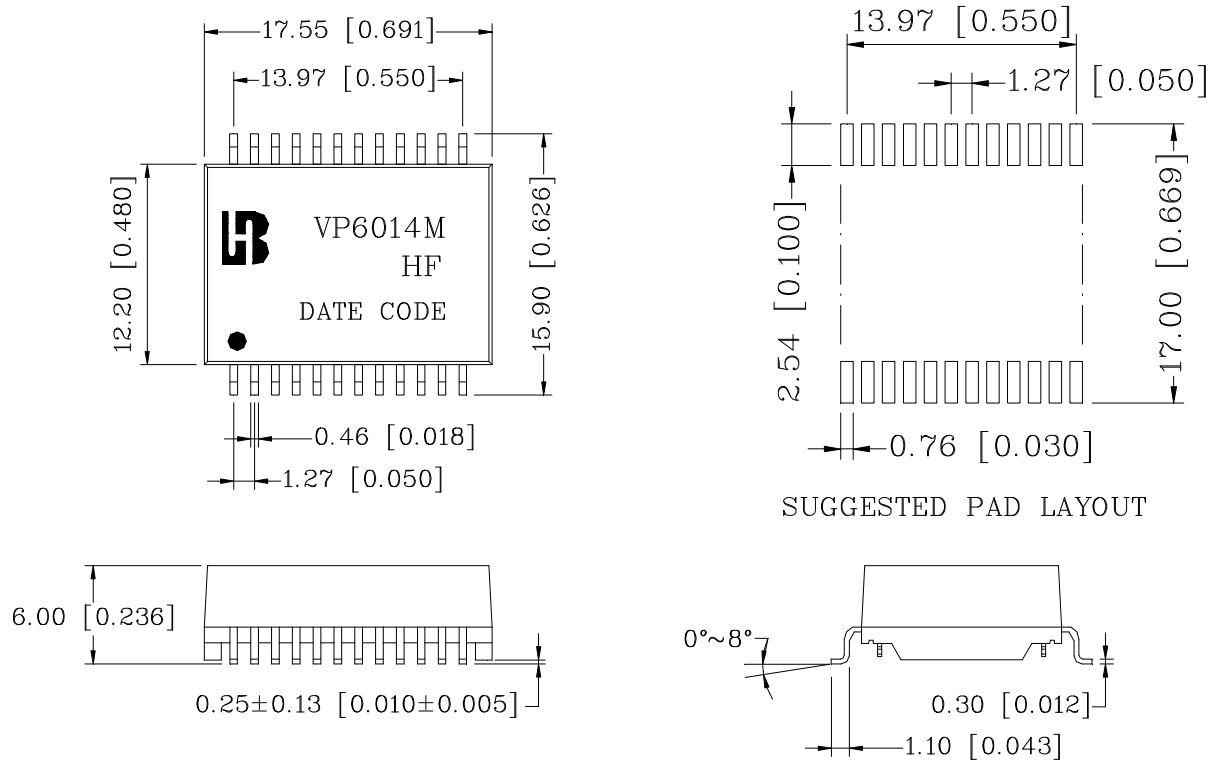
**Schematic**



**1000 BASE -T SINGLE PORT VOICE  
OVER IP MAGNETICS MODULE  
P/N: VP6014M HF DATA SHEET**



**Mechanical**



Units: mm [Inches] Tolerances: xx.x0 ± 0.25 [0.010]  
0.xx ± 0.05 [0.002]