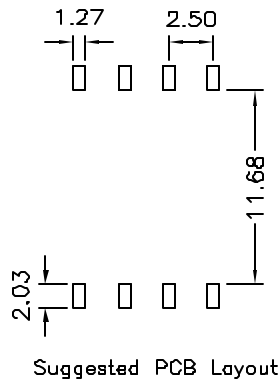
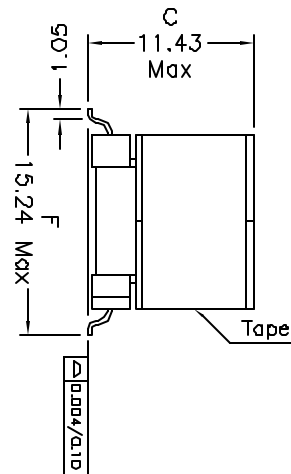
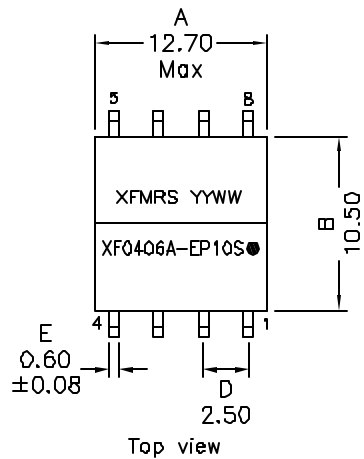


1. Mechanical Dimensions:

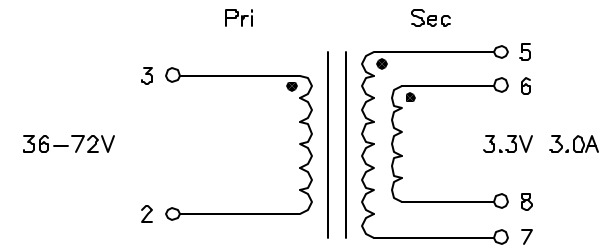


Notes:

- Solderability: Leads shall meet MIL-STD-202G, Method 208H for solderability.
- Flammability: UL94V-0
- ASTM oxygen index: > 28%
- Insulation System: Class F 155°C. UL file E151556
- Operating Temperature Range: All listed parameters are to be within tolerance from -40°C to +85°C
- Storage Temperature Range: -40°C to +85°C
- Aqueous wash compatible
- SMD Lead Coplanarity: $\pm 0.004^*(0.102\text{mm})$
- Electrical and mechanical specifications 100% tested
- RoHS Compliant Component

DOC REV: A/2

2. Schematic:



3. Electrical Specifications: @25°C

OCL: Pins 3-2 40uH \pm 10% @10KHz 0.1V

Pins 3-2 36uH Min @10KHz 0.1V, @1.3Adc

Q: Pins 3-2 10 Min @10KHz 0.1V

LL: Pins 3-2 1.0uH Max @100KHz 0.1V, Short all else

Cw/w: Pins 3-5 100pF Max @100KHz 0.1V, Short Sec

DCR: Pins 3-2 0.098 Ohms Max

Pins 5-7 0.062 Ohms Max

Pins 6-8 0.062 Ohms Max

Turns Ratio: (3-2):(5-7):(6-8) = 1.0:0.3:0.3 \pm 2%

Hipot: 1500Vac, Pri to Sec

XFMR5 Inc www.XFMR5.com	Title:	
	PoE TRANSFORMER	
UNLESS OTHERWISE SPECIFIED TOLERANCES: .xx \pm 0.25 Dimensions in MM	P/N: XF0406A-EP10S	REV. A
	DWN.	Feng
SHEET 1 OF 1	CHK.	YK Liao
	APP.	Joe Huff
		May-25-11
		May-25-11
		May-25-11