

Rectifier Diode D150



Technical Data

Typical applications :All purpose high power rectifier diodes, Non-controllable rectifiers .
Free-wheeling diodes & welding

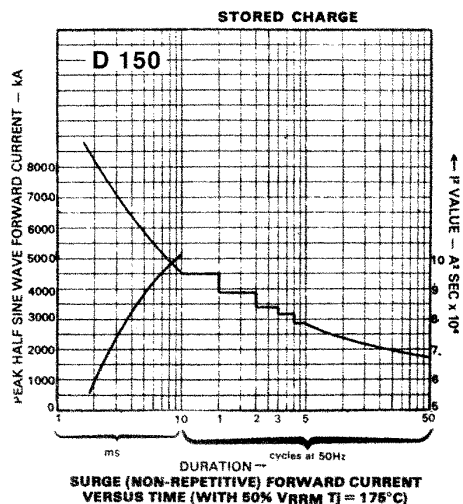
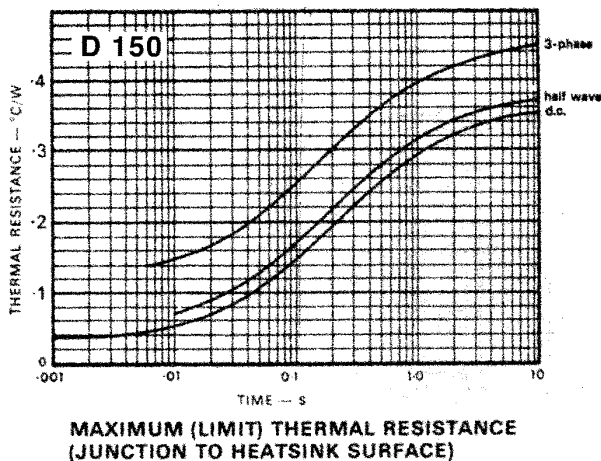
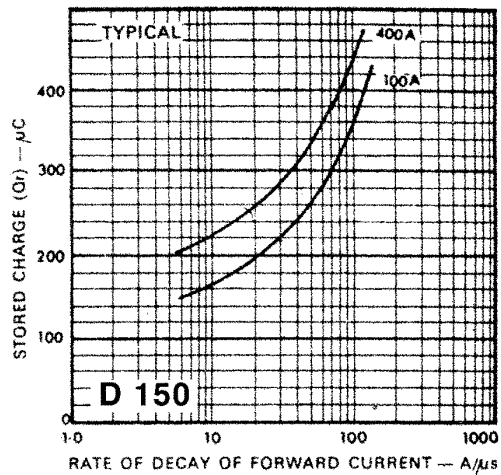
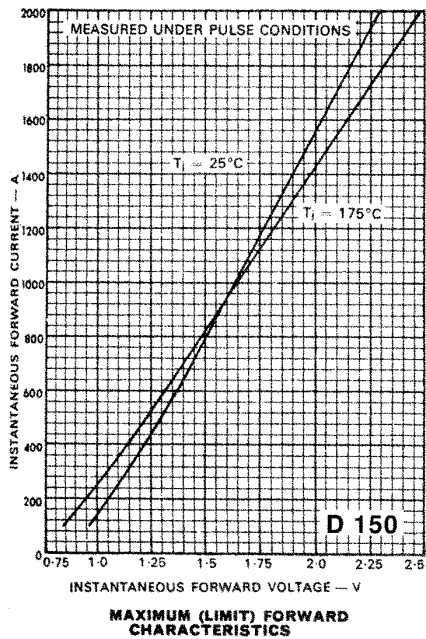
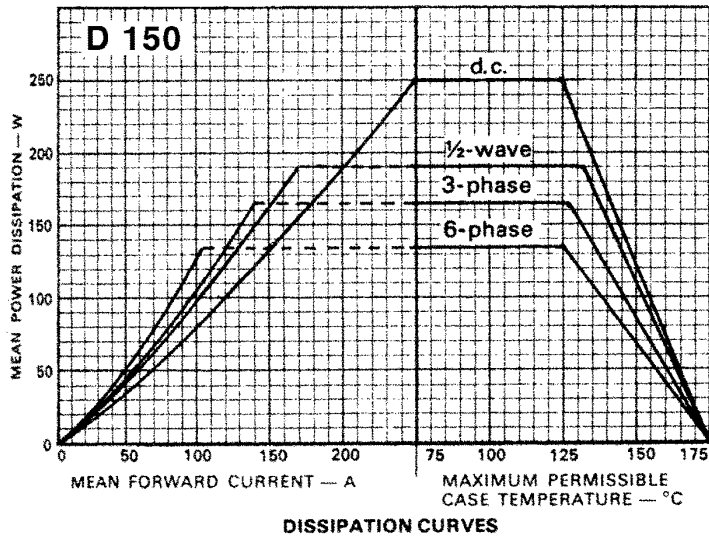
Type No.	V_{RRM} (Volts)	V_{RSM} (Volts)
D150/02	200	300
D150/04	400	500
D150/08	800	900
D150/12	1200	1300
D150/14	1400	1500
D150/16	1600	1700

Features

- Reverse voltage upto 1600V.
- Hermetic glass to metal seal
- High surge capability
- C : Cathode to stud
- A : Anode to stud

Symbol	Conditions	Values
$I_{F(AV)}$	Sin 180; $T_{case} = 140\text{ }^{\circ}\text{C}$	150 A
I_{FSM}	$T_{vj} = 175\text{ }^{\circ}\text{C}$; 10 ms with 50% V_{RRM}	4.5 KA
I^2t	$T_{vj} = 175\text{ }^{\circ}\text{C}$; 10 ms	101000 A^2s
	$T_{vj} = 175\text{ }^{\circ}\text{C}$; 3 ms	74000 A^2s
I_{RRM}	$T_{vj} = 175\text{ }^{\circ}\text{C}$	15 mA max
V_F	$T_{vj} = 25\text{ }^{\circ}\text{C}$; $I_F = 500\text{ A}$	1.35 V max
V_0	$T_{vj} = 175\text{ }^{\circ}\text{C}$	0.85 V
R_0	$T_{vj} = 175\text{ }^{\circ}\text{C}$	1.10 m
$R_{th(j-c)}$ $R_{th(c-h)}$ T_{vj} T_{stg}	d.c.	0.20 $^{\circ}\text{C}/\text{W}$
	Half wave	0.22 $^{\circ}\text{C}/\text{W}$
	3 phase	0.30 $^{\circ}\text{C}/\text{W}$
		0.15 $^{\circ}\text{C}/\text{W}$
Mounting torque	SI units	10 Nm / 8Nm per Bolt
Weight	Approx	100g / 170g
Case outline		M,W / H

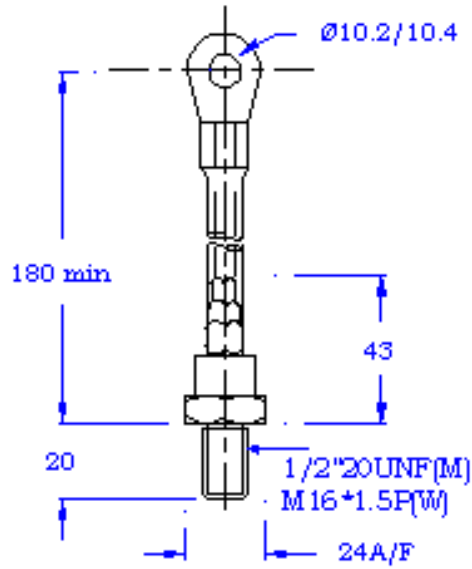




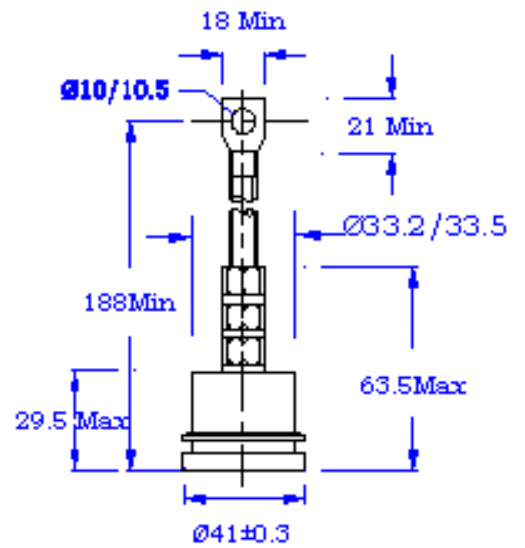
PACAKAGE DEATILS

DO NOT SCALE

All Dimensions in mm



Mounting Torque 10NM **M/W**



Mounting Torque 8NM/bolt **H**
(For Two Bolt Mounting)