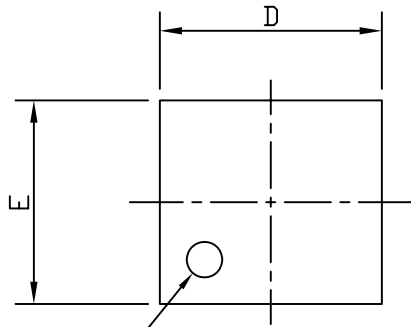


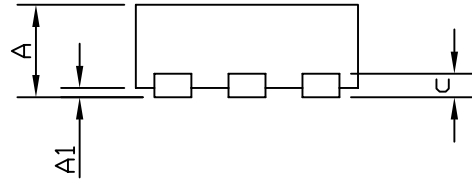


## DFN1.2x1.1\_6L\_NEP\_S PACKAGE OUTLINE

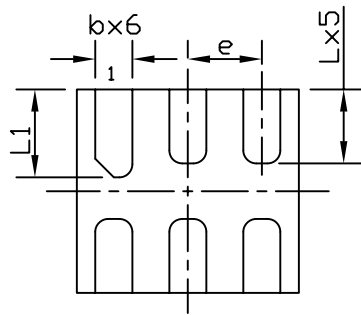


PIN 1 DOT  
BY MARKING

TOP VIEW

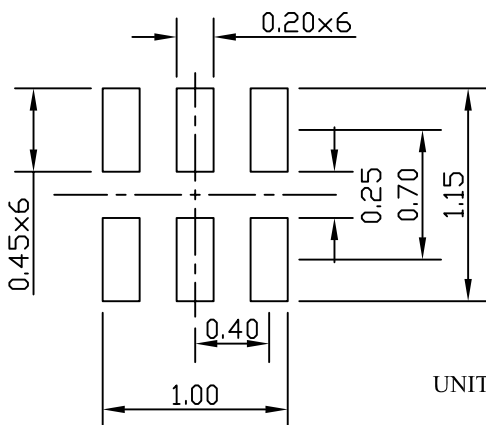


SIDE VIEW



BOTTOM VIEW

### RECOMMENDED LAND PATTERN



UNIT: mm

SYMBOLS	DIMENSIONS IN MILLIMETERS			DIMENSIONS IN INCHES		
	MIN	NOM	MAX	MIN	NOM	MAX
A	0.50	0.55	0.60	0.020	0.022	0.024
A1	0.00	---	0.05	0.000	---	0.002
b	0.15	0.20	0.25	0.006	0.008	0.010
c	0.152 Ref.			0.006 Ref.		
D	1.15	1.20	1.25	0.045	0.047	0.049
E	1.05	1.10	1.15	0.041	0.043	0.045
e	0.40 BSC			0.016 BSC		
L	0.30	0.40	0.50	0.012	0.016	0.020
L1	0.375	0.475	0.575	0.015	0.019	0.023

**NOTE**

1. CONTROLLING DIMENSION IS MILLIMETER.  
CONVERTED INCH DIMENSIONS ARE NOT NECESSARILY EXACT.