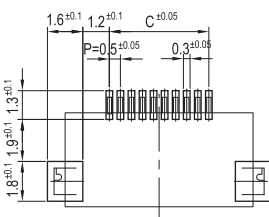
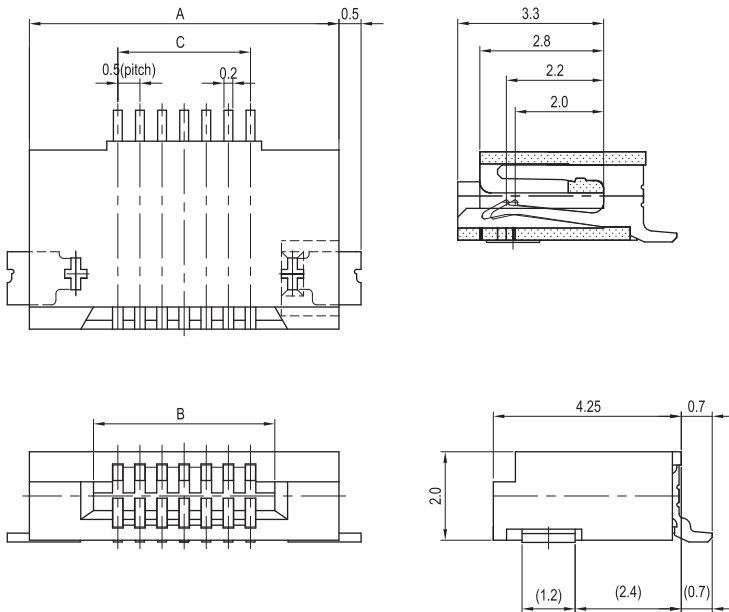
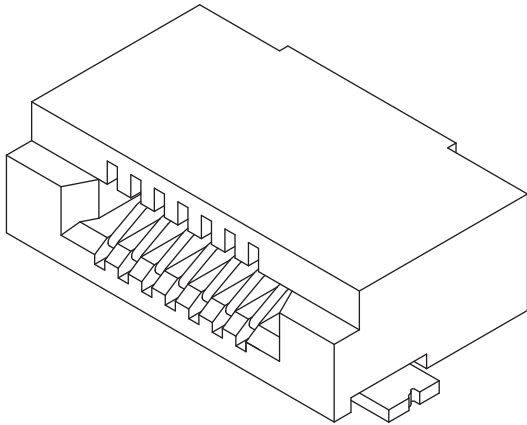


0.50mm (0.02") PITCH CONNECTOR

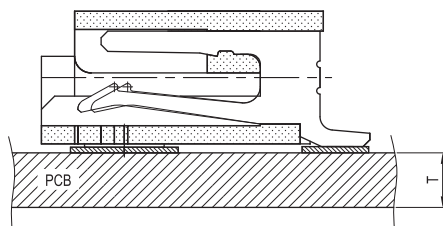


FPC/FFC Connector
Housing

05010HR-NNB Series
SMT, NON-ZIF(Bottom Contact Type)
Right Angle



PCB LAYOUT



PCB ASS'Y

Material

I/NO	DESCRIPTION	TITLE	MATERIAL
1	HOUSING	05010HR-NNB	PA6T or PA46, LCP, UL 94V Grade
2	TERMINAL	05010TR-B	Phosphor Bronze & Tin plated
3	HOOK	05010LR-B	Phosphor Bronze & Tin plated

Available Pin

PARTS NO.	A	B	C
05010HR-04B	5.5	2.5	1.5
05010HR-05B	6.0	3.0	2.0
05010HR-06B	6.5	3.5	2.5
05010HR-07B	7.0	4.0	3.0
05010HR-08B	7.5	4.5	3.5
05010HR-09B	8.0	5.0	4.0
05010HR-10B	8.5	5.5	4.5
05010HR-11B	9.0	6.0	5.0
05010HR-12B	9.5	6.5	5.5
05010HR-13B	10.0	7.0	6.0
05010HR-14B	10.5	7.5	6.5
05010HR-15B	11.0	8.0	7.0
05010HR-16B	11.5	8.5	7.5
05010HR-17B	12.0	9.0	8.0
05010HR-18B	12.5	9.5	8.5
05010HR-19B	13.0	10.0	9.0
05010HR-20B	13.5	10.5	9.5
05010HR-21B	14.0	11.0	10.0
05010HR-22B	14.5	11.5	10.5
05010HR-23B	15.0	12.0	11.0
05010HR-24B	15.5	12.5	11.5
05010HR-25B	16.0	13.0	12.0
05010HR-26B	16.5	13.5	12.5
05010HR-27B	17.0	14.0	13.0
05010HR-28B	17.5	14.5	13.5
05010HR-29B	18.0	15.0	14.0
05010HR-30B	18.5	15.5	14.5
05010HR-31B	19.0	16.0	15.0
05010HR-32B	19.5	16.5	15.5
05010HR-33B	20.0	17.0	16.0
05010HR-34B	20.5	17.5	16.5
05010HR-35B	21.0	18.0	17.0
05010HR-36B	21.5	18.5	17.5
05010HR-37B	22.0	19.0	18.0
05010HR-38B	22.5	19.5	18.5
05010HR-39B	23.0	20.0	19.0
05010HR-40B	23.5	20.5	19.5
05010HR-41B	24.0	21.0	20.0
05010HR-42B	24.5	21.5	20.5
05010HR-43B	25.0	22.0	21.0
05010HR-44B	25.5	22.5	21.5
05010HR-45B	26.0	23.0	22.0
05010HR-46B	26.5	23.5	22.5
05010HR-47B	27.0	24.0	23.0
05010HR-48B	27.5	24.5	23.5
05010HR-49B	28.0	25.0	24.0
05010HR-50B	28.5	25.5	24.5

Specification

ITEM	SPEC
Voltage Rating	AC/DC 50V
Current Rating	AC/DC 0.5A
Operating Temperature	-25°C~+85°C
Contact Resistance	30mΩ MAX
Withstanding Voltage	AC500V/1min
Insulation Resistance	100MΩ MIN
Applicable Wire	-
Applicable P.C.B	0.8 ~ 1.6mm
Applicable FPC/FFC	0.30±0.05mm
Solder Height	0.15mm
Crimp Tensile Strength	-
UL FILE NO	-