

New Jersey Semi-Conductor Products, Inc.

20 STERN AVE.
 SPRINGFIELD, NEW JERSEY 07081
 U.S.A.

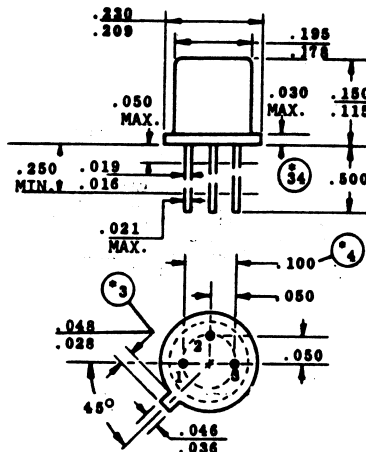
TELEPHONE: (973) 376-2922
 (212) 227-6005
 FAX: (973) 376-8960

PARAMETERS

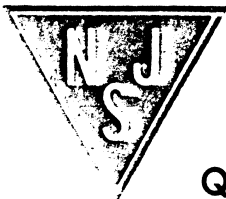
2N4145
 SCR, V(DRM) < 50 V

Description: SCR, V(DRM) < 50 V

Mil/High-Rel? (Y/N).....	
V(drm) Max.....	30
It(stat) Max. (A).....	250m
@Temp. (test) (°C).....	75
Supp Curr. I(TSM).....	8.0%
Firing Char-Igt Max.....	1.0m
Firing Char-Vgt Max.....	800m
Id(off) Max. (A).....	100u
@Temp. (test) (°C).....	110
I(h) Max. (A).....	5.0m
V(T) Max.....	2.5
@It (A).....	800m
Dv/Dt Worst Case.....	
t(switch) Off Typ. Time (S)...	
@It (test) (A).....	
t(switch) Off Typ. Time (S)...	
Oper. Temp (°C) Min.....	-60
Oper. Temp (°C) Max.....	110
Pkg Style.....	T0-52
Surface Mounted (Y/N).....	N



- NOTES:
3. Measured from maximum diameter of the actual device.
 4. Leads having maximum diameter .019 (.483MM) measured in gauging plane .054 + .001 - .000 (1.37MM + .025MM - .000MM) below the seating plane of the device shall be within .007 (.178MM) of their true locations.
 34. (All leads) Diameter is uncontrolled to .050 from seating plane and beyond minimum tolerance of lead length (1.5 or .5) from seating plane. Dim A applies between .050 and .250 from seating plane. Dim B applies between .250 and minimum tolerance of lead length from seating plane.



Quality Semi-Conductors