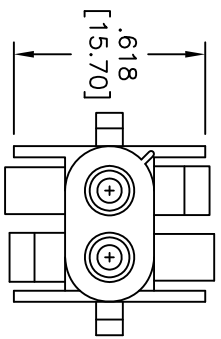
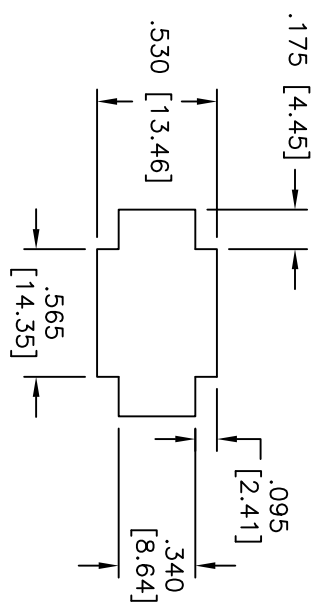
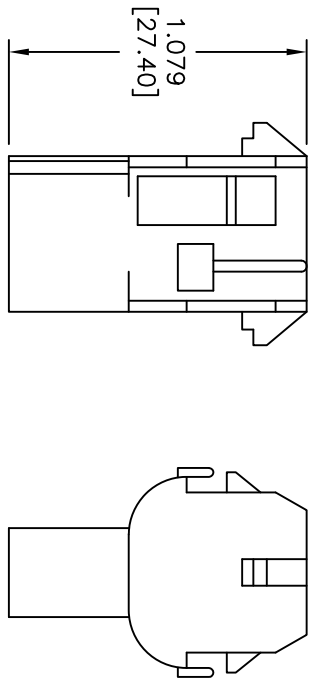
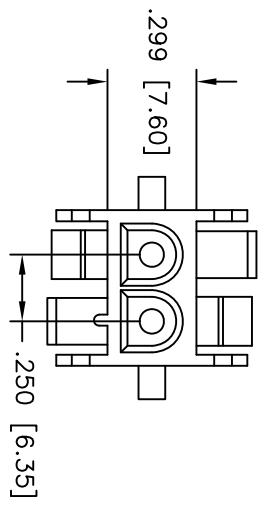


Rev	AWO #	Description	Date	Appr
-		RELEASED	11/19/10	

APPROVED: _____

DATE: _____ TITLE: _____



RECOMMENDED PANEL HOLE

SPECIFICATIONS:

Material: Insulator: Thermoplastic, rated UL94V-2
 Insulator color: Natural
 Contact: Copper Alloy
Electrical:
 Current rating: 13A
 Voltage rating: 600V
 Insulation resistance: 1,000 Mohms min.
 Withstand voltage: 5000V AC/ minute
 Temperature range: -55°C to +105°C
Environmental:
 Lead free, RoHS compliant.

ADAM TECH

909 Rahway Avenue, Union, NJ 07083
 Phone: 908-687-5000 Fax: 908-687-5710

TITLE: .250 [6.35] WIRE TO WIRE, FEMALE, 2 POLES

UNLESS OTHERWISE SPECIFIED ALL DIMENSIONS ARE INCHES [MM] TOLERANCES: EXCEPT AS NOTED	
INCHES	HOLDS
.X ± .10	ØX ± .10
.XX ± .020	ØXX ± .015
.XXX ± .015	ØXXX ± .010
APPROVALS	DATE
DRAWN DY	11/19/10
CHECKED	
APPROVED	

SIZE	PART NO.	REV.
X	DME-F-02	-
REF: S00004T	SCALE: NTS	SHEET 1 OF 1



6 5 4 3 2 1