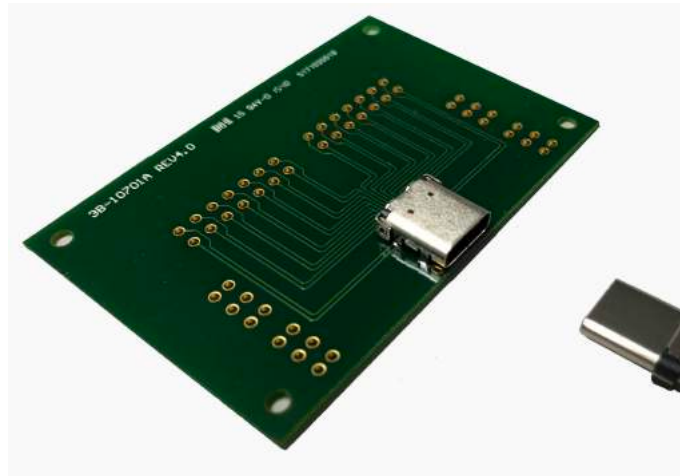


USB Type-C Connector

DSB Series

DDK Ltd.



OUTLINE

DSB Series is high speed transmission and reversible mating connector which are compatible with the USB Type-C specification.

FEATURE

- ◆ Transmission Speed: 10Gbps (USB3.1 Gen 2)
- ◆ USB Power Delivery
- ◆ USB Certification
- ◆ Durability (Repeated Mating/Unmating): 10,000cycles
- ◆ Receptacle is low profile On-board type with Hybrid(SMT+DIP) tail.
- ◆ Plug is Paddle card type.

APPRICATIONS

Smart Phone,Tablet, PC,FA appliances、 The other multimedia appliances

SPECIFICATIONS

Rated Voltage	20V AC (r.m.s.)
Rated Current	1.25A / Contact (Contact No.A1,A4,A9,A12,B1,B4,B5,B9,B12)
	0.25A / Contact (The others)
Dielectric Withstanding Voltage	100V AC (r.m.s) 1minute (Initial)
Contact Resistance	40 m Ω Max (Initial)
Number of Contacts	24

MATERIAL/FINISH



Item	Material/Finish
Contact	Copper Alloy / Contact Area : Au over Ni Plating / Tail Area : Sn over Ni Plating
Shell	Stainless Steel / Ni Plating
Insulator	Thermo Plastic (UL94V-0)

© Specifications and/or dimenssions in this catalogue are subject to change without notice.
Your catalogue checking the latest specifications with our drawings would be highly appreciated.

Conforming
Standard
USB Type-C

Transmission
Speed
10Gbps

▶ DSB Receptacle Connector

DSB-RE24-H1A

Mating Style
R : Receptacle

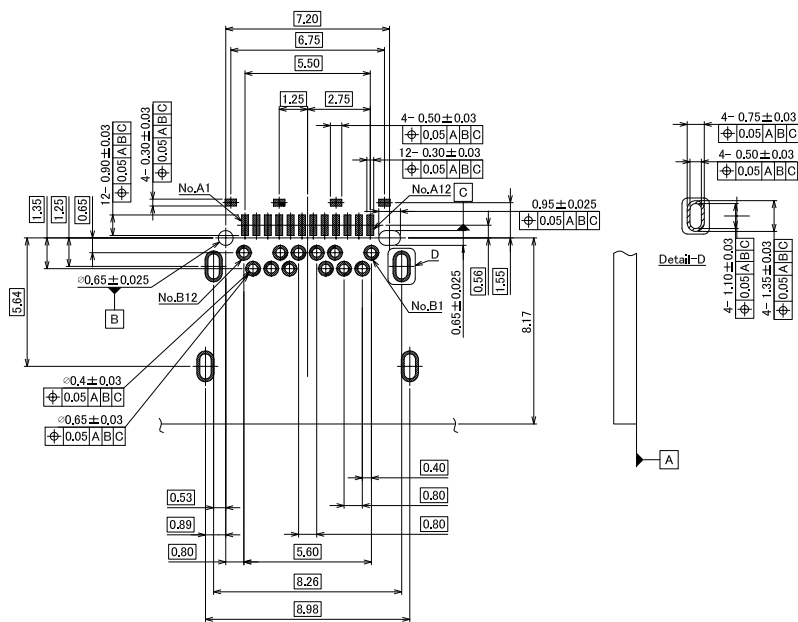
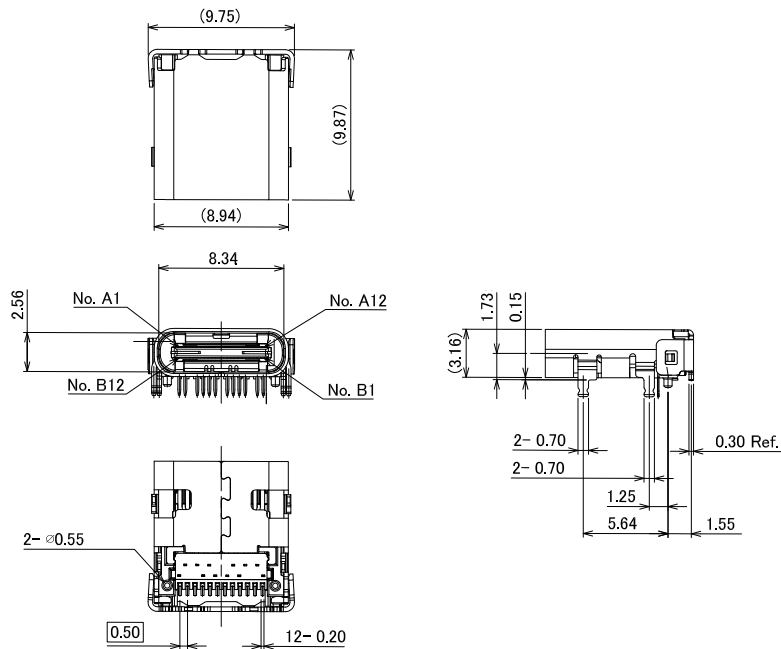
Connector Shape
E : USB Type-C Single Shell

Number of Contacts
24: 24pins

Tail Style
H : Hybrid (SMT12pins + DIP12pins)

Mounting Type
A : On-Board

Contact Plating
1 : Contact Area : Au(0.76 μ m) over Ni Plating
Tail Area : Sn over Ni Plating
3 : Contact Area : Au(Flash) over Ni Plating
Tail Area : Sn over Ni Plating

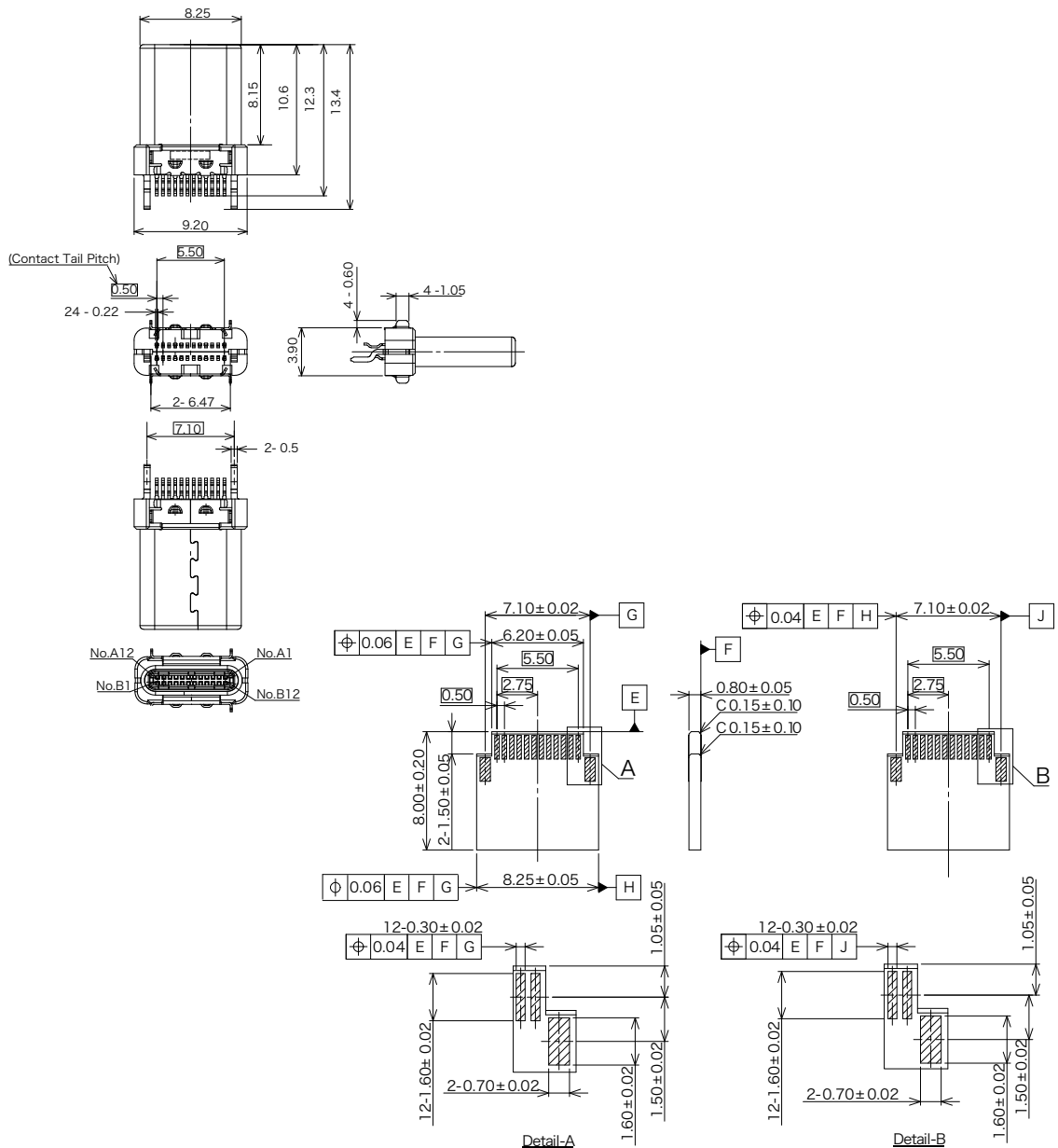
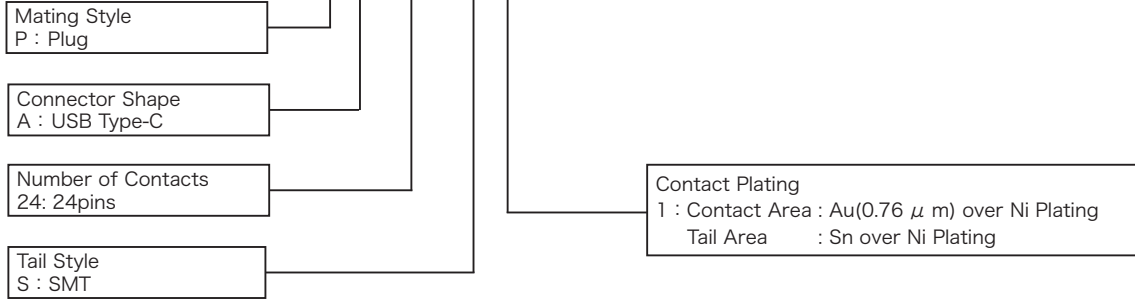


Recommend PCB Layout

© Specifications and/or dimensions in this catalogue are subject to change without notice.
Your catalogue checking the latest specifications with our drawings would be highly appreciated.

▶ DSB Plug Connector

DSB-PA24-S1



Recommend PCB Layout
(Paddle Card)

© Specifications and/or dimensions in this catalogue are subject to change without notice.
 Your catalogue checking the latest specifications with our drawings would be highly appreciated.
<http://www.ddknet.co.jp>