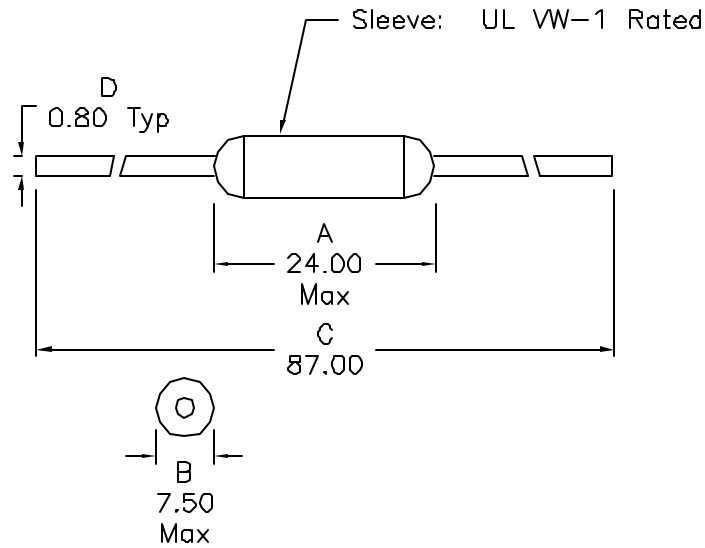
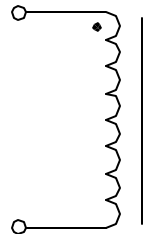


1. Mechanical Dimensions:



2. Schematic:



3. Electrical Specifications: @25°C

OCL: 7.00uH±20% @1MHz, 1.0V

DCR: 0.024 Ohms Max

Isat: 6.00 Adc

Notes:

1. Solderability: Leads shall meet MIL-STD-202G, Method 208H for solderability.
2. Flammability: UL94V-D
3. ASTM oxygen index: > 28%
4. Insulation System: Class F 155°C. UL file E151556
5. Operating Temperature Range: All listed parameters are to be within tolerance from -40°C to +85°C
6. Storage Temperature Range: -55°C to +125°C
7. Aqueous wash compatible
8. Electrical and mechanical specifications 100% tested
9. RoHS Compliant Component

Doc. Rev. A/1

PROPRIETARY Document is the property of XFMRS Group & is not allowed to be duplicated without authorization.

XFMRS Inc www.XFMRS.com	Title: Axial Leaded Inductor		
	UNLESS OTHERWISE SPECIFIED TOLERANCES: .xx ±0.25		P/N: XFAL2407-7ROM REV. A
Dimensions in MM	DWN.	Juan Mao	Jul-05-06
SCALE 2:1 SHT 1 OF 1	CHK.	YK Liao	Jul-05-06
	APP.	BW	Jul-05-06