

IEC Appliance Outlet J, Snap-in Mounting, Front Side, IDC Terminal



Arrangement "cross"  
(wires cross to pin axis)



Arrangement "along"  
(wires along to pin axis)



Arrangement "cross", view from rear side  
(wires cross to pin axis)



**Description**

- Panel Mount :  
Snap-in version , from front side
- Connector , Pin temperature 70 °C , Protection class I
- Wire gauge 10AWG/6.0mm<sup>2</sup>, 12AWG/4.0mm<sup>2</sup>, 2.5mm<sup>2</sup>
- IDC terminals acc. to IEC 60998-2-3 for solid wires

**Unique Selling Proposition**

- Reduces labor costs
- Allows wiring of multiple terminals at once
- Cross and along orientation
- V-Lock cord retaining standard

**Approvals**

- ENEC File Number: 40042639
- UL File Number: E103791
- CCC File Number: 2014010204668919

**Characteristics**

- Protection cover can be used as "wire press"
- Live contact available as IDC, solder or quick connect terminal
- ready to use with V-Lock cordsets
- Suitable for use in equipment according to IEC/UL 60950

**Other versions on request**

- Other panel thickness
- Versions with protection class II

**References**

Alternative: version for 10 A (15 A) 6610

**Weblinks**

[pdf-datasheet](#), [html-datasheet](#), [General Product Information](#), [RoHS](#), [CHINA-RoHS](#), [REACH](#), [Distributor-Stock-Check](#), [Accessories](#), [Detailed request for product](#)

The integration of light pipes in the appliance outlet provides status indication in smart PDUs. See Application Note for more information.

[Application Note](#)

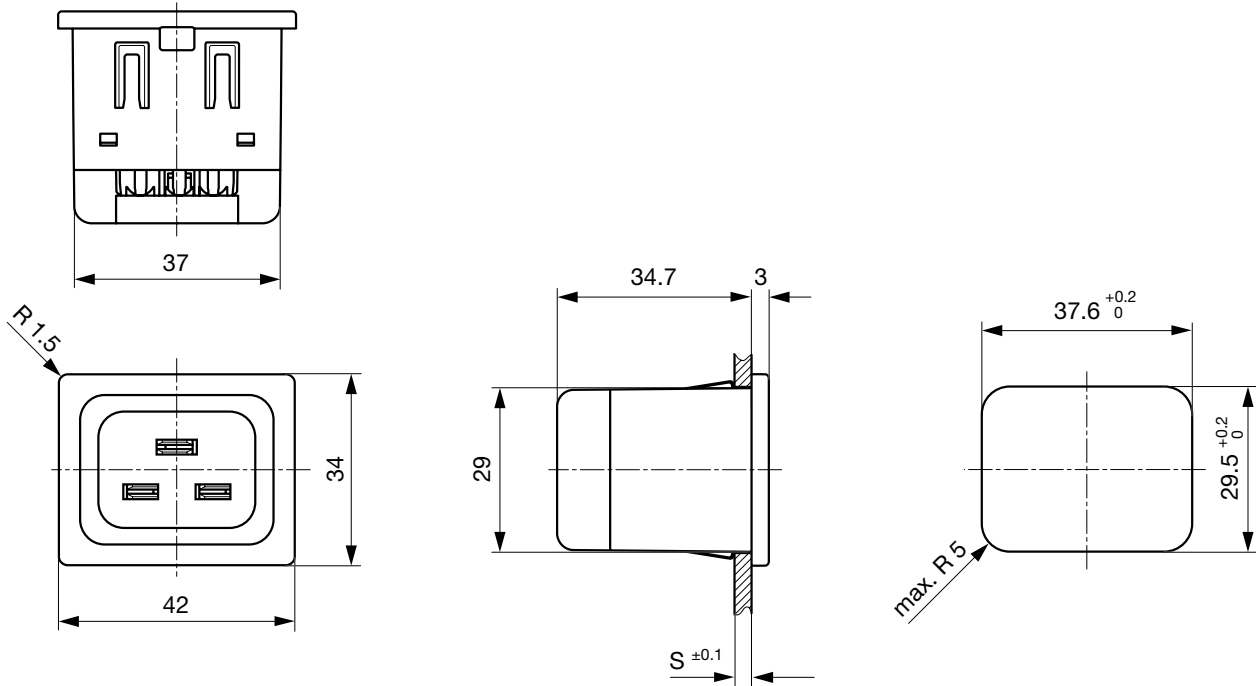
**Technical Data**

|                           |   |
|---------------------------|---|
| Ratings IEC               | 16A / 250VAC; 50Hz  |
| Ratings UL/CSA            | 20A / 250VAC; 60Hz  |
| Dielectric Strength       | > 2.5kVAC between L-N<br>> 1.5kVAC between L/N-PE<br>(1 min/50Hz) |
| Allowable Operation Temp. | -25°C to 70°C   |
| Insulation cover          | Suitable for appliances with protection class I acc. to IEC 61140 |
| Terminal                  | IDC terminals   |
| Panel Thickness s         | 1/1.2/1.5/2/2.5/3 mm  |
| Material: Housing         | Thermoplastic, black, UL 94V-0                                    |

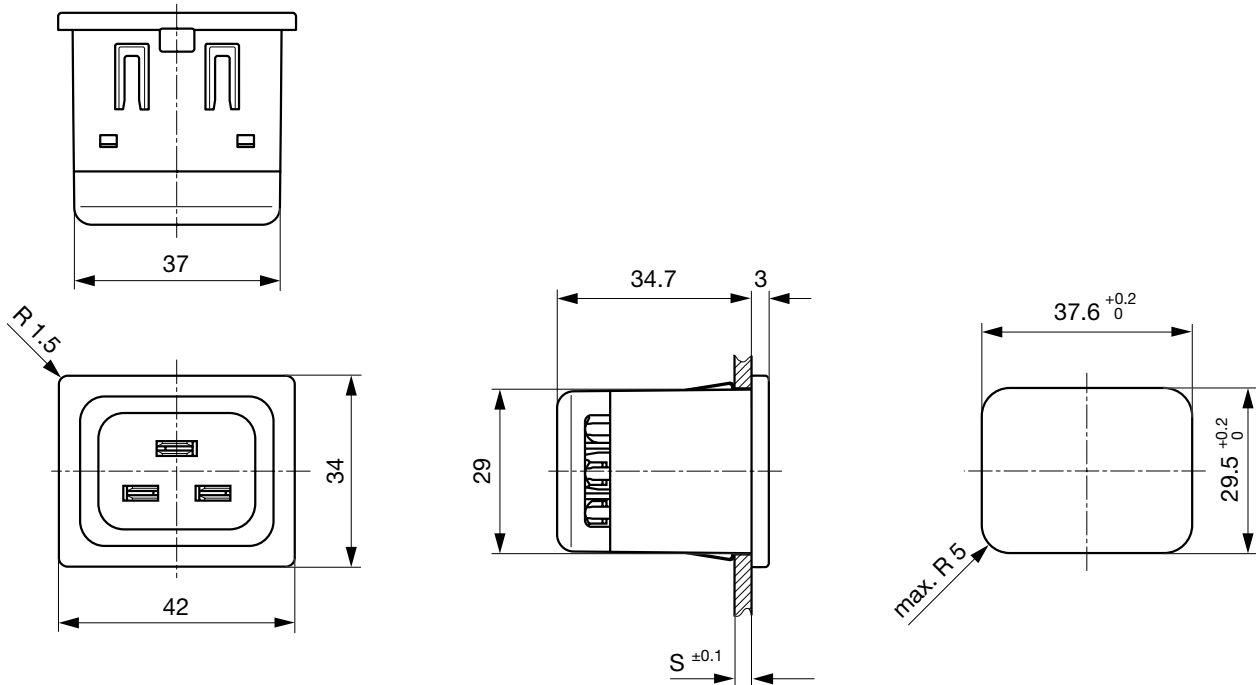
|                         |   |
|-------------------------|---|
| appliance inlet/-outlet | J acc. to IEC 60320-1,<br>UL 60320-1, CSA C22.2 no. 60320-1-11 , Protection Class I |
|-------------------------|---|

**Dimensions**

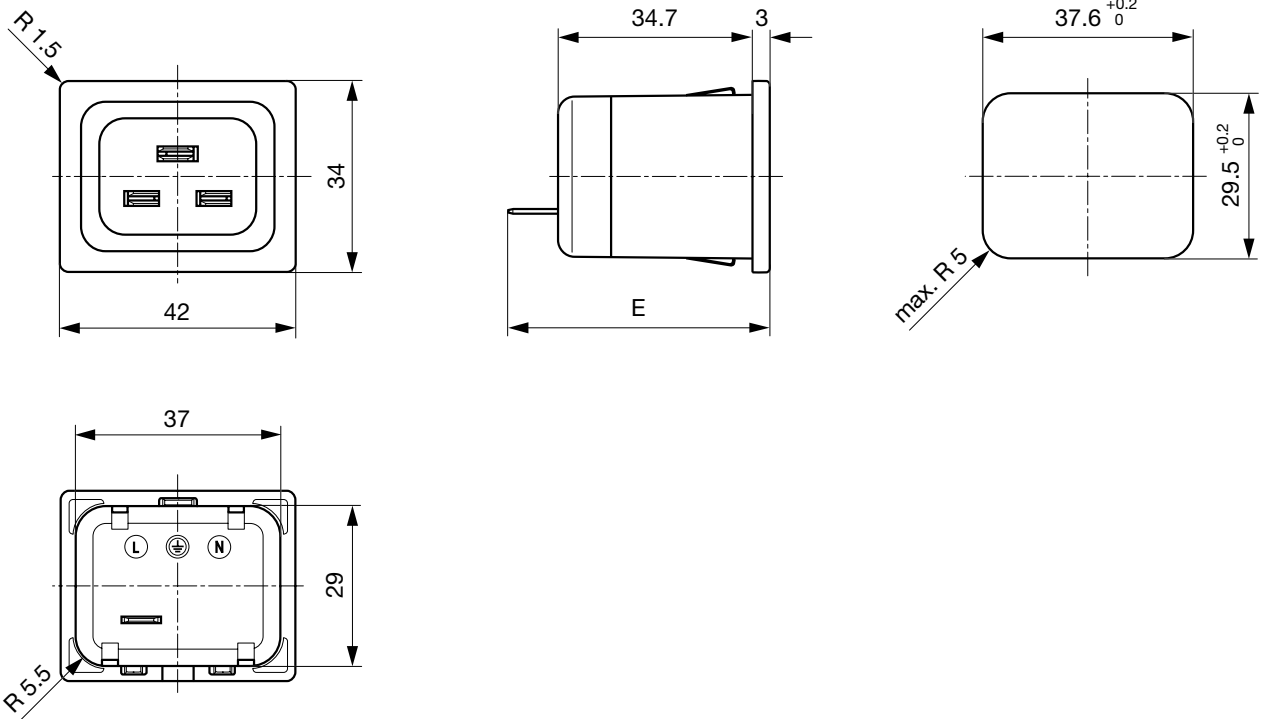
Version "cross" (wires cross to pin axis)  
L/N/PE: IDC terminals



Version "along" (wires along to pin axis)  
L/N/PE: IDC terminals

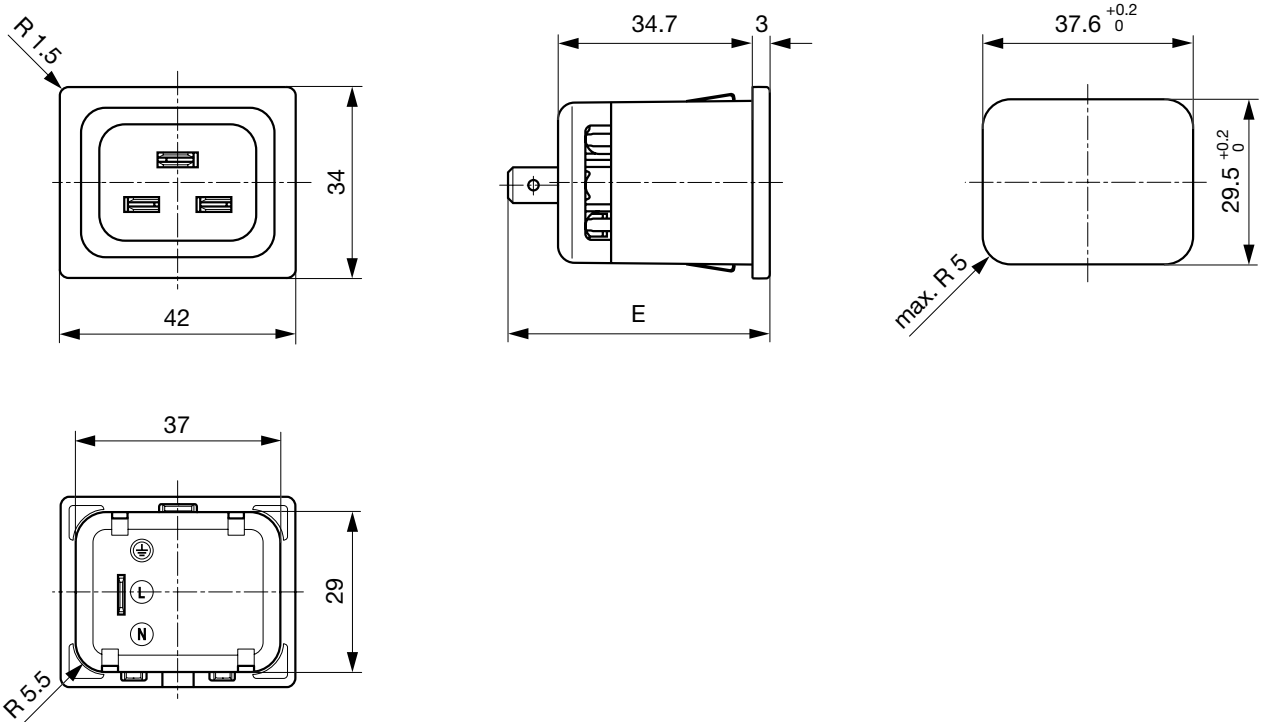


Version "cross" (wires cross to pin axis)  
N/PE: IDC terminals, L: quick connect or solder terminal



E: Quick connect terminal 6.3x0.8: 46.7 mm  
E: Solder terminal: 47.2 mm

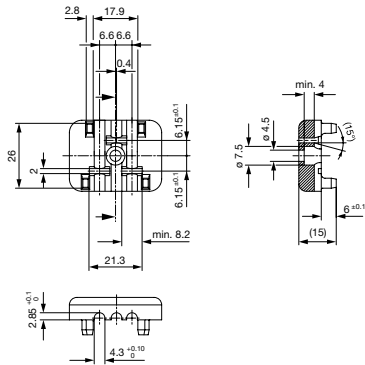
Version "along" (wires along to pin axis)  
N/PE: IDC terminals, L: quick connect or solder terminal



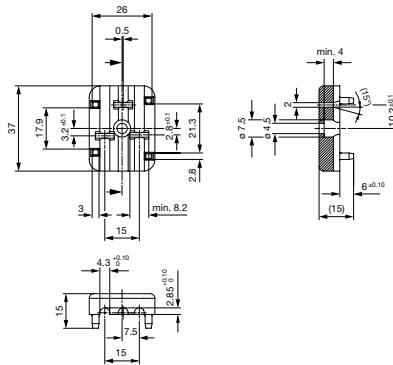
E: Quick connect terminal 6.3x0.8: 46.7 mm  
E: Solder terminal: 47.2 mm

**Assembly Instructions**

Mounting tool version "cross"



Mounting tool version "along"



**All Variants**

| Alignment <sup>1)</sup> | Conductor cross section      | Panel Thickness s [mm] | Terminal type live contact       | Order Number |   |
|-------------------------|------------------------------|------------------------|----------------------------------|--------------|---|
| along                   | 2.5 mm <sup>2</sup>          | 1.5                    | IDC terminal                     | 4710.6014    | ■ |
| along                   | 2.5 mm <sup>2</sup>          | 1.5                    | Quick connect terminal 6.3 x 0.8 | 4710.6254    | ■ |
| along                   | 2.5 mm <sup>2</sup>          | 1.5                    | Solder terminal                  | 4710.6154    | ■ |
| along                   | 4.0 mm <sup>2</sup> / 12 AWG | 1                      | IDC terminal                     | 4710.4012    |   |
| along                   | 4.0 mm <sup>2</sup> / 12 AWG | 1.5                    | IDC terminal                     | 4710.4014    | ■ |
| along                   | 4.0 mm <sup>2</sup> / 12 AWG | 1.5                    | Quick connect terminal 6.3 x 0.8 | 4710.4254    |   |
| along                   | 4.0 mm <sup>2</sup> / 12 AWG | 1.5                    | Solder terminal                  | 4710.4154    |   |
| along                   | 6.0 mm <sup>2</sup> / 10 AWG | 1.5                    | IDC terminal                     | 4710.2014    |   |
| along                   | 6.0 mm <sup>2</sup> / 10 AWG | 1.5                    | Quick connect terminal 6.3 x 0.8 | 4710.2254    |   |
| along                   | 6.0 mm <sup>2</sup> / 10 AWG | 1.5                    | Solder terminal                  | 4710.2154    |   |
| cross                   | 2.5 mm <sup>2</sup>          | 1.5                    | IDC terminal                     | 4710.5014    | ■ |
| cross                   | 2.5 mm <sup>2</sup>          | 1.5                    | Quick connect terminal 6.3 x 0.8 | 4710.5254    | ■ |
| cross                   | 2.5 mm <sup>2</sup>          | 1.5                    | Solder terminal                  | 4710.5154    | ■ |
| cross                   | 4.0 mm <sup>2</sup> / 12 AWG | 1.5                    | IDC terminal                     | 4710.3014    | ■ |
| cross                   | 4.0 mm <sup>2</sup> / 12 AWG | 2                      | IDC terminal                     | 4710.3015    | ■ |
| cross                   | 4.0 mm <sup>2</sup> / 12 AWG | 1.5                    | Quick connect terminal 6.3 x 0.8 | 4710.3254    | ■ |
| cross                   | 4.0 mm <sup>2</sup> / 12 AWG | 1.5                    | Solder terminal                  | 4710.3154    |   |
| cross                   | 6.0 mm <sup>2</sup> / 10 AWG | 1.5                    | IDC terminal                     | 4710.1014    |   |
| cross                   | 6.0 mm <sup>2</sup> / 10 AWG | 1.5                    | Quick connect terminal 6.3 x 0.8 | 4710.1254    |   |
| cross                   | 6.0 mm <sup>2</sup> / 10 AWG | 1.5                    | solder terminal                  | 4710.1154    |   |

■ Most Popular.

Availability for all products can be searched real-time: <http://www.schurter.com/Stock-Check/Stock-Check-SCHURTER>

1) The alignment describes whether the wires are along or across to the connector pin axis.

**Packaging unit** 50 Pcs

## Mating Inlets/Plugs

### Category / Description



[Plug Overview complete](#)

|   |      |
|---|------|
| IEC Plug I, Cord Connector (Rewireable), Straight | 4796 |
| IEC Plug I, Cord Connector (Rewireable), Angled   | 4789 |

[Plug further types to 4710](#)

## Mating Inlets/Plugs shuttered



[Interconnection Cord Overview complete](#)

|   |           |
|---|-----------|
| VAC19KS, Interconnection, V-Lock cord retaining, 2.0 m, Connector IEC C19, H05VV-F3G1.5 / SJT 3x14 AWG, black | 3-100-362 |
| VAC19KS, Interconnection, V-Lock cord retaining, 3.0 m, Connector IEC C19, H05VV-F3G1.5 / SJT 3x14 AWG, black | 3-100-363 |
| VAC19KS, Interconnection, V-Lock cord retaining, 1.0 m, Connector IEC C19, H05VV-F3G1.5, black                | 6051.2147 |
| VAC19KS, Interconnection, V-Lock cord retaining, 1.0 m, Connector IEC C19, H05VV-F3G1.5 / SJT 3x14 AWG, black | 6051.2197 |
| VAC19KS, Interconnection, V-Lock cord retaining, 2.0 m, Connector IEC C19, H05VV-F3G1.5, black                | 6051.2047 |

[Interconnection Cord further types to 4710](#)