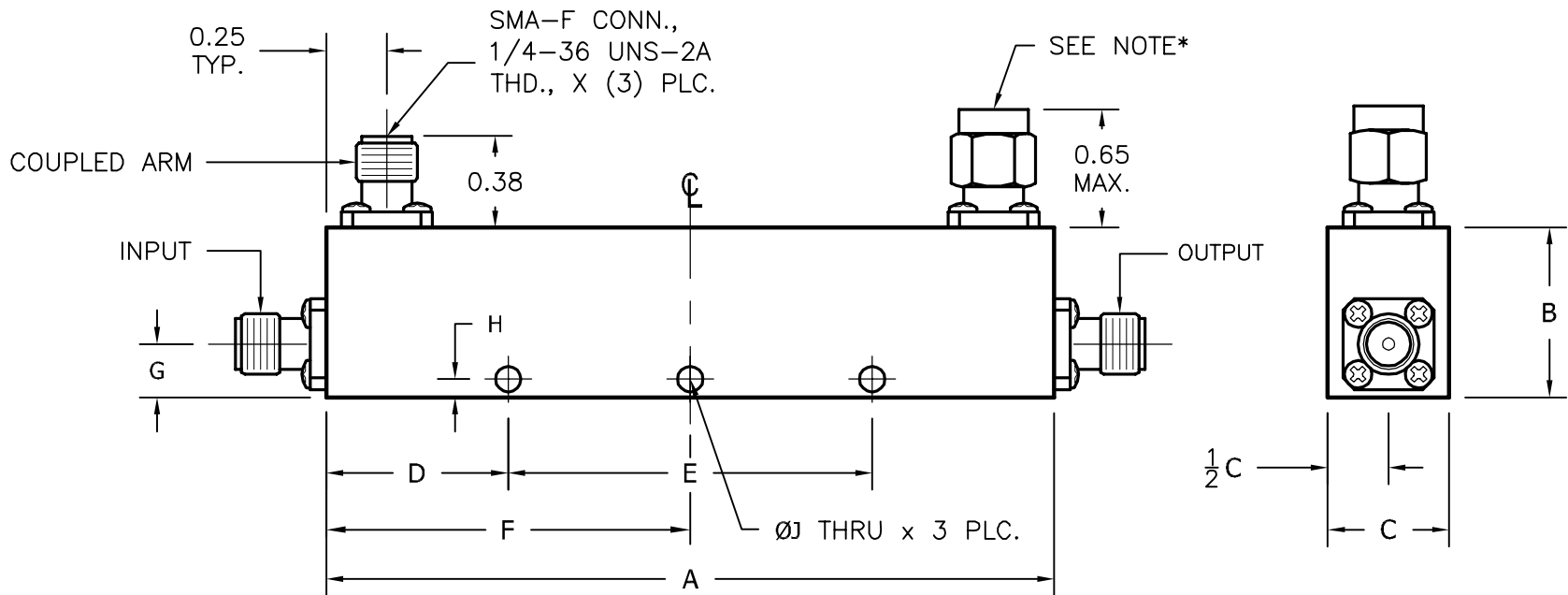


REV A	AUTH RL	DATE 07/17/01	INITIAL RELEASE
REV B	AUTH RL	DATE 8/13/02	UPDATED DIMENSION TABLE VALUES.
REV C	AUTH RL	DATE 06/4/04	UPDATED NOTES, TABLE
REV D	AUTH RL	DATE 8/24/07	TITLE BLOCK UPDATED, TERMINATION NOTES ADDED.



DIMENSIONS IN INCHES

FIGURE	A	B	C	D	E	F	G	H	J
1	3.60	0.53	0.38	0.50	2.60	---	0.22	0.075	0.105
2	3.60	0.60	0.38	0.50	2.60	---	0.22	0.075	0.105
3	3.70	0.70	0.38	0.50	2.70	---	0.22	0.075	0.105
4	2.90	0.68	0.38	0.45	2.00	---	0.34	0.150	0.149
5	2.90	0.60	0.38	0.45	2.00	---	0.22	0.075	0.105
6	1.78	0.68	0.38	0.45	0.875	---	0.34	0.150	0.149
7	1.88	0.60	0.38	0.44	1.00	---	0.22	0.075	0.105
8	1.22	0.55	0.38	0.42	0.375	---	0.22	0.075	0.105
9	1.22	0.60	0.38	0.42	0.375	---	0.22	0.075	0.105
10	1.00	0.50	0.38	---	---	0.50	0.22	0.075	0.105
11	4.40	0.60	0.38	0.50	3.40	---	0.24	0.075	0.105
12	3.47	0.70	0.38	0.74	2.00	---	0.26	0.100	0.105
13	3.47	0.70	0.50	0.74	2.00	---	0.26	0.340	0.105
14	2.10	0.70	0.38	0.55	1.00	---	0.26	0.100	0.105
15	2.09	0.70	0.50	0.55	1.00	---	0.26	0.340	0.105
16	1.36	0.60	0.38	0.43	0.50	---	0.26	0.090	0.105
17	1.36	0.66	0.38	0.43	0.50	---	0.26	0.090	0.105
18	1.06	0.63	0.38	---	---	0.53	0.38	0.093	0.105

*NOTE: SECONDARY TERMINATION CAN BE INTERNAL OR EXTERNAL DEPENDING ON MODEL AND SHOULD NOT BE REMOVED. FOR CONNECTORIZED LOADS CONSULT FACTORY.

THIRD ANGLE PROJECTION:		APPROVALS	DATE		ADVANCED TECHNICAL MATERIALS, INC.		THE INFORMATION IN THIS DRAWING IS PROPRIETARY AND SHALL NOT BE REPRODUCED OR DISCLOSED WITHOUT THE PRIOR WRITTEN CONSENT OF ATM, INC. DO NOT SCALE DWG.
UNLESS OTHERWISE NOTED, DIMENSIONS ARE IN INCHES, TOLERANCES ARE: FRACTIONS: ±1/64 ANGLES: ±1/2°		DRAWN RL	7/17/01		TEL: (631) 289-0363 FAX: (631) 289-0358		
BASIC DIMENSION		DECIMALS 2 PLACE	3 PLACE	APRVD.	OUTLINE, DIRECTIONAL COUPLER, SMA, MULTI-BAND		
UNDER 6"	±.02	±.005	MATERIAL -				
6" - 12"	±.03	±.010	TREATMENT -				
OVER 12"	±.06	±.015	FINISH ATM STD. GRAY	SIZE A	CAGE CODE OR8N4	ATM DWG # 4445W	REVISION D
		SCALE NONE	MODEL # C12XX-XX			SHEET 1/1	