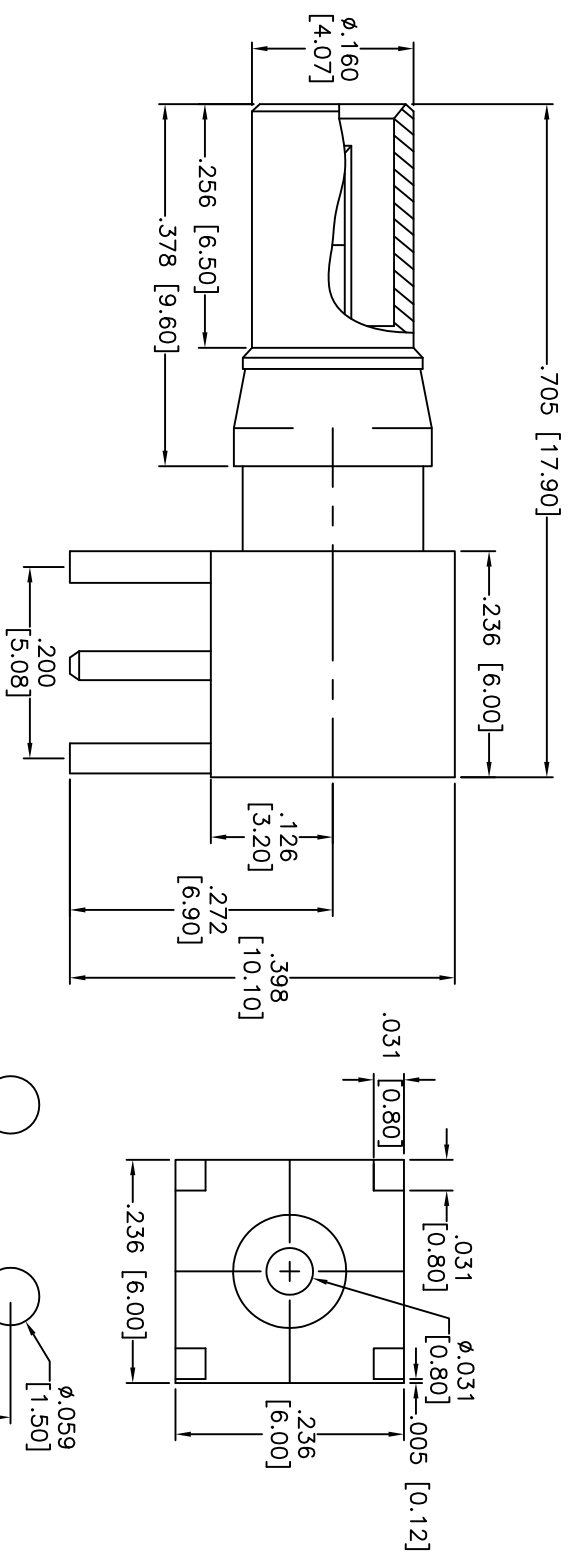
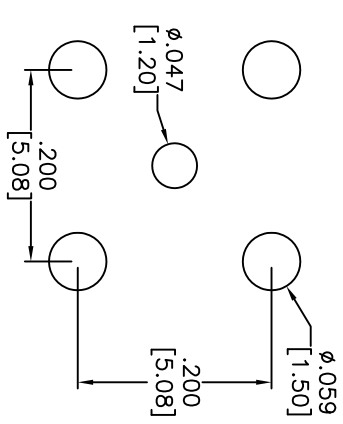


Rev	AWO #	Description	Date	Appr
-	10616	RELEASED	10/19/10	

APPROVED: \_\_\_\_\_  
 DATE: \_\_\_\_\_ TITLE: \_\_\_\_\_



PIN	BRASS	GOLD
BODY	BRASS	GOLD
INSULATOR	TEFLON	NOLD
DESCRIPTION	MATERIAL	FINISH



UNLESS OTHERWISE SPECIFIED  
 ALL DIMENSIONS ARE MM [INCHES]  
 TOLERANCES: EXCEPT AS NOTED  
 INCHES  
 .X ± .10 ØXX ± .10  
 .XX ± .020 ØXXX ± .015  
 .XXX ± .015 ØXXXX ± .010  
 APPROVALS DATE

**ADAM TECH**  
 909 Railway Avenue, Union, NJ 07083  
 Phone: 908-687-5000 Fax: 908-687-5710  
 TITLE: BULKHEAD ANGLE JACK, w/ PCB CONNECTION  
 1.0/2.0 INSERT 500HM

SPECIFICATIONS:  
 Environmental:  
 Lead free, RoHS compliant.



DRAWN	DY	10/19/10
CHECKED		
APPROVED		

SIZE	PART NO.	REV.
X	RF25-06-T-00-50-G	
REF:	500049T	SCALE: NTS
		SHEET 1 OF 1