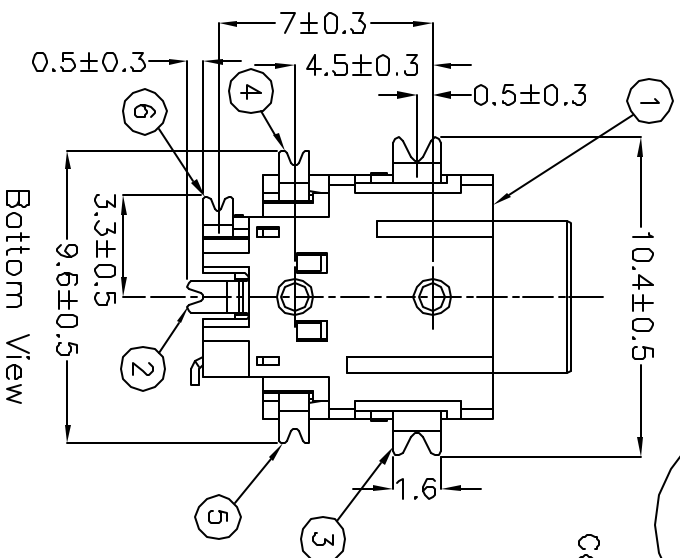
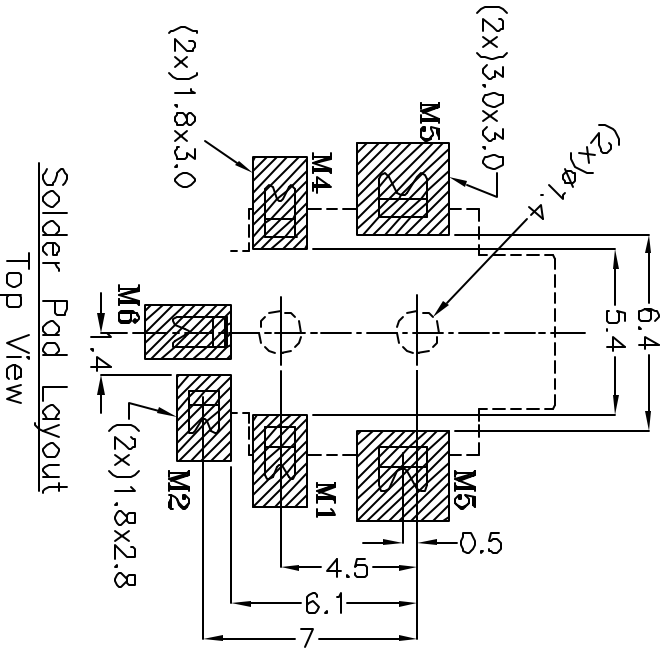
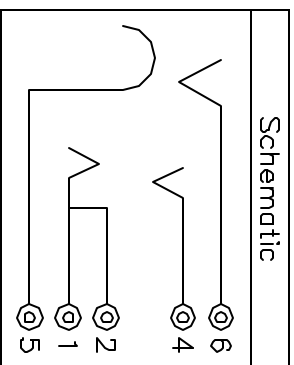


0.15mm  
Coplanarity



| Item | Name           | Material  | Finish | Qty | Note |
|------|----------------|-----------|--------|-----|------|
| 6    | R-Shunt(M2)    | Brass     | Silver | 1   | 25T  |
| 5    | Tip(M4)        | Cu-Ti     | Silver | 1   | 25T  |
| 4    | Ring(M1)       | PBS(5210) | Silver | 1   | 20T  |
| 3    | Extra Ring(M5) | PBS(5210) | Silver | 1   | 20T  |
| 2    | Ground(M6)     | PBS(5210) | Silver | 1   | 20T  |
| 1    | Housing(P1)    | NY6T/NY9T |        | 1   |      |



9615 SW Allen, Suite 103  
Beaverton, OR 97005  
Phone: (503) 643-4899  
800-275-4899  
Fax: (503) 372-1266  
Website: www.cui.com

**Specifications**  
 Rated Voltage: 16 VDC  
 Rated Current: 300mA  
 Contact Resistance: 100 mOHMS or less under all conditions including after life testing.  
 Insulation Resistance: 100 M OHMS or greater at 500 VDC.  
 Dielectric Withstand Voltage: 500V AC RMS for 1 minute  
 Life: 5,000 cycles min.

Solder Pad Layout  
Top View

Bottom View