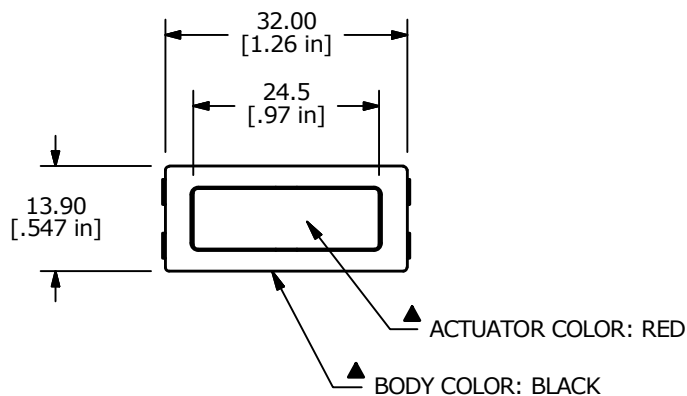
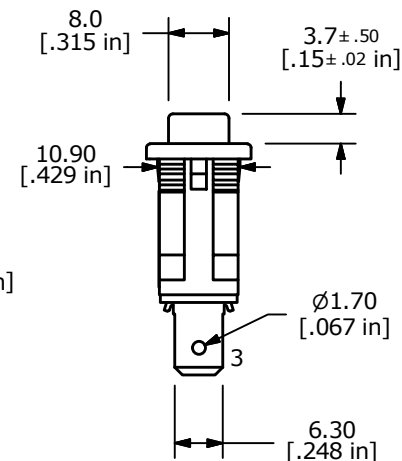
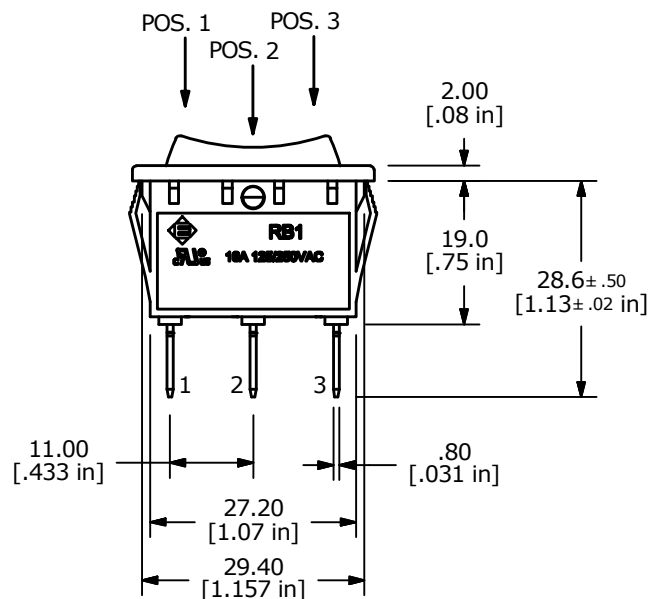
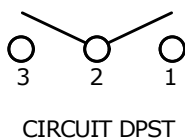


PANEL CUTOUT

PANEL THICKNESS	(x)	TOLERANCE
0.75 - 1.25 mm	30.0	+0.1/-0
1.25 - 2.00 mm	30.2	+0.1/-0
2.00 - 3.00 mm	30.5	+0.1/-0



SWITCH FUNCTION		
POS. 1	POS. 2	POS. 3
ON	OFF	ON
2-3	OPEN	2-1



NOTE:

1. DIMENSIONS IN MM [INCH]
2. GENERAL TOLERANCE: X.X = ± 0.4
X.XX = ± 0.25
3. TERMINAL NUMBERS FOR REF ONLY
4. CONTACT MATERIAL: SILVER
- ▲ 5. CONTACT RATINGS: 16A @ 125/250VAC [cURus]
6. CONTACT RESISTANCE: 20mΩ MAX. INITIAL
7. INSULATION RESISTANCE: 100MΩ MIN. @ 500VDC
8. DIELECTRIC STRENGTH: 1,000VAC FOR 1 MINUTE
9. ELECTRICAL LIFE: 6,000 CYCLES [cURus]
10. OPERATING TEMPERATURE: -20°C TO 55°C [cURus]
11. ▲ DENOTES CRITICAL PARAMETER
12. 2011/65/EU (ROHS) COMPLIANT



A	22171	RELEASE FOR PRODUCTION	2/24/16	MW
REV	PCR NO	DESCRIPTION	DATE	BY

TITLE RB145E1900				
SCALE 1:1	DATE 2/24/2016	DR MW	DWG 14-RB145E1900	REV A

THE INFORMATION CONTAINED IN THIS DOCUMENT IS PROPRIETARY TO E-SWITCH AND IS NOT TO BE COPIED OR TRANSFERRED