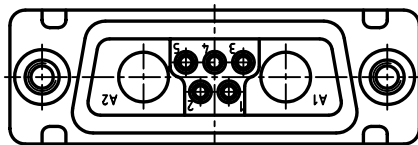
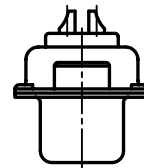
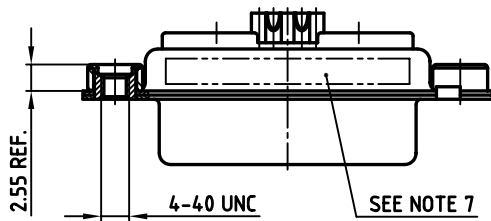
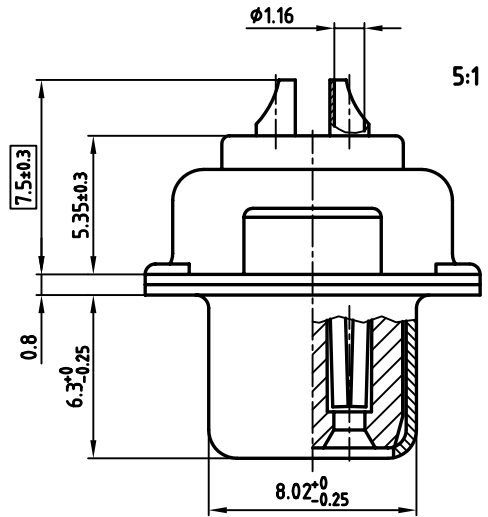
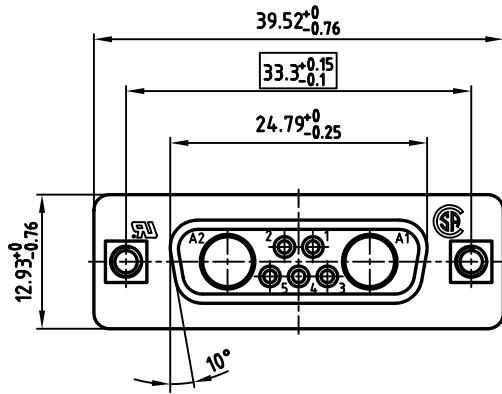


used for: D-SUB COMBINATION



NOTES:

1. METALSHELLS: STEEL; min. 320 µ" TIN
2. INSULATORS: PBT GF, UL 94 V-0; GREEN
3. CONTACTS: COPPER ALLOY
PLATING: MIN. 30µ" HARD GOLD OVER MIN. 50µ" NICKEL
SOLDER CUP ACCEPTS CABLE AWG 20
4. THREADED INSERT: COPPER ALLOY; min. 200µ" TIN over 80µ" NICKEL
5. COLLAR: COPPER ALLOY; min. 200µ" TIN over 80µ" NICKEL
6. MAXIMUM TORQUE VALUE FOR THREAD: 6" LBS
7. CONNECTOR IS PART MARKED: 3007W2SCM99A30X CONEC Y/WW
8. = CRITICAL DIMENSION

Directive 2002/95/EC
 „RoHS“
 Compliant

THIS DRAWING MAY NOT BE COPIED OR REPRODUCED IN ANY WAY, AND MAY NOT BE PASSED ON TO A THIRD PARTY, WITHOUT WRITTEN PERMISSION. OWNERSHIP AND COPYRIGHT OF CONEC GmbH DO NOT ALTER CAD DRAWING BY HAND

tolerance			scale:	2:1 (5:1)			
			material:	SEE NOTES			
2002	date	name	title: D-SUB COMBINATION FEMALE 7W2S SOLDER CUP with threaded insert				
drawn	11.11.	Parei					
appd.	11.11.	Kühle					
norm							
d-old			dwg no:	AutoCAD 2000	DIN-A		
CONEC [®]			13K2A691		3		
			part no: 3007W2SCM99A30X		sh: 1/1		
rev.	description	date	name				