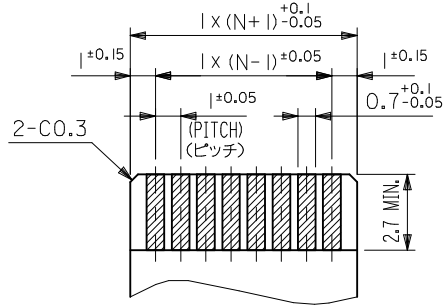
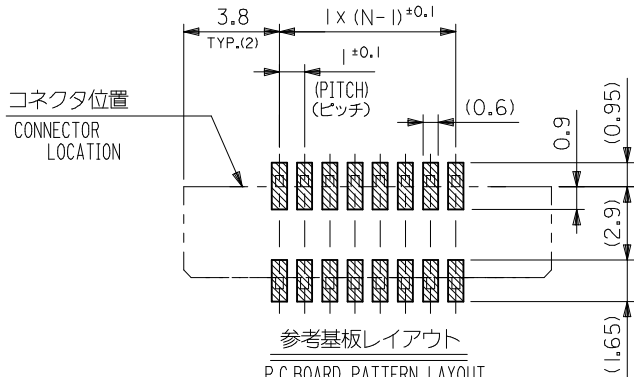


|  |  |                           |   |                   |   |                        |
|--|--|---------------------------|---|-------------------|---|------------------------|
| REVISED<br>EC NO: J2014-0169<br>2013/07/25<br>DRWN: INOUE01<br>2013/07/29<br>CHKD: HIJIMA<br>2013/08/05<br>APPR: YNOGAWA | GENERAL TOLERANCES (UNLESS SPECIFIED)                |                           | DIMENSION STYLE<br>MM ONLY  | SCALE<br>---      | DESIGN UNITS<br>METRIC  | THIRD ANGLE PROJECTION |
|  | 10 UNDER   | ±0.2                      | DRAWN BY<br>H. SHIMABUKUR   | DATE<br>'04/31/17 | TITLE<br>1.0 FPC CONN ZIF FOR SMT (ST) WITH TAPE -LEAD FREE-  |                        |
|  | 10 OVER 30 UNDER                                     | ±0.25                     | CHECKED BY<br>K. TOJO   | DATE<br>'04/31/17 | <b>molex</b><br>DOCUMENT NO. SD-52610-034<br>SHEET NO. 1 OF 2 |                        |
|  | 30 OVER  | ±0.3                      | APPROVED BY<br>M. SASAO   | DATE<br>'04/31/17 |   |                        |
| ANGULAR ±3 °   | DRAFT WHERE APPLICABLE MUST REMAIN WITHIN DIMENSIONS | MATERIAL NO.<br>SEE CHART | THIS DRAWING CONTAINS INFORMATION THAT IS PROPRIETARY TO MOLEX INCORPORATED AND SHOULD NOT BE USED WITHOUT WRITTEN PERMISSION |                   |   |                        |



適合FPC推奨寸法  
APPLICABLE FPC RECOMMENDED DIM.  
仕上がり厚さ(THICKNESS): 0.3 ±0.05



参考基板レイアウト  
P.C. BOARD PATTERN LAYOUT  
(REFERENCE)

注記 (NOTES):

- 材料 (MATERIAL)  
ハウジング (HOUSING): 46NYLON, UL94V-0  
アクチュエータ (ACTUATOR): PPS, UL94V-0  
ターミナル (TERMINAL): リン青銅, ニッケル下地, 錫-ビスマスメッキ (t0.32)  
PHOS-BRO. TIN-BISMUTH OVER NICKEL PLATED (A)
- エンボステープ梱包時は、アクチュエータがロックした状態とする。  
IN THE PACKAGE, ACTUATOR OF PART NO. 52610-\*\*59 SHOULD BE LOCKED.
3. ソルダータール半田付け面のズレ量は、基準面 [F] に対し上方向 0.05 MAX., 下方向 0.15 MAX. とする。  
MISALIGNMENT OF SOLDER TAILS FROM [F] UPPER DIRECTION: 0.05 MAX., LOWER DIRECTION: 0.15 MAX.
4. 偶数極に適用。  
APPLY FOR EVEN CIRCUIT.
5. 本製品は 52610-\*\*57 の鉛フリー品である。  
THIS PRODUCT IS LEAD FREE OF 52610-\*\*57

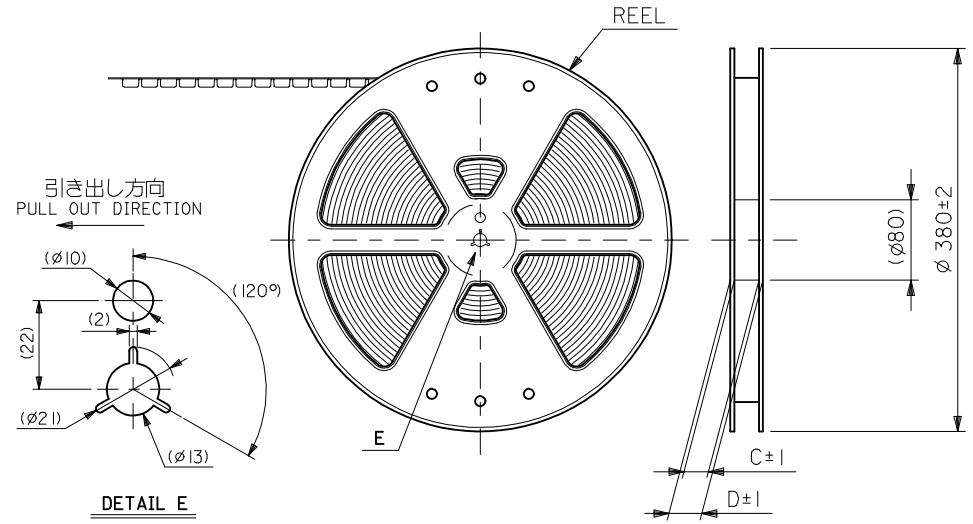
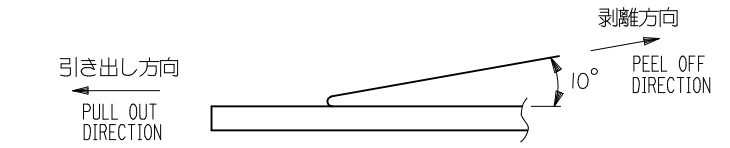
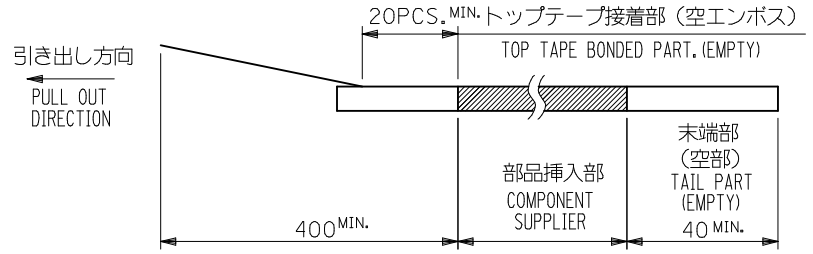
|      |       |      |     |               |      |
|------|-------|------|-----|---------------|------|
| 36.6 | 34.85 | 31.2 | 29  | 52610-3059    | 30   |
| 35.6 | 33.85 | 30.2 | 28  | -2959         | 29   |
| 34.6 | 32.85 | 29.2 | 27  | -2859         | 28   |
| 33.6 | 31.85 | 28.2 | 26  | -2759         | 27   |
| 32.6 | 30.85 | 27.2 | 25  | -2659         | 26   |
| 31.6 | 29.85 | 26.2 | 24  | -2559         | 25   |
| 30.6 | 28.85 | 25.2 | 23  | -2459         | 24   |
| 29.6 | 27.85 | 24.2 | 22  | -2359         | 23   |
| 28.6 | 26.85 | 23.2 | 21  | -2259         | 22   |
| 27.6 | 25.85 | 22.2 | 20  | -2159         | 21   |
| 26.6 | 24.85 | 21.2 | 19  | -2059         | 20   |
| 25.6 | 23.85 | 20.2 | 18  | -1959         | 19   |
| 23.6 | 21.85 | 18.2 | 16  | -1759         | 17   |
| 22.6 | 20.85 | 17.2 | 15  | -1659         | 16   |
| 21.6 | 19.85 | 16.2 | 14  | -1559         | 15   |
| 20.6 | 18.85 | 15.2 | 13  | -1459         | 14   |
| 19.6 | 17.85 | 14.2 | 12  | -1359         | 13   |
| 18.6 | 16.85 | 13.2 | 11  | -1259         | 12   |
| 17.6 | 15.85 | 12.2 | 10  | -1159         | 11   |
| 16.6 | 14.85 | 11.2 | 9   | -1059         | 10   |
| 15.6 | 13.85 | 10.2 | 8   | -0959         | 9    |
| 14.6 | 12.85 | 9.2  | 7   | -0859         | 8    |
| 13.6 | 11.85 | 8.2  | 6   | -0759         | 7    |
| 12.6 | 10.85 | 7.2  | 5   | 52610-0659    | 6    |
| D    | (C)   | B    | (A) | MATERIAL. NO. | CKT. |

|  |   |                            |                           |  |                        |  |  |
|--|---|----------------------------|---------------------------|--|------------------------|--|--|
| REVISED<br>EC NO: J2014-0169<br>DRWN: NIINOUE01 2013/07/25<br>CHKD: HIJIMA 2013/07/29<br>APPR: YNOGAWA 2013/08/05<br>B | DESCRIPTION<br>GENERAL TOLERANCES (UNLESS SPECIFIED)<br>10 UNDER ±0.2<br>10 OVER 30 UNDER ±0.25<br>30 OVER ±0.3<br>ANGULAR ±3 °<br>DRAFT WHERE APPLICABLE MUST REMAIN WITHIN DIMENSIONS | DIMENSION STYLE<br>MM ONLY | SCALE<br>---              | DESIGN UNITS<br>METRIC                                       | THIRD ANGLE PROJECTION |  |  |
|  |   | DRAWN BY<br>H. SHIMABUKUR  | DATE<br>'04/31/17         | TITLE<br>1.0 FPC CONN ZIF FOR SMT (ST) WITH TAPE -LEAD FREE- |                        |  |  |
|  |   | CHECKED BY<br>K. TOJO      | DATE<br>'04/31/17         | APPROVED BY<br>M. SASAO                                      |                        |  |  |
|  |   | DATE<br>'04/31/17          | MATERIAL NO.<br>SEE CHART | DOCUMENT NO.<br>SD-52610-034                                 | SHEET NO.<br>2 OF 2    |  |  |

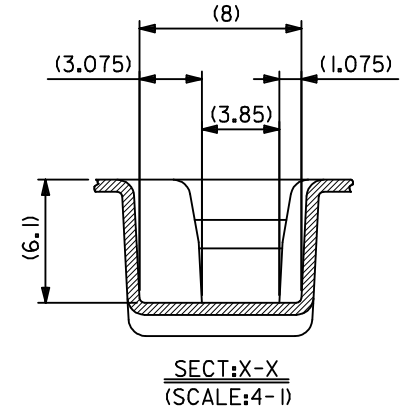
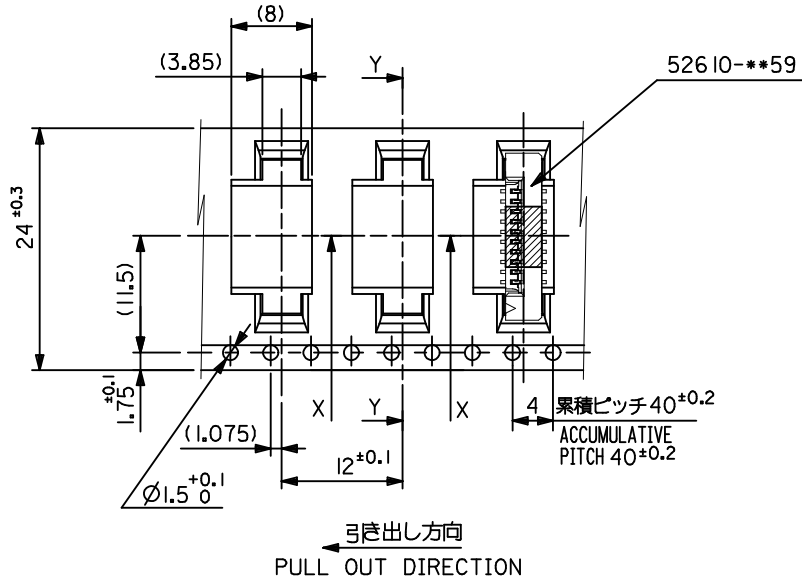
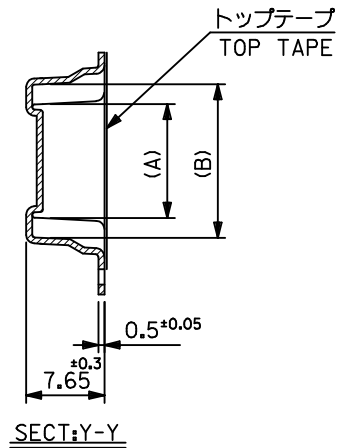
THIS DRAWING CONTAINS INFORMATION THAT IS PROPRIETARY TO MOLEX INCORPORATED AND SHOULD NOT BE USED WITHOUT WRITTEN PERMISSION

NOTES

1. 梱包数量：1000個/リール  
NUMBER OF CONNECTORS : 1000PCS/REEL
2. リードテープ長さ LEAD TAPE LENGTH  
20PCS. MIN. トップテープ接着部 (空エンボス)  
TOP TAPE BONDED PART. (EMPTY)  
部品挿入部  
COMPONENT SUPPLIER  
末端部 (空部)  
TAIL PART (EMPTY)  
40 MIN.
3. トップテープの剥離強度：0.1N ~ 1.3N(10gf ~ 130gf)  
(剥離方向は下図参照)  
尚、本規格値は出荷時に適用。(但し、輸送時に剥離が発生しないこと。)  
PEELING OFF FORCE OF TOP TAPE : 0.1N ~ 1.3N(10gf ~ 130gf)  
(PEELING DIRECTION AS SHOWN IN FOLLOWING FIG.)  
THIS REQUIREMENT SHOULD BE APPLIED AT SHIPMENT.  
PEEL OFF SHOULD NOT BE ALLOWED , DURING TRANSPORTATION.
4. 52610-\*\*-59のアクチュエータはハウジング内に押し下げた状態とする。  
詳細寸法については 製品単体図面を参照下さい。  
ACTUATOR OF PART NO. 52610-\*\*-59 SHOULD BE LOCKED.  
FOR DETAIL OF CONNECTOR DIMENSIONS, PLEASE SEE THE DRAWING OF ITSELF.
5. 材料 (MATERIAL)  
キャリアテープ (CARRIER TAPE) : ポリプロピレン (POLYPROPYLENE)  
トップテープ (TOPTAPE) : PET , PE , PEF  
リール (REEL) : ポリスチレン (PS) <リサイクル材を含む>  
POLYSTYRENE (PS) <RECYCLE MATERIAL CONTAINED>
6. 本製品は 52610-\*\*-94 の鉛フリー品である。  
THIS PRODUCT IS LEAD FREE OF 52610-\*\*-94
7. 本製品は乾燥剤入り、ハイバリア梱包仕様である。  
THIS PRODUCT IS HIGH BARRIER PACKAGE WITH DESICCANT.



|  |                    |  |       |   |                    |  |                        |  |
|--|--------------------|--|-------|---|--------------------|--|------------------------|--|
| REVISED<br>EC NO: J2014-0169<br>2013/07/25<br>DRWN: INOUE01<br>2013/07/29<br>CHKD: HIJIMA<br>2013/08/05<br>APPR: YNOGAWA | DESCRIPTION<br>REV | GENERAL TOLERANCES (UNLESS SPECIFIED)                |       | DIMENSION STYLE<br>MM ONLY  | SCALE<br>---       | DESIGN UNITS<br>METRIC   | THIRD ANGLE PROJECTION |  |
|  |                    | 10 UNDER   | ±0.3  | DRAWN BY<br>H. SHIMABUKUR   | DATE<br>2004/03/17 | TITLE<br>1.0 FPC CONN SMT ZIF WITH TAPE EMBSTP PKG -LEAD FREE- |                        |  |
|  |                    | 10 OVER 30 UNDER                                     | ±0.25 | CHECKED BY<br>K. TOJO   | DATE<br>2004/03/17 | molex<br>SD-52610-035  |                        |  |
|  |                    | 30 OVER  | ±0.2  | APPROVED BY<br>M. SASAO   | DATE<br>2004/03/17 |  |                        |  |
| ANGULAR ±3 °   |                    | DRAFT WHERE APPLICABLE MUST REMAIN WITHIN DIMENSIONS |       | THIS DRAWING CONTAINS INFORMATION THAT IS PROPRIETARY TO MOLEX INCORPORATED AND SHOULD NOT BE USED WITHOUT WRITTEN PERMISSION |                    |  |                        |  |

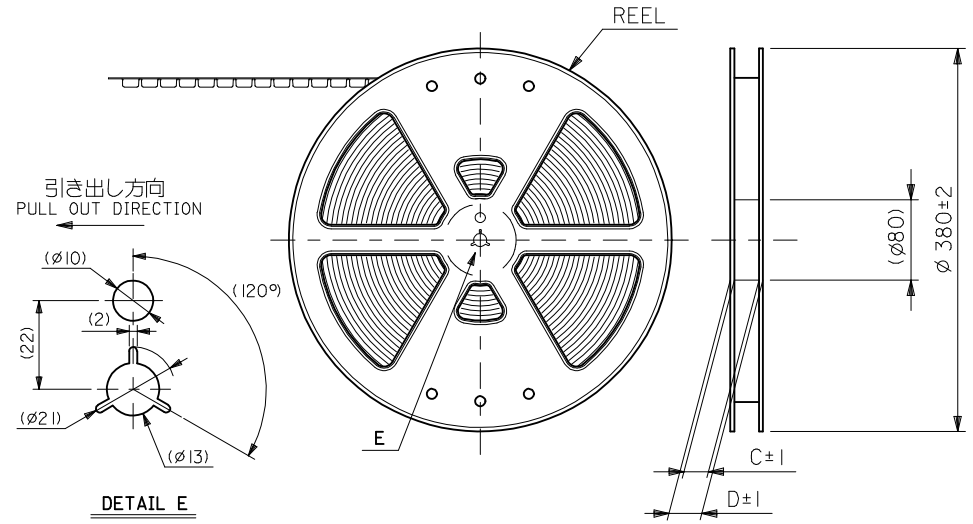
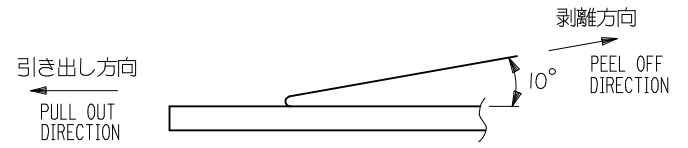
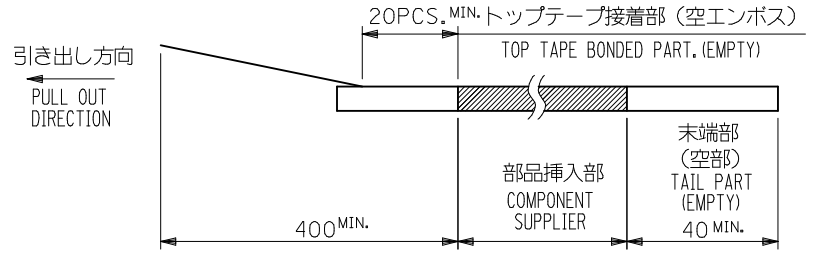


|                           |                                |   |   |       |       |               |            |
|---------------------------|--------------------------------|---|---|-------|-------|---------------|------------|
| 52610-***75<br>MODEL. NO. | キャリアテープ幅<br>CARRIER TAPE WIDTH | D | C | 15.25 | 11.32 | 52610-1075    | 10         |
|                           |                                |   |   | 14.25 | 10.32 | 52610-0975    | 9          |
|                           |                                |   |   | 13.25 | 9.32  | 52610-0875    | 8          |
|                           |                                |   |   | 12.25 | 8.32  | 52610-0775    | 7          |
|                           |                                |   |   | 11.25 | 7.32  | 52610-0675    | 6          |
|                           |                                |   |   | (B)   | (A)   | MATERIAL. NO. | 極数<br>CKT. |

|   |                    |                                       |            |   |            |  |                        |  |
|---|--------------------|---------------------------------------|------------|---|------------|--|------------------------|--|
| REVISED<br>EC NO: J2014-0169<br>DRWN: INOUE01 2013/07/25<br>CHKD: HIJIMA 2013/07/29<br>APPR: YNOGAWA 2013/08/05 | DESCRIPTION<br>REV | GENERAL TOLERANCES (UNLESS SPECIFIED) |            | DIMENSION STYLE   | SCALE      | DESIGN UNITS   | THIRD ANGLE PROJECTION |  |
|   |                    |                                       |            | MM ONLY   | ---        | METRIC   | ◎ □                    |  |
|   |                    | 10 UNDER                              | ±0.3       | DRAWN BY  | DATE       | TITLE  |                        |  |
|   |                    | 10 OVER 30 UNDER                      | ±0.25      | H. SHIMABUKUR   | 2004/03/17 | 1.0 FPC CONN SMT ZIF WITH TAPE EMBSTP PKG -LEAD FREE-      |                        |  |
|   |                    | 30 OVER                               | ±0.2       | CHECKED BY  | DATE       | <b>molex</b><br>DOCUMENT NO. SD-52610-035 SHEET NO. 2 OF 5 |                        |  |
| ANGULAR ±3 °  |                    | K. TOJO                               | 2004/03/17 |   |            |  |                        |  |
| DRAFT WHERE APPLICABLE MUST REMAIN WITHIN DIMENSIONS  |                    | APPROVED BY                           | DATE       | SEE CHART   |            |  |                        |  |
|   |                    | M. SASAO                              | 2004/03/17 | THIS DRAWING CONTAINS INFORMATION THAT IS PROPRIETARY TO MOLEX INCORPORATED AND SHOULD NOT BE USED WITHOUT WRITTEN PERMISSION |            |  |                        |  |
|   |                    | MATERIAL NO.                          |            |   |            |  |                        |  |

NOTES

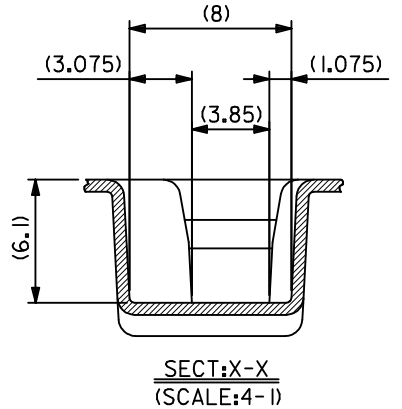
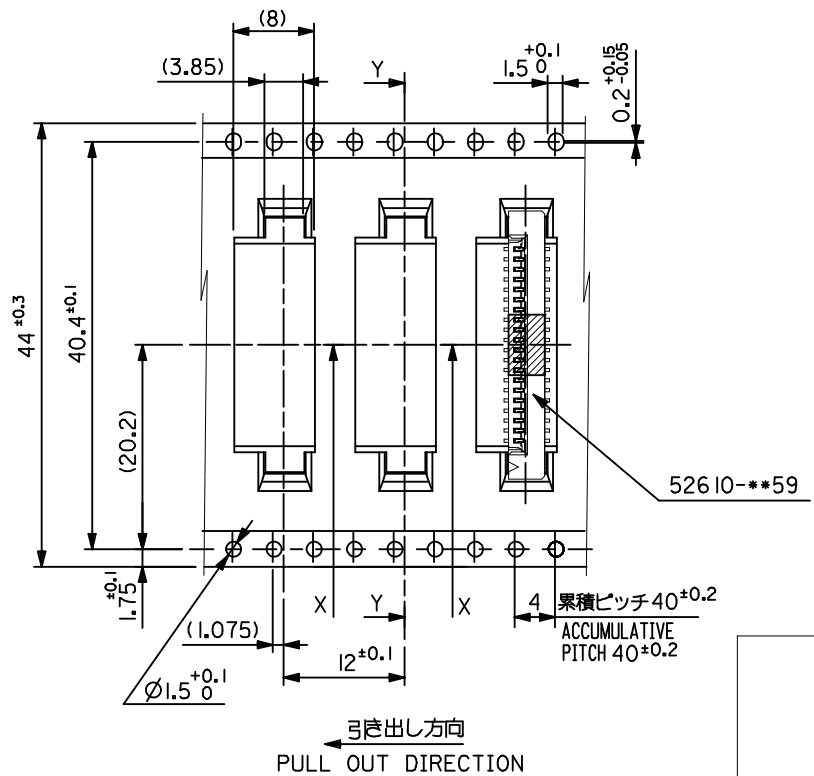
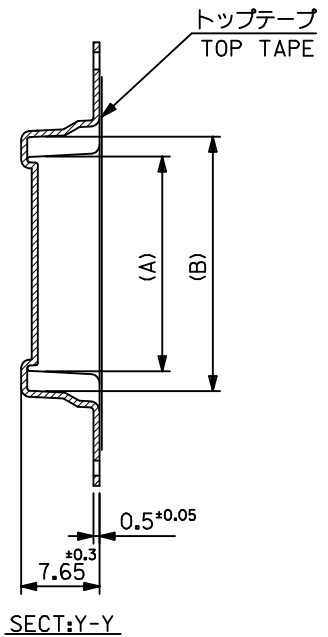
1. 梱包数量：1000個/リール  
NUMBER OF CONNECTORS : 1000PCS/REEL
2. リードテープ長さ LEAD TAPE LENGTH  
20PCS. MIN. トップテープ接着部 (空エンボス)  
TOP TAPE BONDED PART. (EMPTY)  
部品挿入部  
COMPONENT SUPPLIER  
末端部 (空部)  
TAIL PART (EMPTY)  
40 MIN.
3. トップテープの剥離強度：0.1N ~ 1.3N(10gf ~ 130gf)  
(剥離方向は下図参照)  
尚、本規格値は出荷時に適用。(但し、輸送時に剥離が発生しないこと。)  
PEELING OFF FORCE OF TOP TAPE : 0.1N ~ 1.3N(10gf ~ 130gf)  
(PEELING DIRECTION AS SHOWN IN FOLLOWING FIG.)  
THIS REQUIREMENT SHOULD BE APPLIED AT SHIPMENT.  
PEEL OFF SHOULD NOT BE ALLOWED , DURING TRANSPORTATION.
4. 52610-\*\*-59のアクチュエータはハウジング内に押し下げた状態とする。  
詳細寸法については 製品単体図面を参照下さい。  
ACTUATOR OF PART NO. 52610-\*\*-59 SHOULD BE LOCKED.  
FOR DETAIL OF CONNECTOR DIMENSIONS, PLEASE SEE THE DRAWING OF ITSELF.
5. 材料 (MATERIAL)  
キャリアテープ (CARRIER TAPE) : ポリプロピレン (POLYPROPYLENE)  
トップテープ (TOPTAPE) : PET , PE , PEF  
リール (REEL) : ポリスチレン (PS) <リサイクル材を含む>  
POLYSTYRENE (PS) <RECYCLE MATERIAL CONTAINED>
6. 本製品は 52610-\*\*-94 の鉛フリー品である。  
THIS PRODUCT IS LEAD FREE OF 52610-\*\*-94
7. 本製品は乾燥剤入り、ハイバリア梱包仕様である。  
THIS PRODUCT IS HIGH BARRIER PACKAGE WITH DESICCANT.



DETAIL E

52610-\*\*-75 MODEL NO.

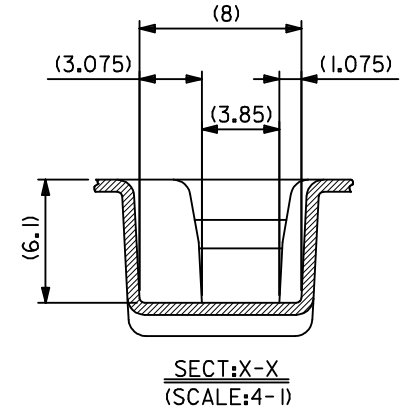
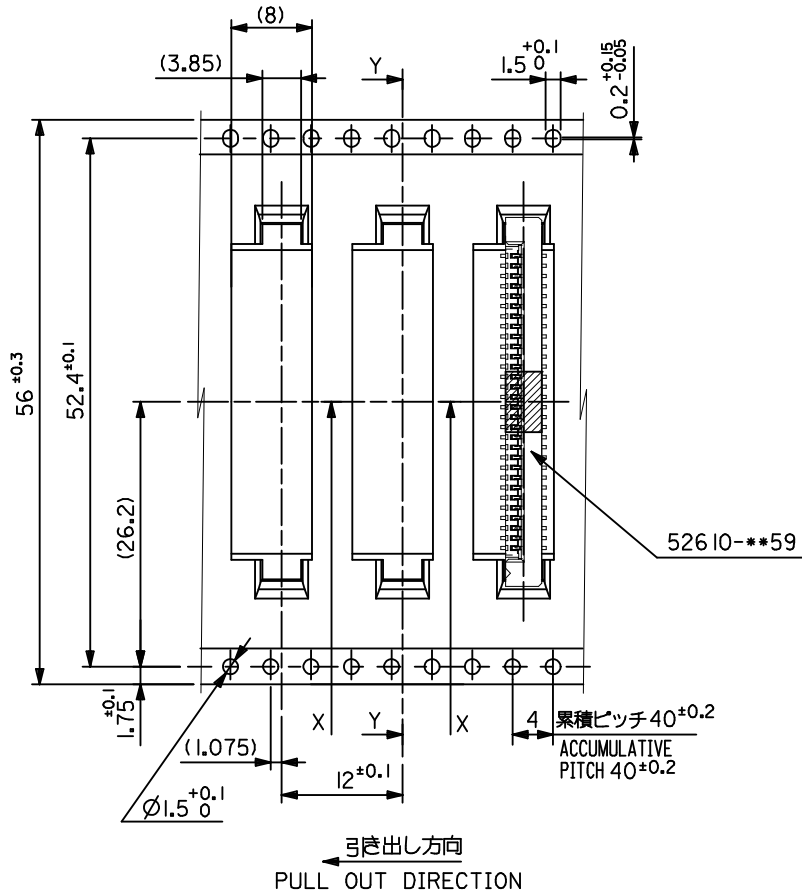
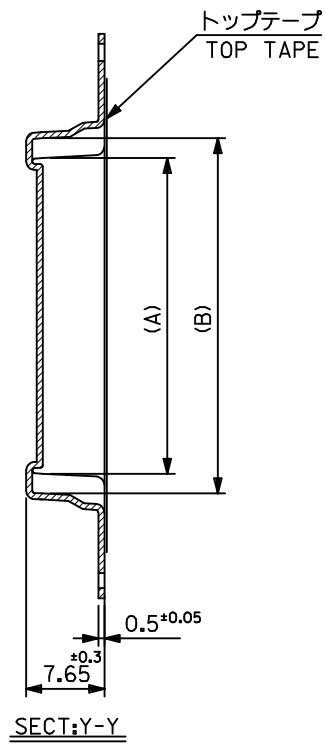
|  |                    |  |       |   |                    |  |                        |  |
|--|--------------------|--|-------|---|--------------------|--|------------------------|--|
| REVISED<br>EC NO: J2014-0169<br>2013/07/25<br>DRWN: INOUE01<br>2013/07/29<br>CHKD: HIJIMA<br>2013/07/29<br>APPR: YNOGAWA<br>2013/08/05 | DESCRIPTION<br>REV | GENERAL TOLERANCES (UNLESS SPECIFIED)                |       | DIMENSION STYLE<br>MM ONLY  | SCALE<br>---       | DESIGN UNITS<br>METRIC   | THIRD ANGLE PROJECTION |  |
|  |                    | 10 UNDER   | ±0.3  | DRAWN BY<br>H. SHIMABUKUR   | DATE<br>2004/03/17 | TITLE<br>1.0 FPC CONN SMT ZIF WITH TAPE EMBSTP PKG -LEAD FREE- |                        |  |
|  |                    | 10 OVER 30 UNDER                                     | ±0.25 | CHECKED BY<br>K. TOJO   | DATE<br>2004/03/17 | molex<br>SD-52610-035  |                        |  |
|  |                    | 30 OVER  | ±0.2  | APPROVED BY<br>M. SASAO   | DATE<br>2004/03/17 |  |                        |  |
| ANGULAR ±3 °   |                    | DRAFT WHERE APPLICABLE MUST REMAIN WITHIN DIMENSIONS |       | THIS DRAWING CONTAINS INFORMATION THAT IS PROPRIETARY TO MOLEX INCORPORATED AND SHOULD NOT BE USED WITHOUT WRITTEN PERMISSION |                    |  |                        |  |



|             |                    |   |   |     |     |               |      |
|-------------|--------------------|---|---|-----|-----|---------------|------|
| 52610-***75 | キャリアテープ幅           | D | C | (B) | (A) | MATERIAL. NO. | 極数   |
| MODEL. NO.  | CARRIER TAPE WIDTH |   |   |     |     |               | CKT. |

|    |      |      |       |       |            |    |
|----|------|------|-------|-------|------------|----|
| 44 | 49.4 | 45.4 | 31.25 | 27.32 | 52610-2675 | 26 |
|    |      |      | 30.25 | 26.32 | 52610-2575 | 25 |
|    |      |      | 29.25 | 25.32 | 52610-2475 | 24 |
|    |      |      | 28.25 | 24.32 | 52610-2375 | 23 |
|    |      |      | 27.25 | 23.32 | 52610-2275 | 22 |
|    |      |      | 26.25 | 22.32 | 52610-2175 | 21 |
|    |      |      | 25.25 | 21.32 | 52610-2075 | 20 |
|    |      |      | 24.25 | 20.32 | 52610-1975 | 19 |
|    |      |      | 21.25 | 17.32 | 52610-1675 | 16 |

|   |  |              |   |   |   |                        |                        |
|---|--|--------------|---|---|---|------------------------|------------------------|
| REVISED<br>EC NO: J2014-0169<br>DRWN: INOUE01 2013/07/25<br>CHKD: HIJIMA 2013/07/29<br>APPR: YNOGAWA 2013/08/05 | GENERAL TOLERANCES (UNLESS SPECIFIED)                |              | DIMENSION STYLE<br>MM ONLY                |   | SCALE<br>---  | DESIGN UNITS<br>METRIC | THIRD ANGLE PROJECTION |
|   | 10 UNDER   | ±0.3         | DRAWN BY DATE<br>H. SHIMABUKUR 2004/03/17 |   | TITLE<br>1.0 FPC CONN SMT ZIF WITH TAPE EMBOSTP PKG -LEAD FREE- |                        |                        |
|   | 10 OVER 30 UNDER                                     | ±0.25        | CHECKED BY DATE<br>K. TOJO 2004/03/17     |   |   |                        |                        |
|   | 30 OVER  | ±0.2         | APPROVED BY DATE<br>M. SASAO 2004/03/17   |   |   |                        |                        |
|   | ANGULAR ±3 °   | MATERIAL NO. |   | DOCUMENT NO.  | SHEET NO.   |                        |                        |
|   | DRAFT WHERE APPLICABLE MUST REMAIN WITHIN DIMENSIONS | SEE CHART    |   | SD-52610-035  |   | 4 OF 5                 |                        |
|   |  | SIZE A3      |   | THIS DRAWING CONTAINS INFORMATION THAT IS PROPRIETARY TO MOLEX INCORPORATED AND SHOULD NOT BE USED WITHOUT WRITTEN PERMISSION |   |                        |                        |



|             |                                |      |      |       |       |               |            |
|-------------|--------------------------------|------|------|-------|-------|---------------|------------|
| 52610-***75 | 56                             | 61.4 | 57.4 | 35.25 | 31.32 | 52610-3075    | 30         |
| MODEL.NO.   | キャリアテープ幅<br>CARRIER TAPE WIDTH | D    | C    | 33.25 | 29.32 | 52610-2875    | 28         |
|             |                                |      |      | (B)   | (A)   | MATERIAL. NO. | 極数<br>CKT. |

|   |  |   |                            |                         |  |                              |                        |
|---|--|---|----------------------------|-------------------------|--|------------------------------|------------------------|
| REVISED<br>EC NO: J2014-0169<br>DRWN: INOUE01 2013/07/25<br>CHKD: HIJIMA 2013/07/29<br>APPR: YNOGAWA 2013/08/05 | GENERAL TOLERANCES (UNLESS SPECIFIED)                |   | DIMENSION STYLE<br>MM ONLY |                         | SCALE<br>---   | DESIGN UNITS<br>METRIC       | THIRD ANGLE PROJECTION |
|   | 10 UNDER   | ±0.3  | DRAWN BY<br>H. SHIMABUKUR  |                         | TITLE<br>1.0 FPC CONN SMT ZIF WITH TAPE EMBSTP PKG -LEAD FREE- |                              |                        |
|   | 10 OVER 30 UNDER                                     | ±0.25   | DATE<br>2004/03/17         |                         |  |                              |                        |
|   | 30 OVER  | ±0.2  | CHECKED BY<br>K. TOJO      |                         |  |                              |                        |
|   | ANGULAR ±3 °   | DATE<br>2004/03/17  |                            | APPROVED BY<br>M. SASAO |  | DOCUMENT NO.<br>SD-52610-035 | SHEET NO.<br>5 OF 5    |
|   | DRAFT WHERE APPLICABLE MUST REMAIN WITHIN DIMENSIONS | MATERIAL NO.  |                            | SEE CHART               |  |                              |                        |
|   |  | THIS DRAWING CONTAINS INFORMATION THAT IS PROPRIETARY TO MOLEX INCORPORATED AND SHOULD NOT BE USED WITHOUT WRITTEN PERMISSION |                            |                         |  |                              |                        |