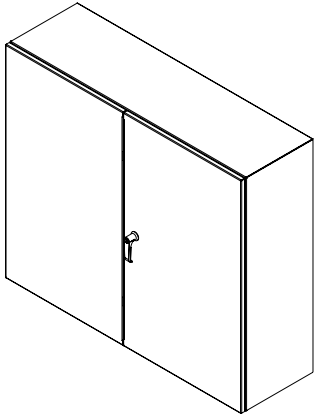
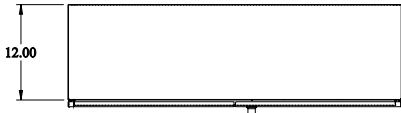
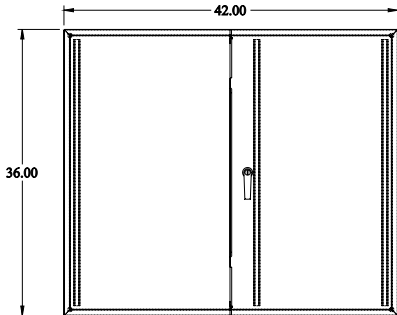
 **PART No. EN4TD364212GY**
for more information visit
www.hammg.com
Data subject to change without notice
Isometric drawing Not to Scale



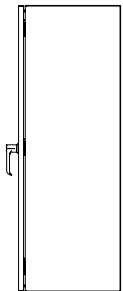
ISOMETRIC VIEW



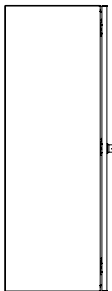
TOP VIEW



FRONT VIEW



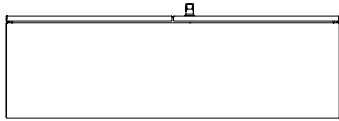
RIGHT SIDE VIEW



LEFT SIDE VIEW



BACK VIEW



BOTTOM VIEW