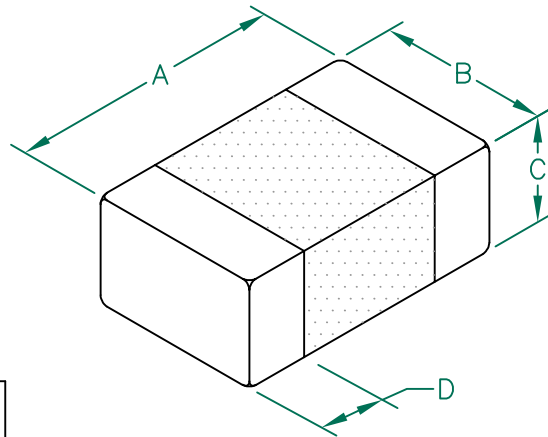


IC0805B101R-10

UNCONTROLLED DOCUMENT

PHYSICAL DIMENSIONS:

A	2.00 [.079]	+ 0.20[.008]
B	1.25 [.049]	+ 0.20[.008]
C	0.85 [.033]	+ 0.20[.008]
D	0.50 [.020]	+ 0.30[.012]



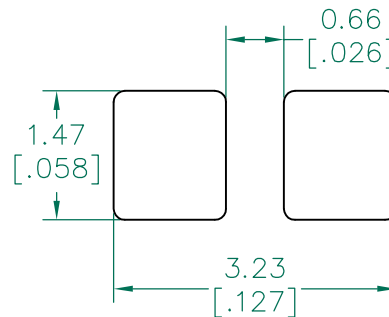
ELECTRICAL CHARACTERISTICS:

L (nH) ± 10%	110	Max
	100	Nom
	90	Min@ 250mA
Q (Min)	20	
Freq. (MHz)	25	
Self-Resonant Freq (MHz)	235	
DCR(Max) Ω	0.30	
I (Max)	250mA	
I (Operating)	250mA	

NOTES: UNLESS OTHERWISE SPECIFIED

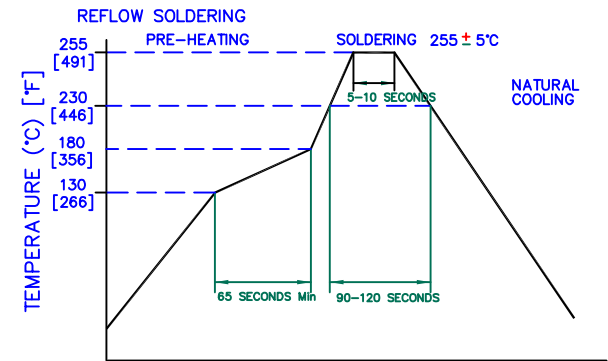
1. TAPED AND REELED per CURRENT EIA SPECS. 7" REELS 4000 PCS/REEL, EMBOSSED PLASTIC TAPE.
2. TERMINATION FINISH IS 100% MATTE Sn OVER Ni.
3. COMPONENTS SHOULD BE ADEQUATELY PREHEATED BEFORE SOLDERING.
4. I (MAX.) IS BASED ON THE MAXIMUM SUSTAINED CURRENT APPLIED WHILE MAINTAINING A MAXIMUM TEMPERATURE RISE OF 40°C OVER AMBIENT.
5. I (OPERATING) IS BASED ON THE MAXIMUM SUSTAINED CURRENT APPLIED WHILE MAINTAINING A MINIMUM INDUCTANCE (L).
6. OPERATING TEMP. RANGE: -40°C~+125°C. (INCLUDING SELF-HEATING)

LAND PATTERNS FOR REFLOW SOLDERING



(For wave soldering, add 0.762[.030] to this dimension)

RECOMMENDED SOLDERING CONDITIONS



DIMENSIONS ARE IN mm [INCHES].				This print is the property of Laird Tech. and is loaned in confidence subject to return upon request and with the understanding that no copies shall be made without the written consent of Laird Tech. All rights to design or invention are reserved.			
D	ADD OPERATING TEMPERATURE UPDATE LAIRD LOGO AND REFLOW CURVE	08/05/13	QU				
C	UPDATE COMPANY LOGO	06/23/08	JRK				
B	REM K0 FROM P/N CHG C & D DIM UPDATE NOTES, REV LAND PATTERN DIMS, ADD OPERATING TEMP TO ELECTRICAL	01/17/07	JRK				
A	ORIGINAL DRAFT	05/11/04	JRK				
REV	DESCRIPTION	DATE	INT				
PROJECT/PART NUMBER: IC0805B101R-10				REV: D	PART TYPE: CO-FIRE	DRAWN BY: JRK	
DATE: 05/11/04				SCALE: NTS	SHEET: 2 of 2		
CAD # IC0805B101R-10-D				TOOL # -			