

Low-profile 7.5mm height contributes to flexibility in set design



Detector

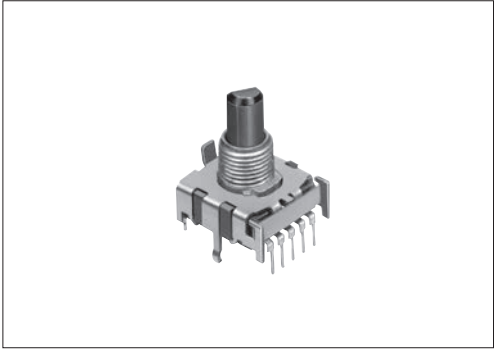
Slide

Push

Rotary

Power

Dual-In-Line Package Type



Typical Specifications

Items		Specifications
Rating (max.)/(min.) (Resistive load)		0.3A 16V DC / 50μA 3V DC
Contact resistance (Initial / After operating life)		50mΩ max. / 150mΩ max.
Rotational torque		30±15mN·m
Operating life	Without load	10,000 cycles
	With load	10,000 cycles (0.3A 16V DC)

Product Line

Poles	Positions	Changeover angle	Changeover timing	Actuator configuration	Actuator length (mm)	Minimum order unit (pcs.)		Product No.
						Japan	Export	
1	3	30±3°	Non shorting	Flat	L=15	165	330	SRBV131803
					L=20			SRBV131502
	4				L=15			SRBV141404
					L=20			SRBV141201
	5				L=15			SRBV151102
					L=20			SRBV150901
	6				L=15			SRBV160803
	7							SRBV170701
	8				L=20			SRBV170501
					L=15			SRBV181004

Packing Specifications

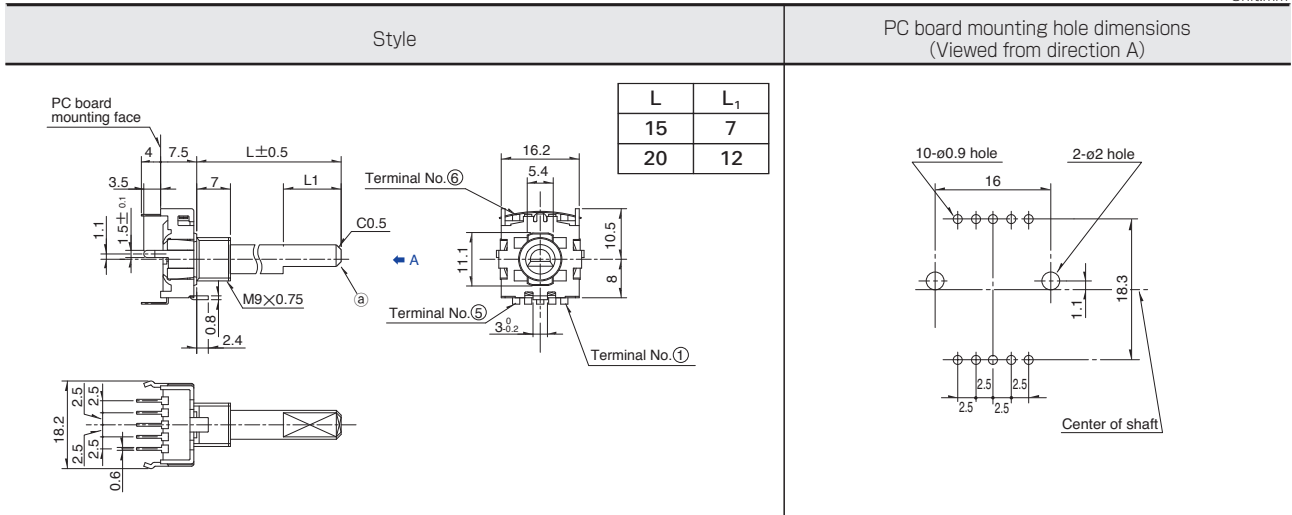
Tray

Number of packages (pcs.)		Export package measurements (mm)
1 case /Japan	1 case /export packing	
165	330	400×270×185

Refer to P.149 for shaft configurations.
Refer to P.156 for soldering conditions.

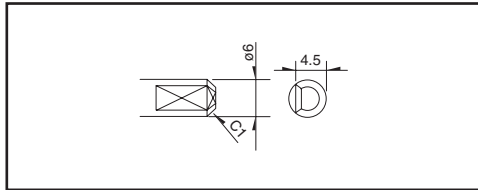
■ Dimensions

Unit:mm

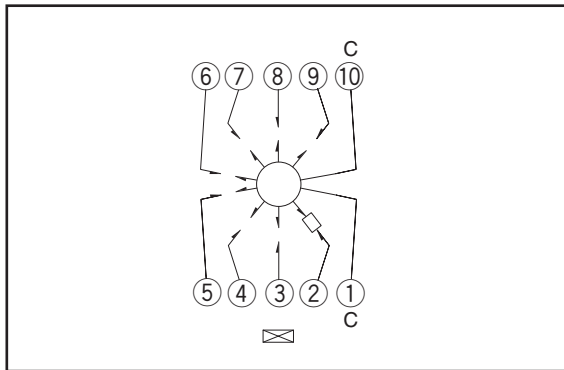


■ Operation Part Details ①

Unit:mm



■ Standard Circuit Diagram (Viewed from Direction A)

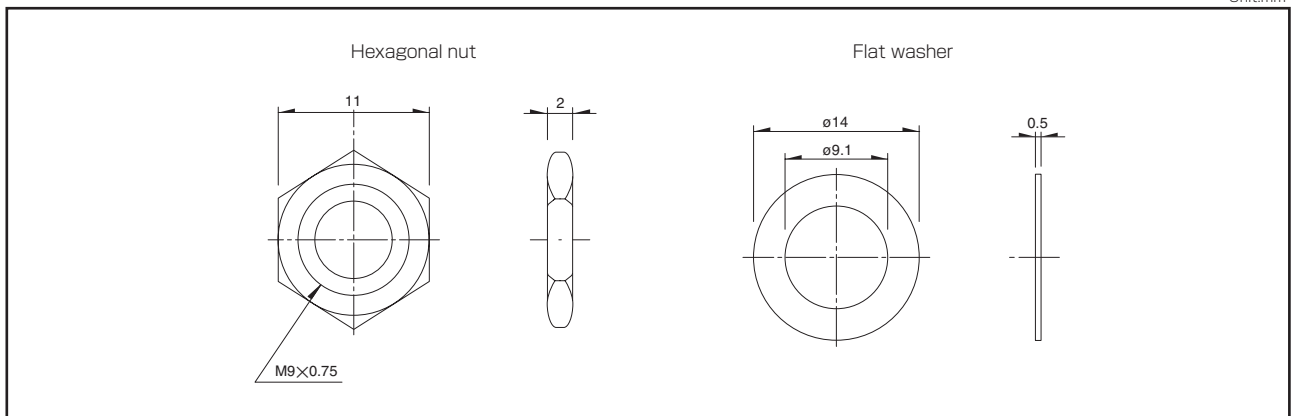


■ Dummy Terminals

3-position	⑤ ⑥ ⑦ ⑧ ⑨
4-position	⑥ ⑦ ⑧ ⑨
5-position	⑦ ⑧ ⑨
6-position	⑧ ⑨
7-position	⑨
8-position	—



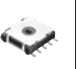










■ Attached Parts

Unit:mm



Rotary Switches

List of Varieties

Series	SRBD	SRBQ		SRBM		SRBV	SRRM	SRRN																																									
		Insertion	Reflow type	Rotary	Pulse																																												
Photo																																																	
Angle of throw	36°	40±3°		30±3°	18±3°	30±3°																																											
Number of poles	1		1, 2		1	1, 2, 3, 4		2, 3, 4																																									
Rotational torque	13±5mN·m	6±3mN·m 13±5mN·m		40±20mN·m 15±7mN·m		30±15mN·m	80±30mN·m (Shorting) 70±30mN·m (Non shorting)																																										
Dimensions (mm)	W	10		10		16.2	—																																										
	D	11.4		12.5		18.5	—																																										
	H	12.4		11		7.5	—																																										
Operating temperature range	-25°C to +85°C	-10°C to +60°C		-30°C to +85°C		-10°C to +85°C	-10°C to +60°C																																										
Automotive use	—	—		●		—	—																																										
Life cycle																																																	
Rating (max.)/(min.) (Resistive load)	1mA 5V DC 50µA 3V DC	0.1A 16V DC 50µA 3V DC				0.3A 16V DC 50µA 3V DC		0.25A 30V DC 50µA 3V DC	0.15A 12V DC 50µA 3V DC																																								
Durability	Operating life without load	10,000 cycles 250mΩ max.		10,000 cycles 100mΩ max.		30,000 cycles 100mΩ max.	10,000 cycles 100mΩ max.																																										
	Operating life with load Load: as rating	10,000 cycles 250mΩ max.		10,000 cycles 100mΩ max.		10,000 cycles 150mΩ max.		10,000 cycles 60mΩ max.	10,000 cycles 100mΩ max.																																								
Electrical performance	Initial contact resistance	200mΩ max.		50mΩ max.				20mΩ max.	50mΩ max.																																								
	Insulation resistance	100MΩ min. 100V DC						100MΩ min. 500V DC																																									
	Voltage proof	100V AC for 1minute						500V AC for 1minute																																									
Mechanical performance	Terminal strength	3N for 1minute		5N for 1minute				10N for 1minute	5N for 1minute																																								
	Actuator strength	Operating direction	—		0.5N·m	—		0.6N·m	1N·m																																								
		Pulling direction	50N		20N		100N																																										
	Wobble of actuator	Load at the tip of shaft SRRM, SRBM, SRRN: 5N, SRBQ, SRBV: 1N The below table shows for SRRM, SRBM, SRRN																																															
<table border="1"> <thead> <tr> <th>Measuring position from mounting surface</th> <th>Shaft wobble (max. value)</th> <th>Applicable mounting dimension</th> </tr> </thead> <tbody> <tr> <td>10</td> <td>0.17</td> <td>15</td> </tr> <tr> <td>15</td> <td>0.25</td> <td>20</td> </tr> <tr> <td>20</td> <td>0.35</td> <td>25</td> </tr> <tr> <td>25</td> <td>0.42</td> <td>30</td> </tr> <tr> <td>30</td> <td>0.5</td> <td>above 35</td> </tr> </tbody> </table>			Measuring position from mounting surface	Shaft wobble (max. value)	Applicable mounting dimension	10	0.17	15	15	0.25	20	20	0.35	25	25	0.42	30	30	0.5	above 35	<table border="1"> <thead> <tr> <th>Distance from mounting surface to the tip of shaft</th> <th>Shaft wobble (max. value)</th> </tr> </thead> <tbody> <tr> <td>below 5</td> <td>0.5</td> </tr> <tr> <td>above 5 and below 10</td> <td>0.9</td> </tr> <tr> <td>above 10 and below 15</td> <td>1.2</td> </tr> </tbody> </table>			Distance from mounting surface to the tip of shaft	Shaft wobble (max. value)	below 5	0.5	above 5 and below 10	0.9	above 10 and below 15	1.2	<table border="1"> <thead> <tr> <th>Measuring position from mounting surface</th> <th>Shaft wobble (max. value)</th> <th>Applicable mounting dimension</th> </tr> </thead> <tbody> <tr> <td>10</td> <td>0.2</td> <td>15</td> </tr> <tr> <td>15</td> <td>0.3</td> <td>20</td> </tr> <tr> <td>20</td> <td>0.4</td> <td>25</td> </tr> </tbody> </table>			Measuring position from mounting surface	Shaft wobble (max. value)	Applicable mounting dimension	10	0.2	15	15	0.3	20	20	0.4	25	Unit:mm		
Measuring position from mounting surface	Shaft wobble (max. value)	Applicable mounting dimension																																															
10	0.17	15																																															
15	0.25	20																																															
20	0.35	25																																															
25	0.42	30																																															
30	0.5	above 35																																															
Distance from mounting surface to the tip of shaft	Shaft wobble (max. value)																																																
below 5	0.5																																																
above 5 and below 10	0.9																																																
above 10 and below 15	1.2																																																
Measuring position from mounting surface	Shaft wobble (max. value)	Applicable mounting dimension																																															
10	0.2	15																																															
15	0.3	20																																															
20	0.4	25																																															
Environmental performance	Cold	-40°C 500h		-20°C 96h		-40°C 96h		-20°C 96h																																									
	Dry heat	85°C 500h		85°C 96h																																													
	Damp heat	60°C, 90 to 95%RH 500h		40°C, 90 to 95%RH 96h																																													
Page	141		143		145		148		150	153																																							

Rotary Switches Soldering Conditions	156
Rotary Switches Cautions	157

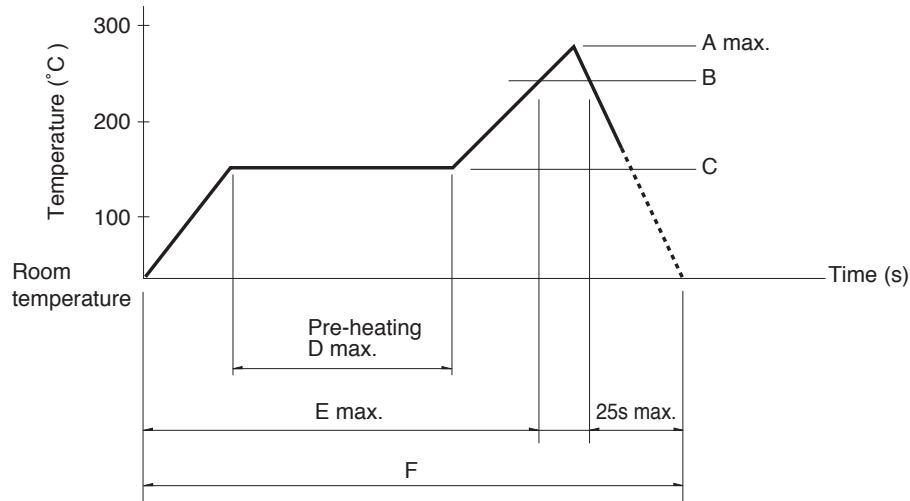
Note

● Indicates applicability to all products in the series.

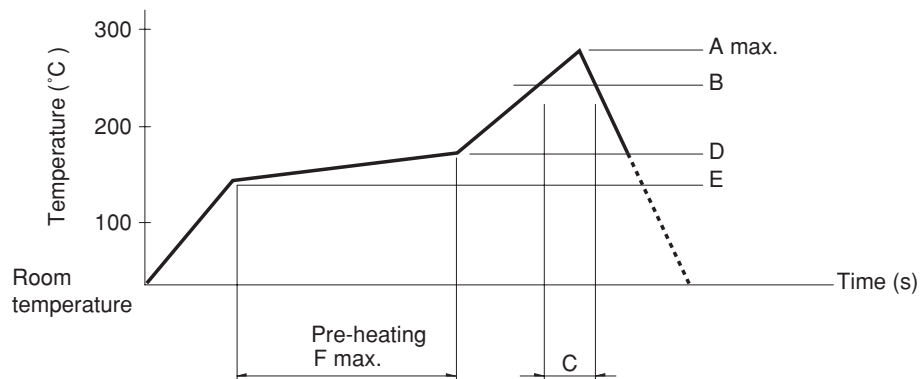
Rotary Switches Soldering Conditions

Example of Reflow Soldering Condition

1. Heating method: Double heating method with infrared heater.
2. Temperature measurement: Thermocouple $\phi 0.1$ to 0.2 CA (K) or CC (T) at soldering portion (copper foil surface). A heat resisting tape should be used for fixed measurement.
3. Temperature profile



Series (Reflow type)	A (°C) 3s max.	B (°C)	C (°C)	D (s)	E (s)	F (s)
SRBQ	250	200	150±5	80 to 100	—	—



Series (Reflow type)	A (°C) 3s max.	B (°C)	C (s)	D (°C)	E (°C)	F (s)
SRBD	260	230	40	180	150	120

- Notes**
1. The condition mentioned above is the temperature on the mounting surface of a PC board. There are cases where the PC board's temperature greatly differs from that of the switch, depending on the PC board's material, size, thickness, etc. The above-stated conditions shall also apply to switch surface temperatures.
 2. Soldering conditions differ depending on reflow soldering machines. Prior verification of soldering condition is highly recommended.

Reference for Hand Soldering

Series	Soldering temperature	Soldering time
SRBQ, SRBM, SRBV, SRRM, SRRN	350±10°C	3+1/0s
SRBQ (Reflow type)	350±5°C	3s max.

Reference for Dip Soldering

(For PC board terminal types)

Series	Items		Dip soldering	
	Preheating temperature	Preheating time	Soldering temperature	Duration of immersion
SRBM	100°C max.	60s max.	260±5°C	5s max.
SRBV, SRRM, SRRN	—	—	260±5°C	10±1s
SRBQ	—	—	260±5°C	5±1s