

High Frequency Ceramic Solutions

1.4GHz High Rejection Band Pass Filter. Recommended Application: D-Band MoCA

P/N 1400BP41A0550

Detail Specification: 2/25/2014

Page 1 of 3

General Specifications

Part Number	1400BP41A0550	Solder Paste	SAC 305 type is recommended.
Frequency (MHz)	1125 ~ 1675	Power Capacity	1W max.(CW)
Impedance (Ohm)	75	Storage Temperature Range*	+5 ~ +35°C, Humidity: 45~75%RH
Insertion Loss (dB)	1.8 max. @ 25°C 2.0 max. @ -40~85°C		
Return Loss	9.0 dB min.		
Attenuation (min.)	30 min. @ 5 ~ 864MHz		
Attenuation (min.)	34 min. @ 865 ~ 1002MHz		
Attenuation (min.)	32 min. @ 2300 ~ 3000MHz		
Reel Quantity	2,000		
Operating Temperature	-40 to +85°C		



18 months max in vacuum sealed bag, after bag opened, 1 week cumulative, Please keep unused parts in vacuum sealed bags at all times. For more info go to www.johansontechnology.com/silverleads.

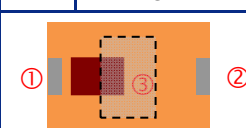
P/N Suffix	Packing Style	Bulk	Suffix = S	eg. 1400BP41A0550S
		T & R	Suffix = E	eg. 1400BP41A0550E
	Evaluation Board	1400BP41A0550-EB1SMA (2 Female SMA connectors 75Ω)		

Mechanical Specifications

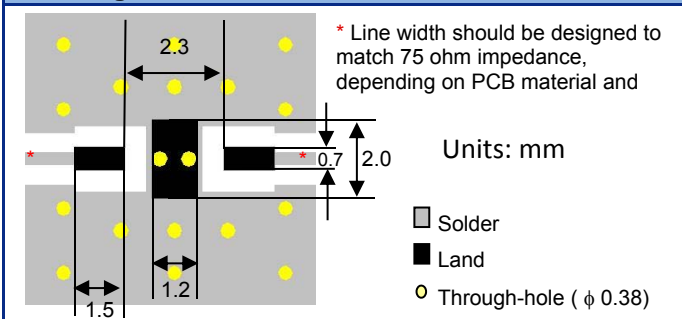
	In	mm	Top View		Side View	Bottom View	
L	0.126 ± 0.008	3.20 ± 0.20	W	c	b	a	d
W	0.098 ± 0.008	2.50 ± 0.20					
T	0.079 max.	2.0 max	L		T	L	
a	0.047 ± 0.006	1.20 ± 0.15	L		T	L	
b	0.024 ± 0.008	0.60 ± 0.20	L		T	L	
c	0.012 ± 0.006	0.30 ± 0.15	L		T	L	
d	0.008 ± 0.006	0.20 ± 0.15	L		T	L	

Terminal Configuration

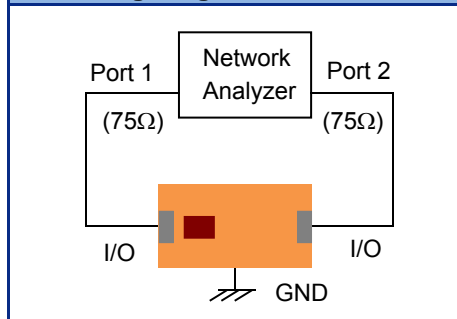
No.	Function
1	IN/OUT
2	IN/OUT
3	GND



Mounting Considerations



Measuring Diagram



Want the layout file of the above? Send us a message at: www.johansontechnology.com/component/techquestion

Johanson Technology, Inc. reserves the right to make design changes without notice.

All sales are subject to Johanson Technology, Inc. terms and conditions.



www.johansontechnology.com

4001 Calle Tecate • Camarillo, CA 93012 • TEL 805.389.1166 FAX 805.389.1821

Ver. 2.0

2014 Johanson Technology, Inc. All Rights Reserved

High Frequency Ceramic Solutions

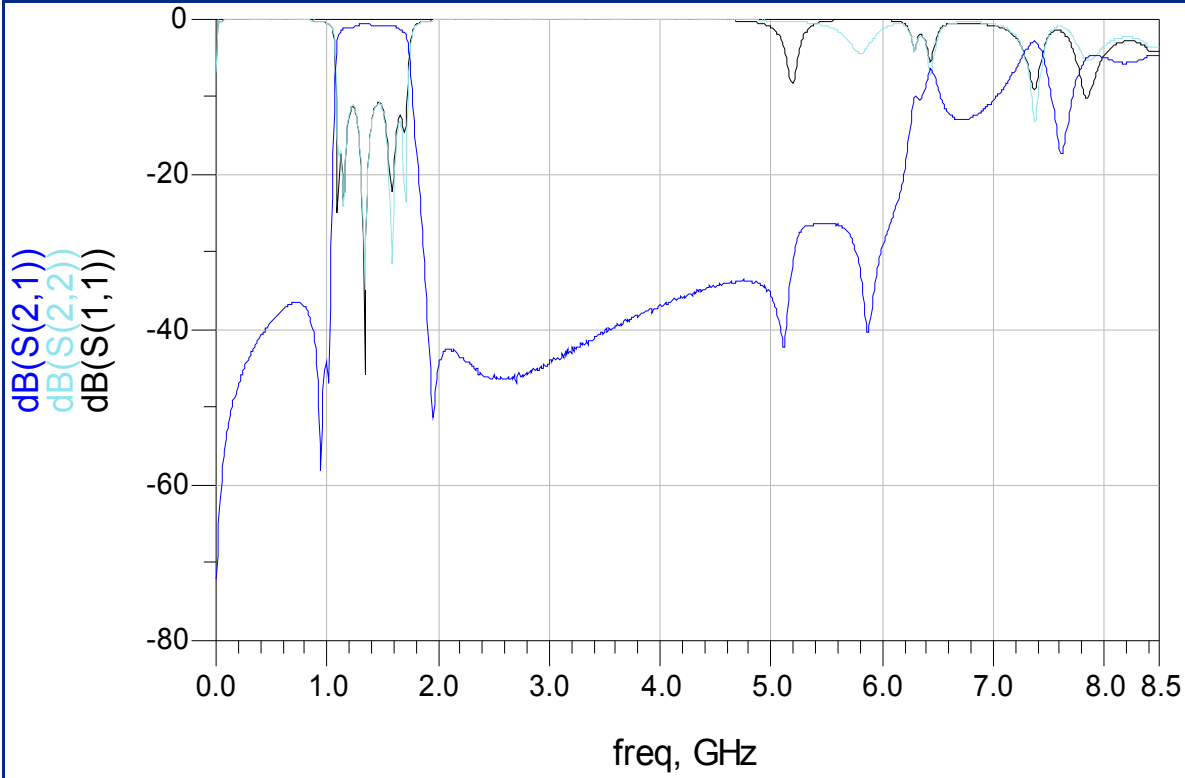
1.4GHz High Rejection Band Pass Filter. Recommended Application: D-Band MoCA

P/N 1400BP41A0550

Detail Specification: 2/25/2014

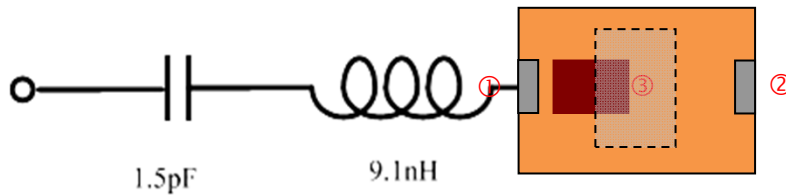
Page 2 of 3

Electrical Characteristics (T=25°C)



Application note for MoCA D-Band

Matching might be needed for MoCA D-Band, see diagram below using a wire-wound inductor and HighQ capacitor



Johanson Technology, Inc. reserves the right to make design changes without notice.

All sales are subject to Johanson Technology, Inc. terms and conditions.

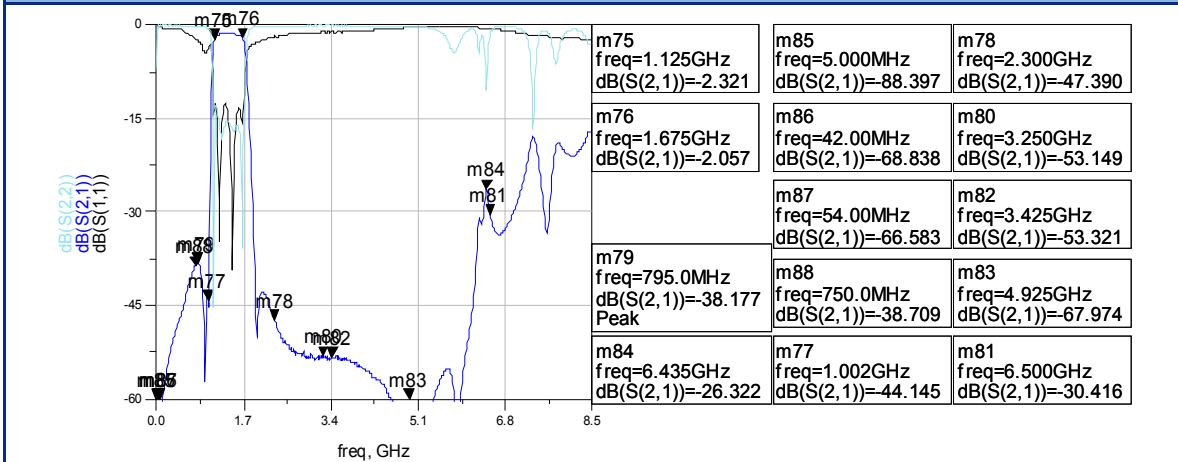
High Frequency Ceramic Solutions

P/N 1400BP41A0550

Detail Specification: 2/25/2014

Page 2 of 3

Electrical Characteristics (T=25°C) with L/C Series network on Page 2



Packaging information

www.johansontechnology.com/ipcpackaging.html

Soldering Information

www.johansontechnology.com/ipcsoldering-profile

RoHS Compliance

www.johansontechnology.com/technical-notes/rohs-compliance.html

MSL Info

www.johansontechnology.com/technical-notes/msl-rating.html

To Download Measured S-parameters for Evaluation and Simulation:

www.johansontechnology.com/bpf

For layout review contact our Applications Team at:

www.johansontechnology.com/component/techquestion?Itemid=407

Johanson Technology, Inc. reserves the right to make design changes without notice.
All sales are subject to Johanson Technology, Inc. terms and conditions.



www.johansontechnology.com

4001 Calle Tecate • Camarillo, CA 93012 • TEL 805.389.1166 FAX 805.389.1821

Ver. 2.0

2014 Johanson Technology, Inc. All Rights Reserved