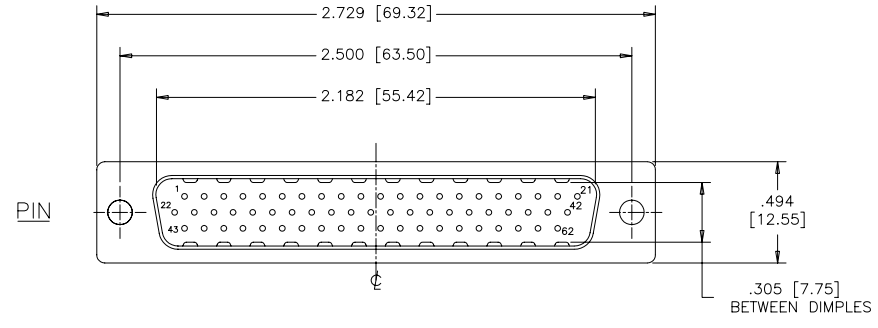


REVISIONS			
REV	ECN, ERN NO.	DATE	APPRD.
A	PRODUCT DRAWING (EAR 12956)	OCT03/06	K.L.



**ORDERING CODE:**

**PART NUMBER:** 1 7 E H D - 0 6 2 P A M - 1 0 0

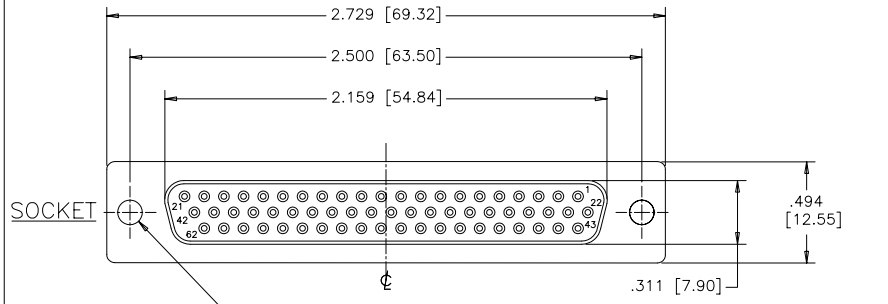
**SERIES**

**NUMBER OF CONTACTS**  
062

**STYLE**  
P=PIN  
S=SOCKET

**TERMINATION-MOUNTING OPTIONS**  
 000= SOLDER CUP, .120 [3.05] DIA. THROUGH HOLE  
 100= SOLDER CUP, #4-40 UNC THREADED HOLES  
 200= SOLDER CUP, #4-40 UNC HEX JACK SOCKETS INSTALLED

**CONTACT PLATING OPTIONS FOR ENGAGEMENT AREA**  
 AA= 3μ" [0.08 MICRONS] GOLD FLASH  
 CH= 15μ" [0.38 MICRONS] GOLD  
 AM= 30μ" [0.76 MICRONS] GOLD



**SPECIFICATIONS:**

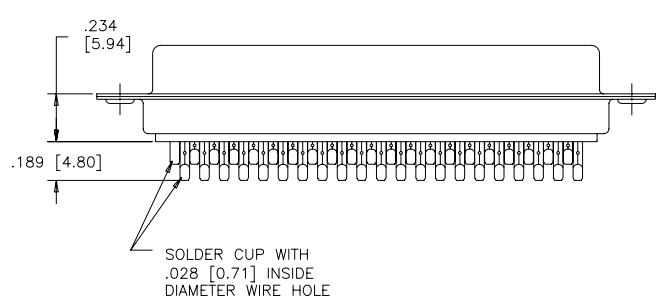
**MATERIALS:** ALL MATERIALS ARE RoHS COMPLIANT

**SHELL:** STEEL, TIN PLATED

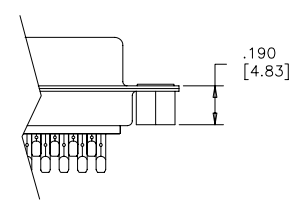
**INSERTS:** HIGH TEMPERATURE RESISTANT NYLON, GLASS REINFORCED, UL FLAMMABILITY RATING 94V-0, COLOUR: BLACK

**CONTACTS:** COPPER ALLOY, GOLD PLATING (SEE ORDERING CODE) OVER 50u" [1.27 MICRONS] NICKEL ON ENGAGEMENT AREA WITH 100u" [2.54 MICRONS] MIN. MATTE TIN ON CONTACT TERMINALS.

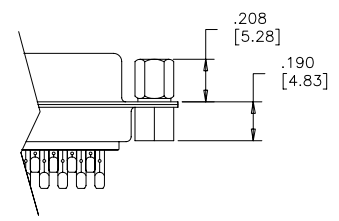
TERMINATION-MTG OPTION 000  
SOLDER CUP,  
.120 [3.05] DIA.  
THROUGH HOLE (2 PLACES)



SOLDER CUP WITH  
.028 [0.71] INSIDE  
DIAMETER WIRE HOLE



TERMINATION-MTG OPTION 100  
SOLDER CUP, #4-40 UNC  
THREADED THROUGH HOLES



TERMINATION-MTG OPTION 200  
SOLDER CUP, #4-40 UNC HEX  
JACK SOCKETS INSTALLED

**ELECTRICAL DATA:**

**CURRENT RATING:** 3 AMP

**CONTACT RESISTANCE:** 15 MILLIOHMS MAX.

**INSULATION RESISTANCE:** 3000 MEGOHMS MIN.

**DIELECTRIC WITHSTANDING VOLTAGE:** 1000 VAC rms

**OPERATING TEMPERATURE:** -55°C TO +105°C

DRAWN	J.LEE	DATE	OCT03/06
DESIGNED			
CHECKED	K.LAMBIE	OCT03/06	
I. E. APPRD.			
Q. A. APPRD.			
DWG. APPRD.			
ENG. REL. NO.			
REF.	EAR 12956		
DIMENSIONS ARE IN	CODE ID. NO.		
INCHES	03554		

**Amphenol Canada Corp.**

**TITLE** 17EHD SERIES HIGH DENSITY D-SUB CONNECTOR, 62 SIZE, SOLDER CUP, PLATING & MOUNTING OPTIONS, RoHS COMPLIANT

DWG	DRAWING NO.	REV.
C	P-17EHD-062XXX-X00	A
DIMENSIONS ARE IN	SCALE	WT.
INCHES	2/1	-----
CODE ID. NO.	SURF.	SHEET
03554	-----	1 OF 1

THIS DOCUMENT CONTAINS PROPRIETARY INFORMATION AND SUCH INFORMATION MAY NOT BE DISCLOSED TO OTHERS FOR ANY PURPOSE OR USED FOR MANUFACTURING PURPOSES WITHOUT WRITTEN PERMISSION FROM AMPHENOL CANADA CORP.