

Multilayer Low Pass Filters

For GSM/DCS/PCS Tx & Rx

DEA Series

Type: **DEA161990LT-1180A1 (1.6×0.8×0.8mm)**

Issue date: November 2010

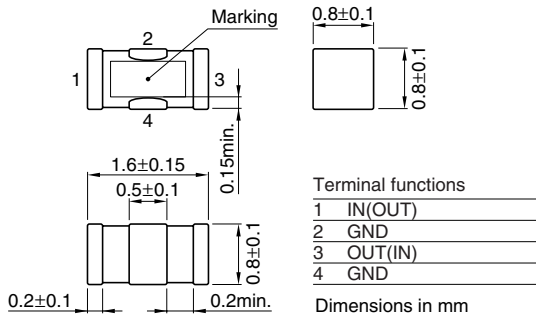
- All specifications are subject to change without notice.
 - Conformity to RoHS Directive: This means that, in conformity with EU Directive 2002/95/EC, lead, cadmium, mercury, hexavalent chromium, and specific bromine-based flame retardants, PBB and PBDE, have not been used, except for exempted applications.
-

Multilayer Chip Low Pass Filters For GSM, DCS, PCS/Tx & Rx

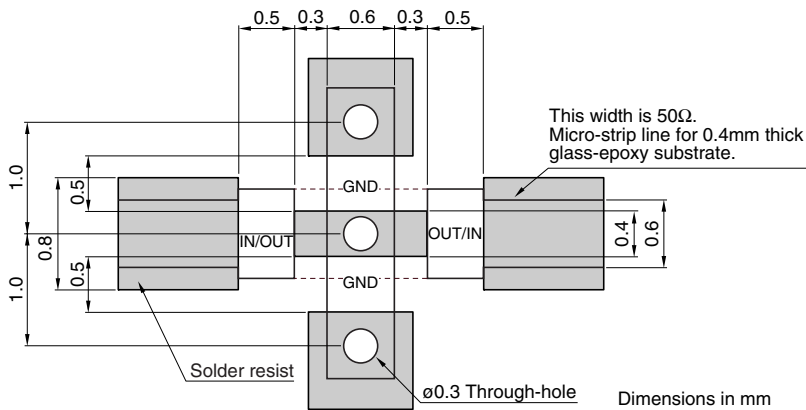
Conformity to RoHS Directive

DEA Series DEA161990LT-1180A1

SHAPES AND DIMENSIONS



RECOMMENDED PC BOARD PATTERNS



ELECTRICAL CHARACTERISTICS

Item			Minimum value	Typical value	Maximum value
Insertion loss	[880 to 915MHz]	(dB)	—	0.25	0.60
	[925 to 960MHz]	(dB)	—	0.25	0.60
	[1710 to 1785MHz]	(dB)	—	0.30	0.60
	[1850 to 1910MHz]	(dB)	—	0.30	0.60
	[1930 to 1990MHz]	(dB)	—	0.35	0.60
Attenuation	[3700 to 3980MHz]	(dB)	30	42	—
	[5550 to 5970MHz]	(dB)	25	40	—
Temperature range	Operating	(°C)	-40	—	+85
	Storage	(°C)	-40	—	+85

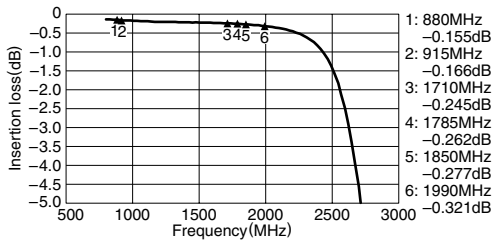
• Ta: +25±5°C

• Conformity to RoHS Directive: This means that, in conformity with EU Directive 2002/95/EC, lead, cadmium, mercury, hexavalent chromium, and specific bromine-based flame retardants, PBB and PBDE, have not been used, except for exempted applications.

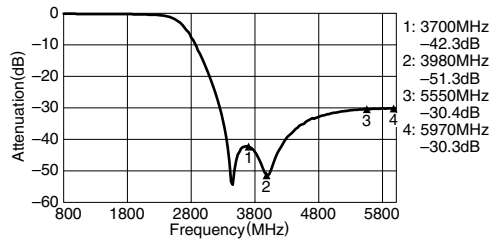
• All specifications are subject to change without notice.

FREQUENCY CHARACTERISTICS

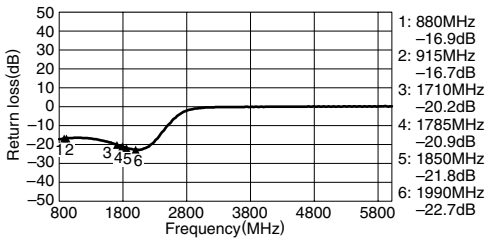
INSERTION LOSS



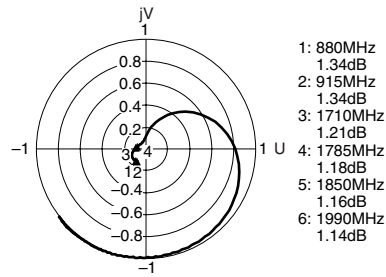
ATTENUATION



RETURN LOSS



VSWR



• All specifications are subject to change without notice.