

All dimensions are in mm; tolerances according to ISO 2768 m-H

Documents

Connector data sheet
 Assembly drawing

M4S101-16C003A5-Y
 C003-17-XXX-Y_LV

Cable

FLRY 2,5-B
 FLRY 0,35-B

2x2,5mm²
 4x0,35mm²

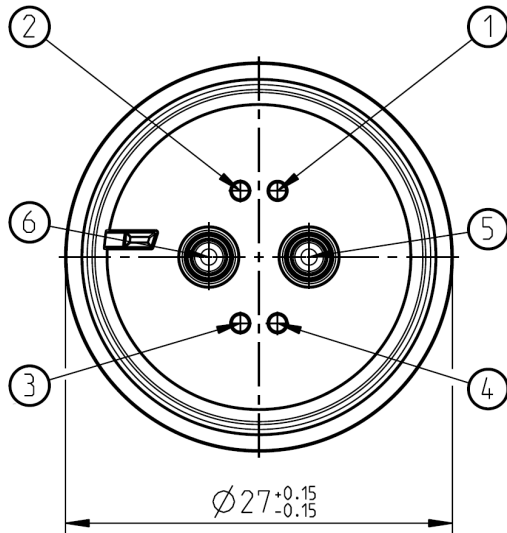
Packing

Standard

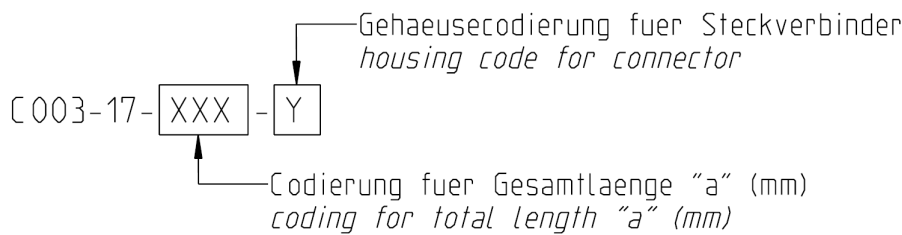
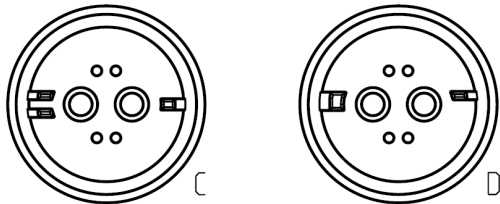
x pcs / cardboard – depends on cable length

Preliminary

Pinning



Coding



Preliminary

While the information has been carefully compiled to the best of our knowledge, nothing is intended as representation or warranty on our part and no statement herein shall be construed as recommendation to infringe existing patents. In the effort to improve our products, we reserve the right to make changes judged to be necessary.

Draft	Date	Approved	Date	Rev.	Engineering change number	Name	Date
S. Schöndorfer	25.04.16	S. Schöndorfer	02.05.16	100	16-0688	B. Döring	02.05.16

Rosenberger Hochfrequenztechnik GmbH & Co. KG P.O.Box 1260 D-84526 Tittmoning Germany www.rosenberger.de				Tel. : +49 8684 18-0 Email : info@rosenberger.de			Page 2 / 2
--	--	--	--	--	--	--	---------------