

38

3800

Multimodul™ connectors, pitch 2.5 mm



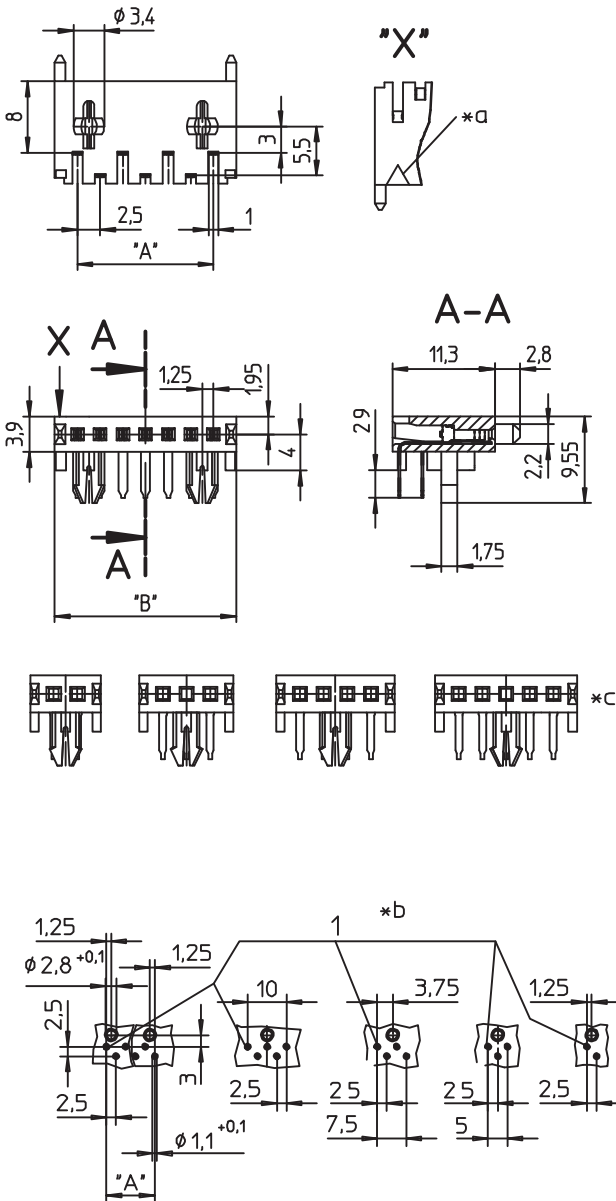
Multimodul™ socket board, angular, with retaining hooks

---

State: Phasing out

---

38 3800



- \*a marking contact 1
- \*b printed circuit board layout, solder side view
- \*c 2 to 5 poles with only one retaining hook

#### Environmental conditions

Temperature range -40 °C/+120 °C

#### Materials

Insulating body PA GF, V-0 according to UL94<sup>1</sup>  
Contact spring CuSn, tin-plated

<sup>1</sup> component glow wire resistant (GWT 750 °C), testing acc. to IEC 60695-2-11, assessment acc. to IEC 60335-1 (flame < 2 s)

#### Mechanical data

Insertion force/contact ≤ 4,0 N  
Withdrawal force/contact ≥ 0,5 N  
Further data proposed keyings on request

#### Electrical data (at T<sub>amb</sub> 20 °C)

Rated current 3 A (T<sub>v</sub> 25 °C)  
Rated voltage 250 V AC  
Material group IIIa (CTI ≥ 250)  
Creepage distance ≥ 3,0 mm  
Clearance ≥ 3,0 mm  
Insulation resistance > 1 GΩ

#### Associated products

Counterparts  
☞ 3851

Designation	Pole Number	PU (Pieces)	MDQ (Pieces)	Dimensions	
				A (mm)	B (mm)
3800 02	2	1800	5400	2.5	7.5
3800 03	3	1360	5440	5.0	10.0
3800 04	4	1000	5000	7.5	12.5
3800 05	5	800	5600	10.0	15.0
3800 06	6	600	5400	12.5	17.5
3800 07	7	600	5400	15.0	20.0
3800 08	8	600	5400	17.5	22.5
3800 09	9	400	5200	20.0	25.0
3800 10	10	400	5200	22.5	27.5
3800 11	11	400	5200	25.0	30.0
3800 12	12	400	5200	27.5	32.5
3800 13	13	360	5400	30.0	35.0
3800 14	14	320	5120	32.5	37.5
3800 15	15	320	5120	35.0	40.0
3800 16	16	320	5120	37.5	42.5
3800 17	17	280	5320	40.0	45.0
3800 18	18	280	5320	42.5	47.5
3800 19	19	240	5760	45.0	50.0
3800 20	20	240	5760	47.5	52.5

Designation to be completed by further details (e.g. for keying, color or material options).

**Packaging:**

in bulk, in a cardboard box