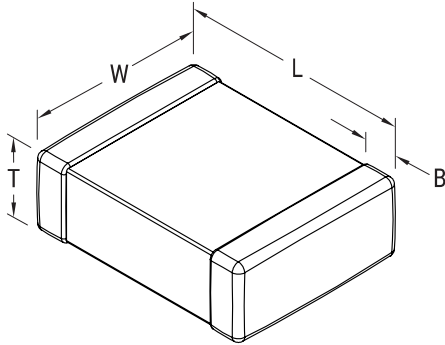


ESD SMD Auto COG, Ceramic, Electro Static Discharge, 1000 pF, 10%, 250 V, COG, SMD, MLCC, Temperature Stable, Electro Static Discharge, Automotive Grade, 1206



Dimensions	
L	3.2mm +/-0.2mm
W	1.6mm +/-0.2mm
T	0.78mm +/-0.10mm
B	0.5mm +/-0.25mm

Packaging Specifications	
Packaging:	T&R, 180mm, Plastic Tape
Packaging Quantity:	4000

General Information	
Supplier:	KEMET
Series:	ESD SMD Auto COG
Style:	SMD Chip
Description:	SMD, MLCC, Temperature Stable, Electro Static Discharge, Automotive Grade
Features:	Temperature Stable, Automotive Grade
RoHS:	Yes
Termination:	Tin
Marking:	No
Qualifications:	AEC-Q200
AEC-Q200:	Yes
Chip Size:	1206

Specifications	
Capacitance:	1000 pF
Capacitance Tolerance:	10%
Voltage DC:	250 VDC
ESD Level per AEC-Q200:	12,000 V ESD Level
Dielectric Withstanding Voltage:	625 V
Temperature Range:	-55/+125C
Temperature Coefficient:	COG
Dissipation Factor:	0.10% 1MHz 25C
Aging Rate:	0% Loss/Decade Hour
Insulation Resistance:	100 GOhms