

isc N-Channel MOSFET Transistor

IPW65R070C6

IIPW65R070C6

• FEATURES

- Static drain-source on-resistance:
 $R_{ds(on)} \leq 70m\Omega$
- Enhancement mode:
- 100% avalanche tested
- Minimum Lot-to-Lot variations for robust device performance and reliable operation

• DESCRIPTION

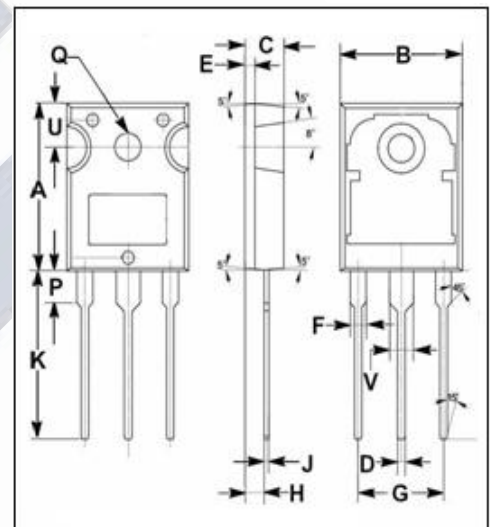
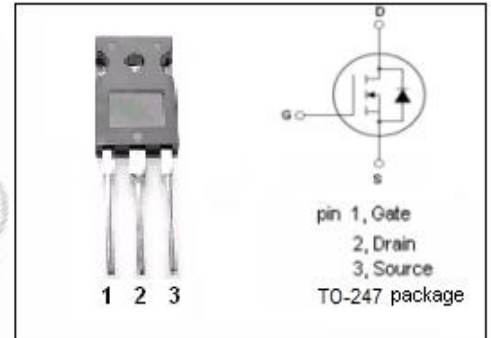
- Fast Switching

• ABSOLUTE MAXIMUM RATINGS(T_a=25°C)

| SYMBOL | PARAMETER | VALUE | UNIT |
|------------------|---|---------|------|
| V _{DSS} | Drain-Source Voltage | 650 | V |
| V _{GS} | Gate-Source Voltage | ±20 | V |
| I _D | Drain Current-Continuous | 53.5 | A |
| I _{DM} | Drain Current-Single Pulsed | 150 | A |
| P _D | Total Dissipation @T _c =25°C | 391 | W |
| T _j | Max. Operating Junction Temperature | 150 | °C |
| T _{stg} | Storage Temperature | -55~150 | °C |

• THERMAL CHARACTERISTICS

| SYMBOL | PARAMETER | MAX | UNIT |
|----------------------|---------------------------------------|------|------|
| R _{th(j-c)} | Channel-to-case thermal resistance | 0.32 | °C/W |
| R _{th(j-a)} | Channel-to-ambient thermal resistance | 62 | °C/W |



| DIM | mm | |
|-----|-------|-------|
| | MIN | MAX |
| A | 19.80 | 20.20 |
| B | 15.40 | 15.80 |
| C | 4.90 | 5.10 |
| D | 0.90 | 1.10 |
| E | 1.40 | 1.60 |
| F | 1.90 | 2.10 |
| G | 10.80 | 11.00 |
| H | 2.40 | 2.60 |
| J | 0.50 | 0.70 |
| K | 19.50 | 20.50 |
| P | 3.90 | 4.10 |
| Q | 3.30 | 3.50 |
| U | 5.20 | 5.40 |
| V | 2.90 | 3.10 |

isc N-Channel MOSFET Transistor
IPW65R070C6
IIPW65R070C6
ELECTRICAL CHARACTERISTICS

 T_c=25°C unless otherwise specified

| SYMBOL | PARAMETER | CONDITIONS | MIN | TYP | MAX | UNIT |
|---------------------|--------------------------------|---|-----|-----|-----|------|
| BV _{DSS} | Drain-Source Breakdown Voltage | V _{GS} =0V; I _D =1mA | 650 | | | V |
| V _{GS(th)} | Gate Threshold Voltage | V _{DS} =V _{GS} ; I _D =1.76mA | 2.5 | | 3.5 | V |
| R _{DS(on)} | Drain-Source On-Resistance | V _{GS} =10V; I _D =17.6A | | | 70 | mΩ |
| I _{GSS} | Gate-Source Leakage Current | V _{GS} = 20V; V _{DS} =0V | | | 0.1 | mA |
| I _{DSS} | Drain-Source Leakage Current | V _{DS} =650V; V _{GS} = 0V | | | 1 | μA |
| V _{SD} | Diode forward voltage | I _F =26.3A, V _{GS} = 0V | | | | V |