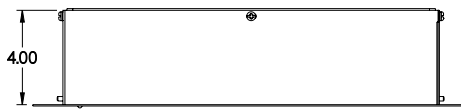
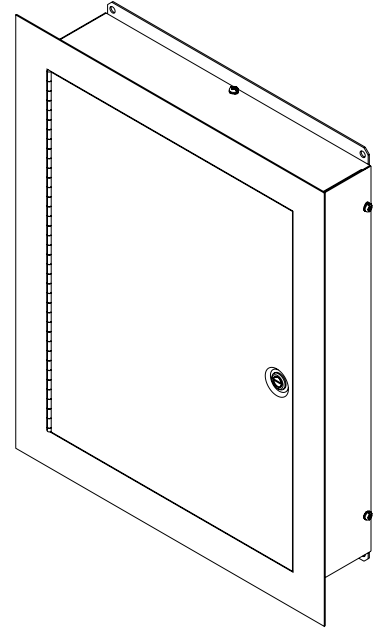


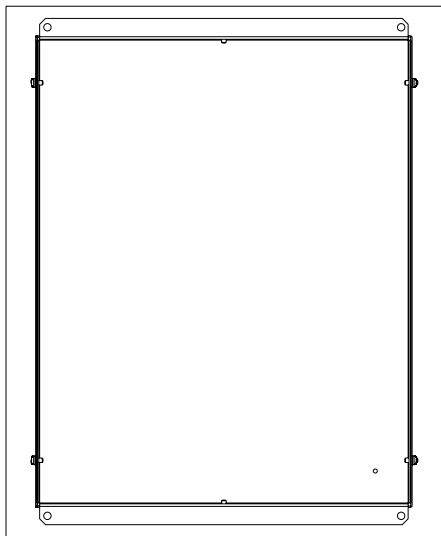
**PART No. N1WF20164**  
 for more information visit  
[www.hamfmg.com](http://www.hamfmg.com)  
 Data subject to change without notice  
 Isometric drawing Not to Scale



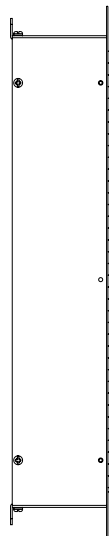
TOP VIEW



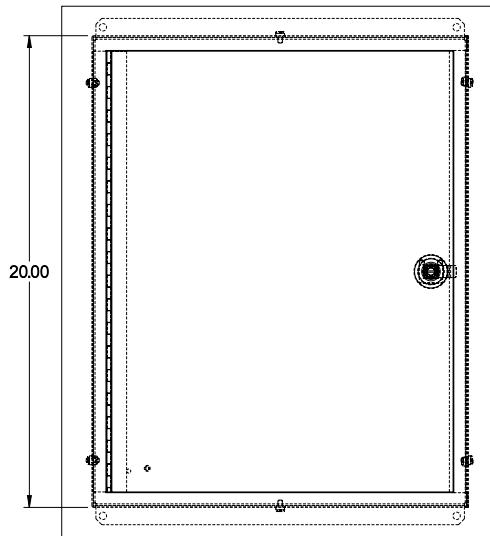
ISOMETRIC VIEW



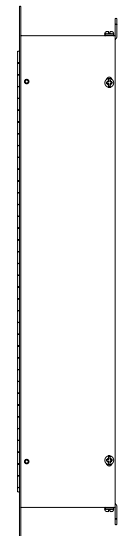
BACK VIEW



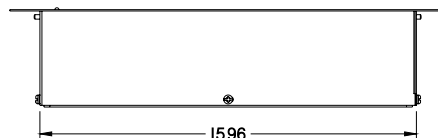
LEFT SIDE VIEW



FRONT VIEW



RIGHT SIDE VIEW



BOTTOM VIEW