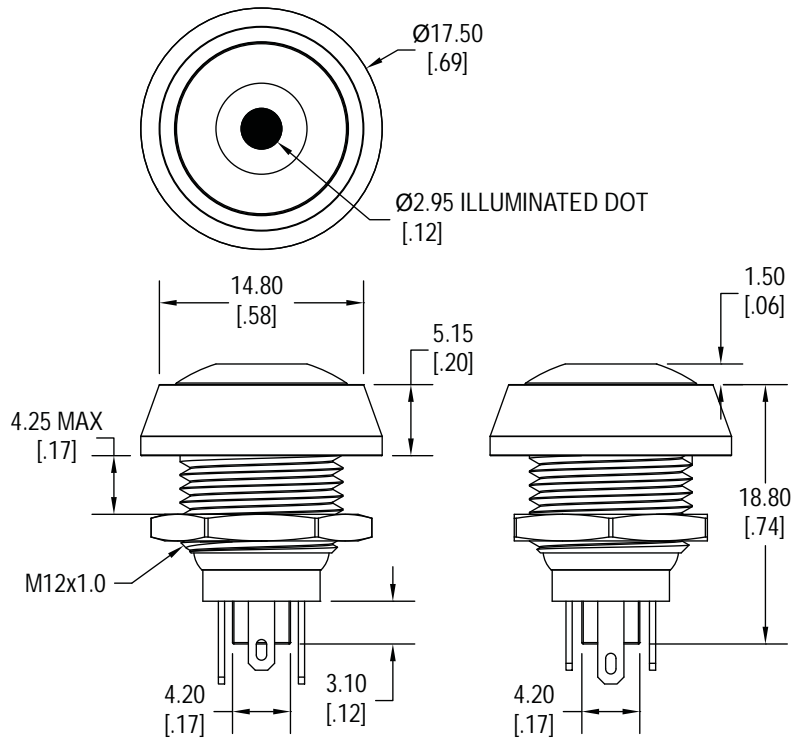
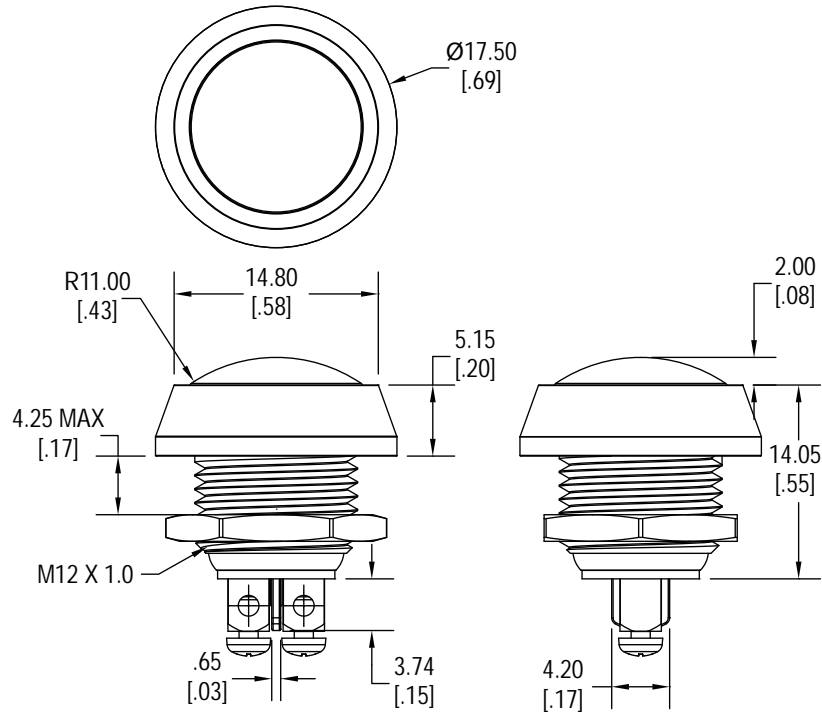
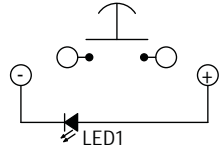
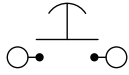




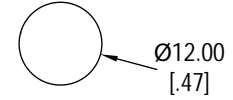
**Dimensions**



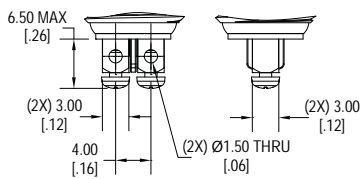
**Schematics**



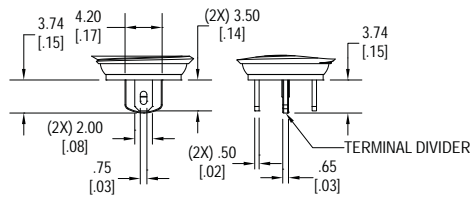
**Panel Cut-Out**



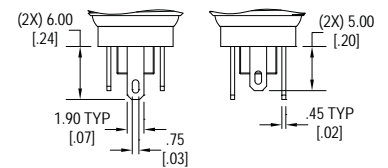
**Terminal Options**



**Z**



**B**



**B with LED**

**LED Characteristics**

LED Ratings		Color							Units
		R	Y	G	B	O	W		
Reverse Voltage	$V_R$	5	5	5	5	5	5	V	
Forward Current (avg)	$I_F$	25	25	30	30	25	30	mA	
Forward Current (peak)	$I_{FS}$	120	120	160	160	120	160	mA	
Reverse Current $V_R = 5V$	$I_R$	10	10	10	10	10	10	$\mu A$	
Power Dissipation	$P_T$	80	80	120	120	80	120	mW	
Operating & Storage Temperature	$T_A$	-40 ~ +85						C°	
Forward Voltage (typ) $I_F = 20mA$	$V_F$	2.1	2.1	3.3	3.3	2.0	3.0	V	
Forward Voltage (max) $I_F = 20mA$	$V_F$	2.4	2.5	3.6	3.6	2.3	3.6	V	
Wavelength at Peak Emmission $I_F = 20mA$	$\lambda_P$	635	592	516	463	606	n/a	nm	
Spectral Line Half-Width $I_F = 20mA$	$\Delta\lambda$	14	12	28	20	12	n/a	nm	
Luminous Intensity, $I_F = 20mA$	LI	120	120	170	100	120	700	mcd	
Viewing Angle	$\Theta$	145	145	145	145	145	145	deg	