



A New Direction in Mixed-Signal

# CLC2011, CLC4011

## Low Power, Low Cost, Rail-to-Rail I/O Amplifiers

### General Description

The CLC2011 (dual) and CLC4011 (quad) are ultra-low cost, low power, voltage feedback amplifiers. At 2.7V, the CLCx011 family uses only 136 $\mu$ A of supply current per amplifier and are designed to operate from a supply range of 2.5V to 5.5V ( $\pm 1.25$  to  $\pm 2.75$ ). The input voltage range exceeds the negative and positive rails.

The CLCx011 family of amplifiers offer high bipolar performance at a low CMOS prices. They offer superior dynamic performance with 4.9MHz small signal bandwidths and 5.3V/ $\mu$ s slew rates. The combination of low power, high bandwidth, and rail-to-rail performance make the CLCx011 amplifiers well suited for battery-powered communication/computing systems.

### FEATURES

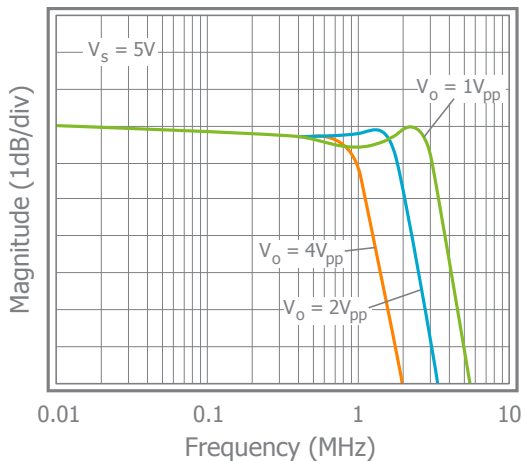
- 136 $\mu$ A supply current
- 4.9MHz bandwidth
- Output swings to within 20mV of either rail
- Input voltage range exceeds the rail by >250mV
- 5.3V/ $\mu$ s slew rate
- 21nV/ $\sqrt{\text{Hz}}$  input voltage noise
- $\pm 35$ mA linear output current
- Fully specified at 2.7V and 5V supplies

### APPLICATIONS

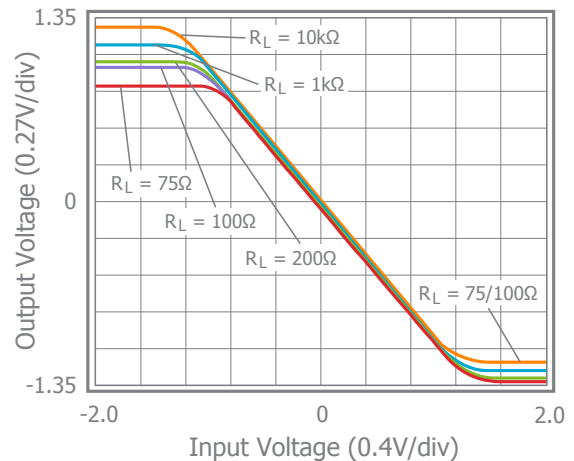
- Portable/battery-powered applications
- Mobile communications, cell phones, pagers
- ADC buffer
- Active filters
- Portable test instruments
- Notebooks and PDA's
- Signal conditioning
- Medical equipment
- Portable medical instrumentation

Ordering Information - [back page](#)

### Large Signal Frequency Response



### Output Swing vs. Load



### Absolute Maximum Ratings

Stresses beyond the limits listed below may cause permanent damage to the device. Exposure to any Absolute Maximum Rating condition for extended periods may affect device reliability and lifetime.

|                                |                                |
|--------------------------------|--------------------------------|
| $V_S$ .....                    | 0V to 6V                       |
| $V_{IN}$ .....                 | $-V_S - 0.5V$ to $+V_S + 0.5V$ |
| Continuous Output Current..... | -40mA to +40mA                 |

### Operating Conditions

|   |                |
|---|----------------|
| Supply Voltage Range .....              | 2.5 to 5.5V    |
| Operating Temperature Range .....       | -40°C to 125°C |
| Junction Temperature .....              | 150°C          |
| Storage Temperature Range.....          | -65°C to 150°C |
| Lead Temperature (Soldering, 10s) ..... | 260°C          |

### Package Thermal Resistance

|   |         |
|---|---------|
| $\theta_{JA}$ (SOIC-8) .....  | 150°C/W |
| $\theta_{JA}$ (MSOP-8) .....  | 200°C/W |
| $\theta_{JA}$ (SOIC-14) .....   | 90°C/W  |
| $\theta_{JA}$ (TSSOP-14) .....  | 100°C/W |
| Package thermal resistance ( $\theta_{JA}$ ), JEDEC standard, multi-layer test boards, still air. |         |

### ESD Protection

|  |     |
|--|-----|
| CLC2011, CLC4011 (HBM) .....           | 2kV |
| ESD Rating for HBM (Human Body Model). |     |

## Electrical Characteristics at +2.7V

$T_A = 25^\circ\text{C}$ ,  $V_S = +2.7\text{V}$ ,  $R_f = R_g = 5\text{k}\Omega$ ,  $R_L = 10\text{k}\Omega$  to  $V_S/2$ ;  $G = 2$ ; unless otherwise noted.

| Symbol                    | Parameter                    | Conditions   | Min | Typ           | Max | Units                        |
|---------------------------|------------------------------|--|-----|---------------|-----|------------------------------|
| Frequency Domain Response |                              |  |     |               |     |                              |
| UGBW <sub>SS</sub>        | Unity Gain -3dB Bandwidth    | $G = +1$ , $V_{OUT} = 0.02V_{pp}$                            |     | 4.9           |     | MHz                          |
| BW <sub>SS</sub>          | -3dB Bandwidth               | $G = +2$ , $V_{OUT} = 0.2V_{pp}$                             |     | 3.2           |     | MHz                          |
| BW <sub>LS</sub>          | Large Signal Bandwidth       | $G = +2$ , $V_{OUT} = 2V_{pp}$                               |     | 1.4           |     | MHz                          |
| GBWP                      | Gain Bandwidth Product       | $G = +11$ , $V_{OUT} = 0.2V_{pp}$                            |     | 2.5           |     | MHz                          |
| Time Domain Response      |                              |  |     |               |     |                              |
| $t_R$ , $t_F$             | Rise and Fall Time           | $V_{OUT} = 1\text{V}$ step; (10% to 90%)                     |     | 163           |     | ns                           |
| $t_S$                     | Settling Time to 0.1%        | $V_{OUT} = 1\text{V}$ step                                   |     | 500           |     | ns                           |
| OS                        | Overshoot                    | $V_{OUT} = 1\text{V}$ step                                   |     | <1            |     | %                            |
| SR                        | Slew Rate                    | 1V step  |     | 5.3           |     | V/ $\mu\text{s}$             |
| Distortion/Noise Response |                              |  |     |               |     |                              |
| HD2                       | 2nd Harmonic Distortion      | 10kHz, $V_{OUT} = 1V_{pp}$                                   |     | -72           |     | dBc                          |
| HD3                       | 3rd Harmonic Distortion      | 10kHz, $V_{OUT} = 1V_{pp}$                                   |     | -72           |     | dBc                          |
| THD                       | Total Harmonic Distortion    | 10kHz, $V_{OUT} = 1V_{pp}$                                   |     | 0.03          |     | %                            |
| $e_n$                     | Input Voltage Noise          | >10kHz   |     | 21            |     | nV/ $\sqrt{\text{Hz}}$       |
| X <sub>TALK</sub>         | Crosstalk                    | Channel to Channel, $V_{OUT} = 2V_{pp}$ , $f = 10\text{kHz}$ |     | 82            |     | dB                           |
|                           |                              | Channel to Channel, $V_{OUT} = 2V_{pp}$ , $f = 50\text{kHz}$ |     | 74            |     | dB                           |
| DC Performance            |                              |  |     |               |     |                              |
| $V_{IO}$                  | Input Offset Voltage         |  |     | 0.5           |     | mV                           |
| $d_{VIO}$                 | Average Drift                |  |     | 5             |     | $\mu\text{V}/^\circ\text{C}$ |
| $I_B$                     | Input Bias Current           |  |     | 90            |     | nA                           |
| $dI_B$                    | Average Drift                |  |     | 32            |     | $\text{pA}/^\circ\text{C}$   |
| PSRR                      | Power Supply Rejection Ratio | DC   | 55  | 83            |     | dB                           |
| $A_{OL}$                  | Open Loop Gain               | $V_{OUT} = V_S / 2$  |     | 90            |     | dB                           |
| $I_S$                     | Supply Current               | per channel  |     | 136           |     | $\mu\text{A}$                |
| Input Characteristics     |                              |  |     |               |     |                              |
| $R_{IN}$                  | Input Resistance             | Non-inverting  |     | 12            |     | $\text{M}\Omega$             |
| $C_{IN}$                  | Input Capacitance            |  |     | 2             |     | pF                           |
| CMIR                      | Common Mode Input Range      |  |     | -0.25 to 2.95 |     | V                            |
| CMRR                      | Common Mode Rejection Ratio  | DC   |     | 81            |     | dB                           |
| Output Characteristics    |                              |  |     |               |     |                              |
| $V_{OUT}$                 | Output Voltage Swing         | $R_L = 10\text{k}\Omega$ to $V_S / 2$                        |     | 0.02 to 2.68  |     | V                            |
|                           |                              | $R_L = 1\text{k}\Omega$ to $V_S / 2$                         |     | 0.05 to 2.63  |     | V                            |
|                           |                              | $R_L = 200\Omega$ to $V_S / 2$                               |     | 0.11 to 2.52  |     | V                            |
| $I_{OUT}$                 | Output Current               |  |     | $\pm 30$      |     | mA                           |

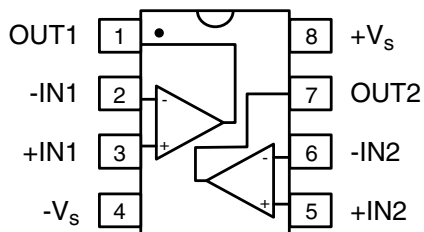
## Electrical Characteristics at +5V

$T_A = 25^\circ\text{C}$ ,  $V_S = +5\text{V}$ ,  $R_f = R_g = 5\text{k}\Omega$ ,  $R_L = 10\text{k}\Omega$  to  $V_S/2$ ;  $G = 2$ ; unless otherwise noted.

| Symbol                    | Parameter                    | Conditions   | Min          | Typ           | Max | Units                        |
|---------------------------|------------------------------|--|--------------|---------------|-----|------------------------------|
| Frequency Domain Response |                              |  |              |               |     |                              |
| UGBW <sub>SS</sub>        | Unity Gain -3dB Bandwidth    | $G = +1$ , $V_{OUT} = 0.02V_{pp}$                            |              | 4.3           |     | MHz                          |
| BW <sub>SS</sub>          | -3dB Bandwidth               | $G = +2$ , $V_{OUT} = 0.2V_{pp}$                             |              | 3.0           |     | MHz                          |
| BW <sub>LS</sub>          | Large Signal Bandwidth       | $G = +2$ , $V_{OUT} = 2V_{pp}$                               |              | 2.3           |     | MHz                          |
| GBWP                      | Gain Bandwidth Product       | $G = +11$ , $V_{OUT} = 0.2V_{pp}$                            |              | 2.5           |     | MHz                          |
| Time Domain Response      |                              |  |              |               |     |                              |
| $t_R$ , $t_F$             | Rise and Fall Time           | $V_{OUT} = 1\text{V}$ step; (10% to 90%)                     |              | 110           |     | ns                           |
| $t_S$                     | Settling Time to 0.1%        | $V_{OUT} = 2\text{V}$ step                                   |              | 470           |     | ns                           |
| OS                        | Overshoot                    | $V_{OUT} = 1\text{V}$ step                                   |              | <1            |     | %                            |
| SR                        | Slew Rate                    | 2V step  |              | 9             |     | V/ $\mu\text{s}$             |
| Distortion/Noise Response |                              |  |              |               |     |                              |
| HD2                       | 2nd Harmonic Distortion      | 10kHz, $V_{OUT} = 1V_{pp}$                                   |              | -73           |     | dBc                          |
| HD3                       | 3rd Harmonic Distortion      | 10kHz, $V_{OUT} = 1V_{pp}$                                   |              | -75           |     | dBc                          |
| THD                       | Total Harmonic Distortion    | 10kHz, $V_{OUT} = 1V_{pp}$                                   |              | 0.03          |     | %                            |
| $e_n$                     | Input Voltage Noise          | >10kHz   |              | 22            |     | nV/ $\sqrt{\text{Hz}}$       |
| X <sub>TALK</sub>         | Crosstalk                    | Channel to Channel, $V_{OUT} = 2V_{pp}$ , $f = 10\text{kHz}$ |              | 82            |     | dB                           |
|                           |                              | Channel to Channel, $V_{OUT} = 2V_{pp}$ , $f = 50\text{kHz}$ |              | 74            |     | dB                           |
| DC Performance            |                              |  |              |               |     |                              |
| $V_{IO}$                  | Input Offset Voltage         |  | -8           | 1.5           | 8   | mV                           |
| $d_{VIO}$                 | Average Drift                |  |              | 15            |     | $\mu\text{V}/^\circ\text{C}$ |
| $I_B$                     | Input Bias Current           |  |              | 90            | 450 | nA                           |
| $dI_B$                    | Average Drift                |  |              | 40            |     | $\text{pA}/^\circ\text{C}$   |
| PSRR                      | Power Supply Rejection Ratio | DC   | 55           | 85            |     | dB                           |
| $A_{OL}$                  | Open Loop Gain               | $V_{OUT} = V_S / 2$  |              | 80            |     | dB                           |
| $I_S$                     | Supply Current               | per channel  |              | 160           | 235 | $\mu\text{A}$                |
| Input Characteristics     |                              |  |              |               |     |                              |
| $R_{IN}$                  | Input Resistance             | Non-inverting  |              | 12            |     | $\text{M}\Omega$             |
| $C_{IN}$                  | Input Capacitance            |  |              | 2             |     | pF                           |
| CMIR                      | Common Mode Input Range      |  |              | -0.25 to 5.25 |     | V                            |
| CMRR                      | Common Mode Rejection Ratio  | DC   | 58           | 80            |     | dB                           |
| Output Characteristics    |                              |  |              |               |     |                              |
| $V_{OUT}$                 | Output Voltage Swing         | $R_L = 10\text{k}\Omega$ to $V_S / 2$                        | 0.08 to 4.92 | 0.04 to 4.96  |     | V                            |
|                           |                              | $R_L = 1\text{k}\Omega$ to $V_S / 2$                         |              | 0.07 to 4.9   |     | V                            |
|                           |                              | $R_L = 200\Omega$ to $V_S / 2$                               |              | 0.14 to 4.67  |     | V                            |
| $I_{OUT}$                 | Output Current               |  |              | $\pm 35$      |     | mA                           |

### CLC2011 Pin Configurations

SOIC-8 / MSOP-8



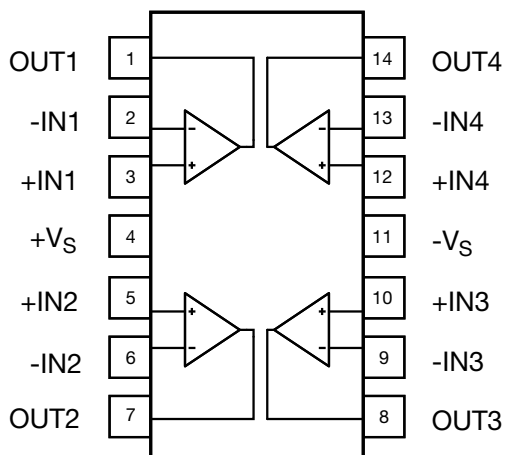
### CLC2011 Pin Assignments

SOIC-8 / MSOP-8

| Pin No. | Pin Name | Description               |
|---------|----------|---------------------------|
| 1       | OUT1     | Output, channel 1         |
| 2       | -IN1     | Negative input, channel 1 |
| 3       | +IN1     | Positive input, channel 1 |
| 4       | -Vs      | Negative supply           |
| 5       | +IN2     | Positive input, channel 2 |
| 6       | -IN2     | Negative input, channel 2 |
| 7       | OUT2     | Output, channel 2         |
| 8       | +Vs      | Positive supply           |

### CLC4011 Pin Configuration

SOIC-14 / TSSOP-14



### CLC4011 Pin Assignments

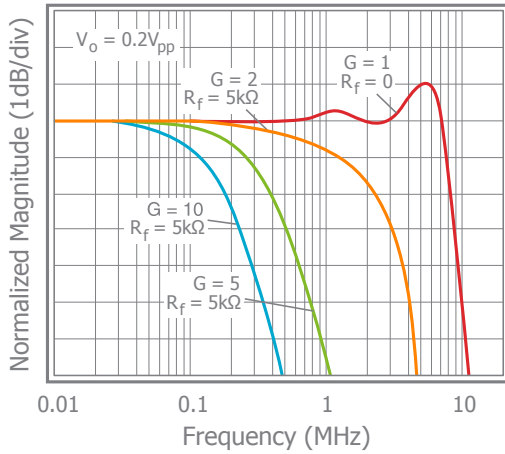
SOIC-14 / TSSOP-14

| Pin No. | Pin Name | Description               |
|---------|----------|---------------------------|
| 1       | OUT1     | Output, channel 1         |
| 2       | -IN1     | Negative input, channel 1 |
| 3       | +IN1     | Positive input, channel 1 |
| 4       | +Vs      | Positive supply           |
| 5       | +IN2     | Positive input, channel 2 |
| 6       | -IN2     | Negative input, channel 2 |
| 7       | OUT2     | Output, channel 2         |
| 8       | OUT3     | Output, channel 3         |
| 9       | -IN3     | Negative input, channel 3 |
| 10      | +IN3     | Positive input, channel 3 |
| 11      | -Vs      | Negative supply           |
| 12      | +IN4     | Positive input, channel 4 |
| 13      | -IN4     | Negative input, channel 4 |
| 14      | OUT4     | Output, channel 4         |

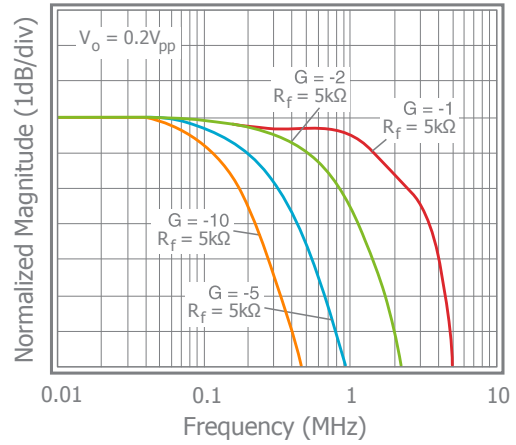
**Typical Performance Characteristics**

$T_A = 25^\circ\text{C}$ ,  $V_S = +2.7\text{V}$ ,  $R_f = R_g = 5\text{k}\Omega$ ,  $R_L = 10\text{k}\Omega$  to  $V_S/2$ ;  $G = 2$ ; unless otherwise noted.

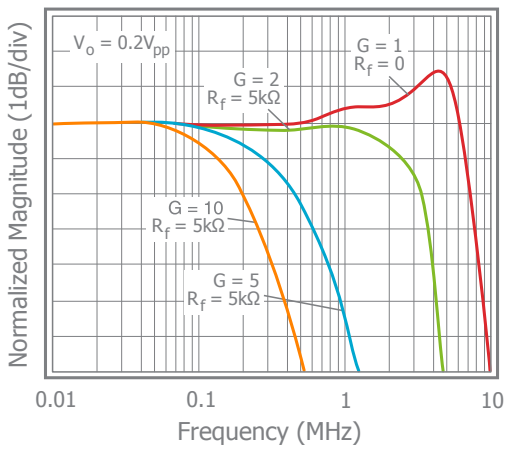
Non-Inverting Frequency Response at  $V_S = 5\text{V}$



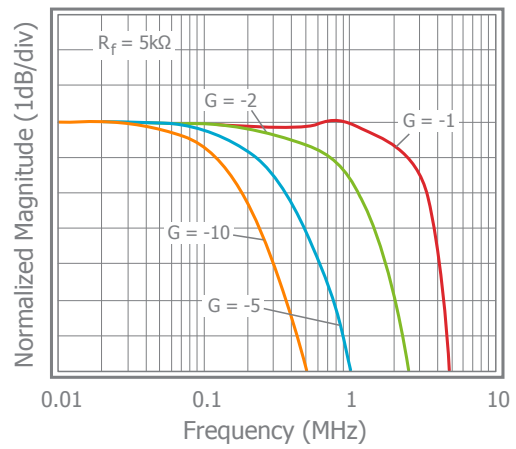
Inverting Frequency Response at  $V_S = 5\text{V}$



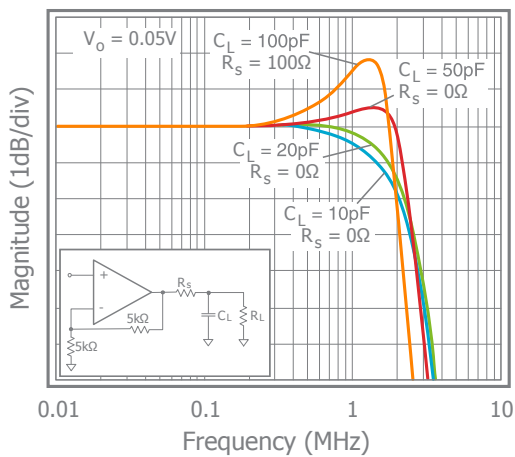
Non-Inverting Frequency Response at  $V_S = 2.7\text{V}$



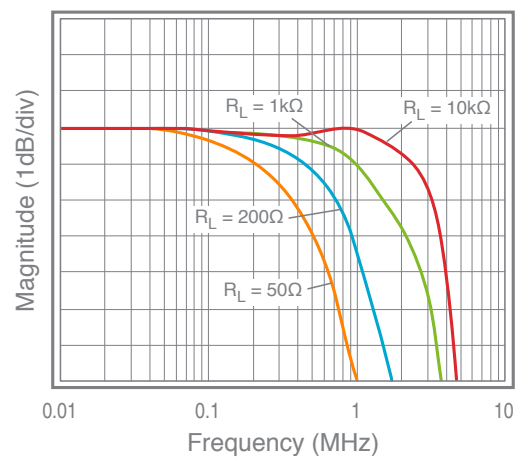
Inverting Frequency Response at  $V_S = 2.7\text{V}$



Frequency Response vs  $C_L$



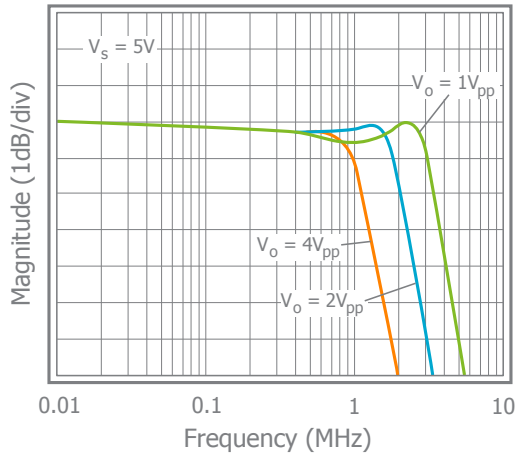
Frequency Response vs  $R_L$



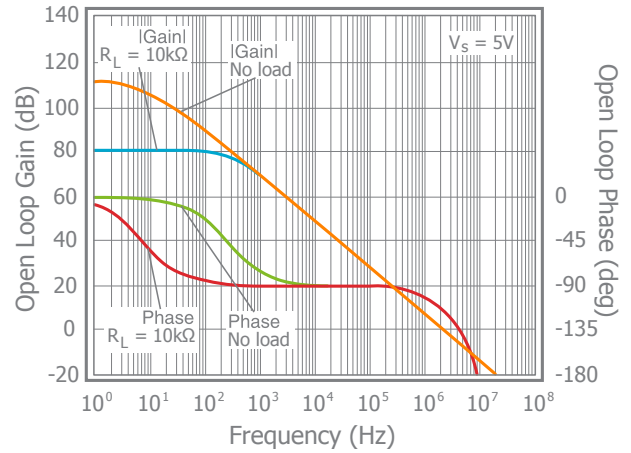
### Typical Performance Characteristics

$T_A = 25^\circ\text{C}$ ,  $V_S = +2.7\text{V}$ ,  $R_f = R_g = 5\text{k}\Omega$ ,  $R_L = 10\text{k}\Omega$  to  $V_S/2$ ;  $G = 2$ ; unless otherwise noted.

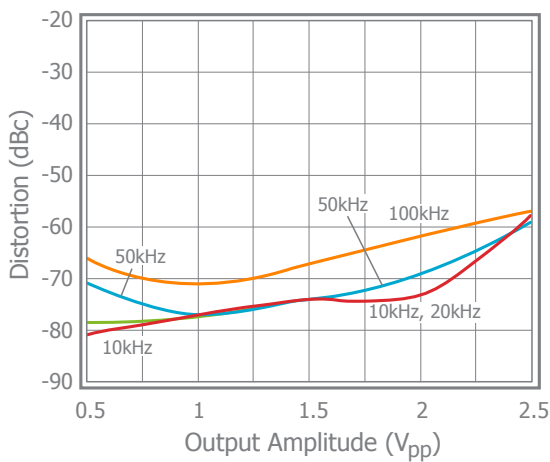
Frequency Response vs.  $V_{OUT}$



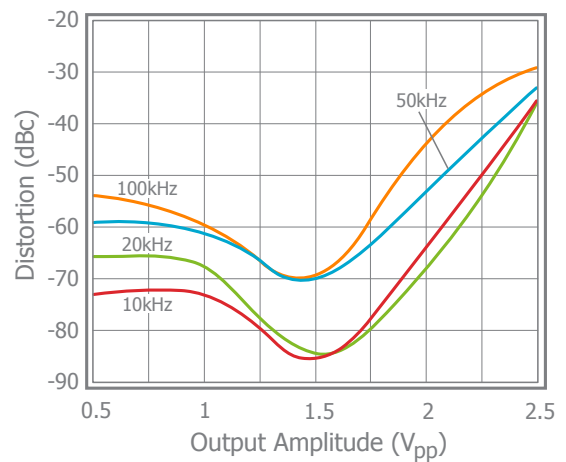
Open Loop Gain & Phase vs. Frequency



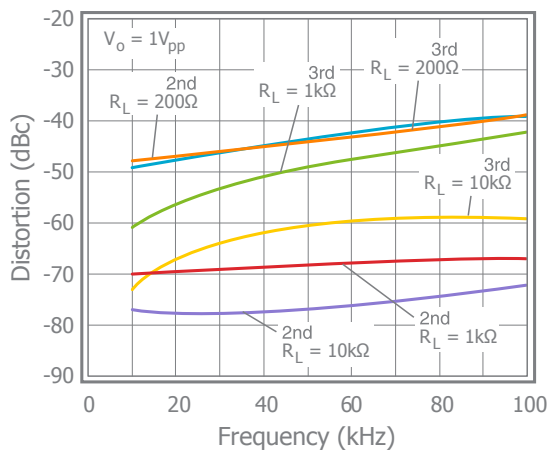
2nd Harmonic Distortion vs  $V_{OUT}$



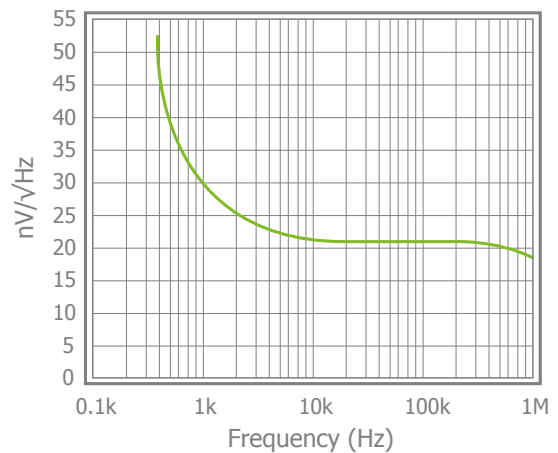
3rd Harmonic Distortion vs  $V_{OUT}$



2nd & 3rd Harmonic Distortion at  $V_S = 2.7\text{V}$



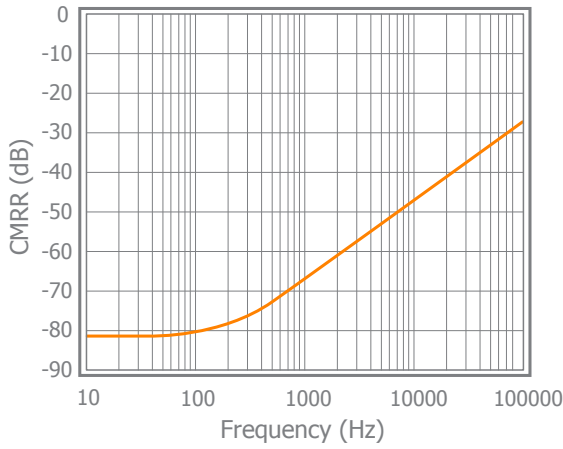
Input Voltage Noise



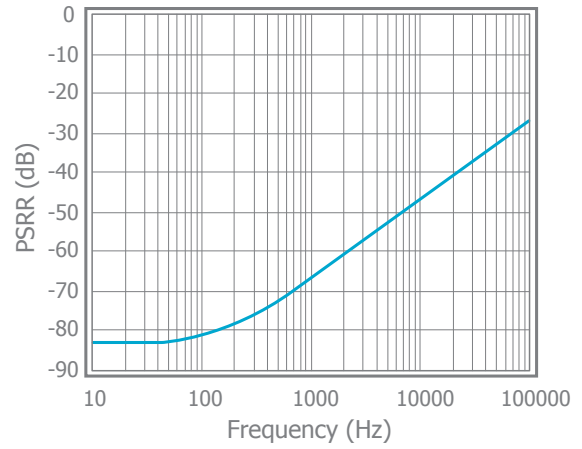
### Typical Performance Characteristics

$T_A = 25^\circ\text{C}$ ,  $V_S = +2.7\text{V}$ ,  $R_f = R_g = 5\text{k}\Omega$ ,  $R_L = 10\text{k}\Omega$  to  $V_S/2$ ;  $G = 2$ ; unless otherwise noted.

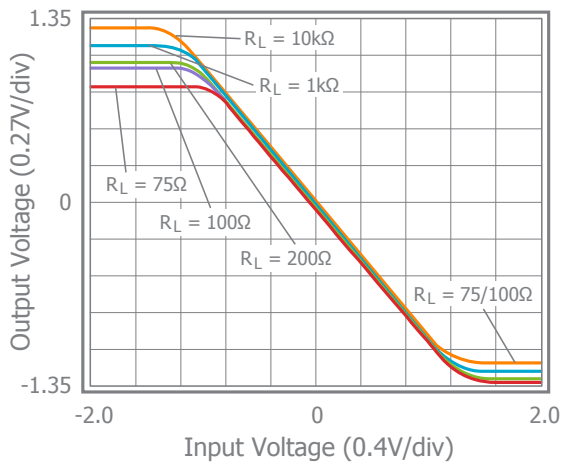
CMRR



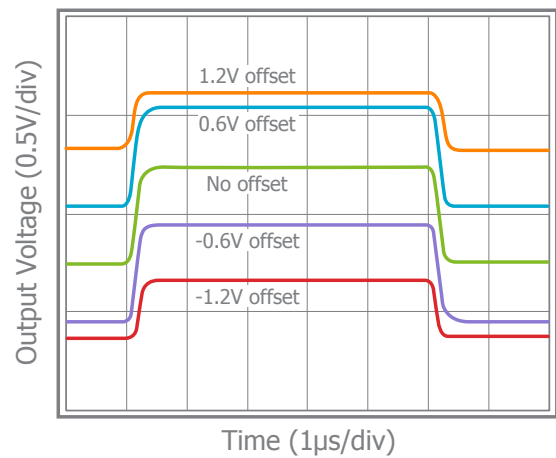
PSRR



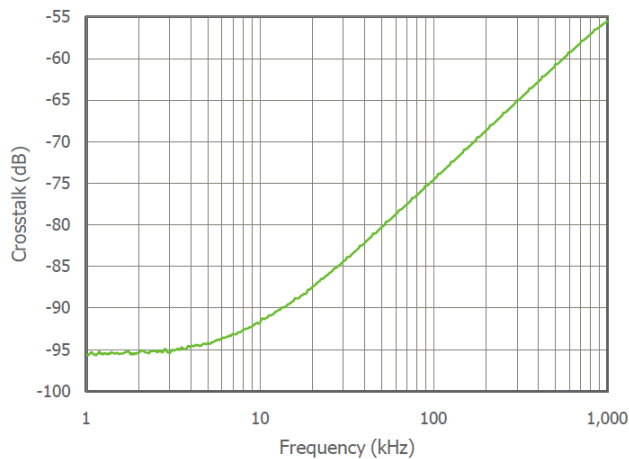
Output Swing vs. Load



Pulse Response vs. Common Mode Voltage



Crosstalk vs. Frequency





## Application Information

### General Description

The CLCx011 family of amplifiers are single supply, general purpose, voltage-feedback amplifiers. They are fabricated on a complimentary bipolar process, feature a rail-to-rail input and output, and are unity gain stable.

### Basic Operation

Figures 1, 2, and 3 illustrate typical circuit configurations for non-inverting, inverting, and unity gain topologies for dual supply applications. They show the recommended bypass capacitor values and overall closed loop gain equations. Figure 4 shows the typical non-inverting gain circuit for single supply applications.

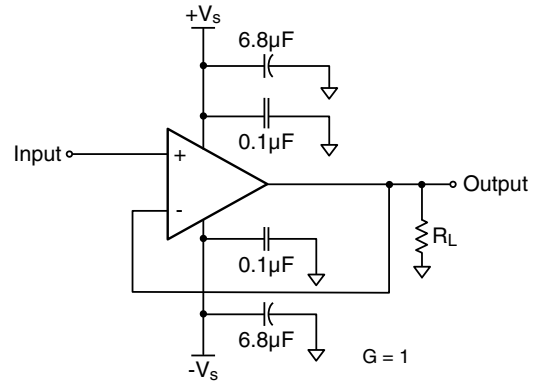


Figure 3: Unity Gain Circuit

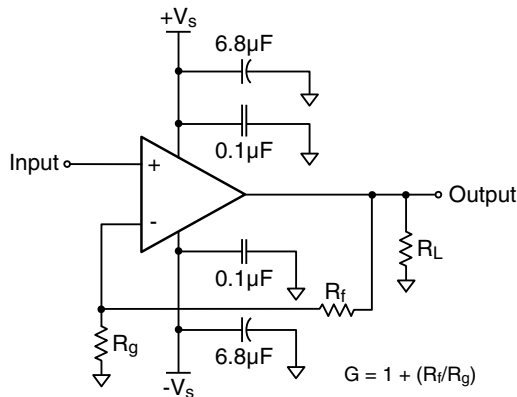


Figure 1: Typical Non-Inverting Gain Circuit

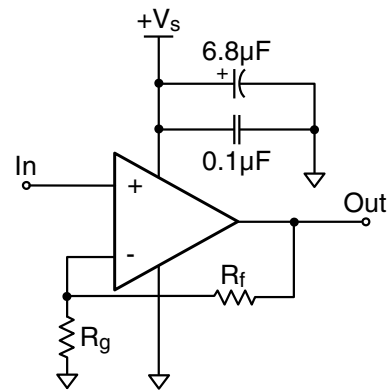


Figure 4: Single Supply Non-Inverting Gain Circuit

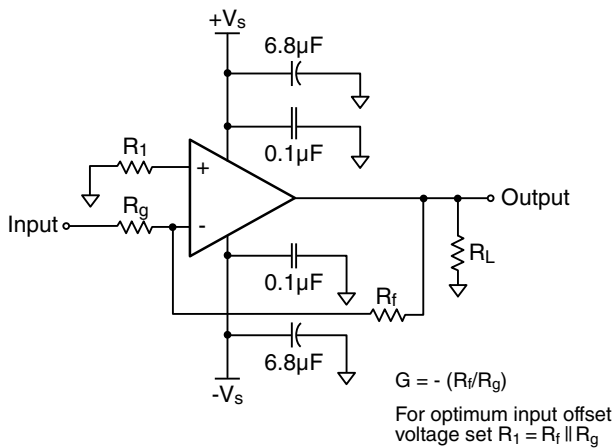


Figure 2: Typical Inverting Gain Circuit

### Power Dissipation

Power dissipation should not be a factor when operating under the stated 10kΩ load condition. However, applications with low impedance, DC coupled loads should be analyzed to ensure that maximum allowed junction temperature is not exceeded. Guidelines listed below can be used to verify that the particular application will not cause the device to operate beyond its intended operating range.

Maximum power levels are set by the absolute maximum junction rating of 150°C. To calculate the junction temperature, the package thermal resistance value  $\theta_{JA}$  ( $\theta_{JA}$ ) is used along with the total die power dissipation.

$$T_{\text{Junction}} = T_{\text{Ambient}} + (\theta_{JA} \times P_D)$$

Where  $T_{\text{Ambient}}$  is the temperature of the working environment.

In order to determine  $P_D$ , the power dissipated in the load needs to be subtracted from the total power delivered by the supplies.

$$P_D = P_{supply} - P_{load}$$

Supply power is calculated by the standard power equation.

$$P_{supply} = V_{supply} \times I_{RMSsupply}$$

$$V_{supply} = V_{S+} - V_{S-}$$

Power delivered to a purely resistive load is:

$$P_{load} = ((V_{load})_{RMS})^2 / R_{load_{eff}}$$

The effective load resistor ( $R_{load_{eff}}$ ) will need to include the effect of the feedback network. For instance,  $R_{load_{eff}}$  in Figure 3 would be calculated as:

$$R_L \parallel (R_f + R_g)$$

These measurements are basic and are relatively easy to perform with standard lab equipment. For design purposes however, prior knowledge of actual signal levels and load impedance is needed to determine the dissipated power. Here,  $P_D$  can be found from

$$P_D = P_{Quiescent} + P_{Dynamic} - P_{load}$$

Quiescent power can be derived from the specified  $I_S$  values along with known supply voltage,  $V_{supply}$ . Load power can be calculated as above with the desired signal amplitudes using:

$$(V_{load})_{RMS} = V_{peak} / \sqrt{2}$$

$$(I_{load})_{RMS} = (V_{load})_{RMS} / R_{load_{eff}}$$

The dynamic power is focused primarily within the output stage driving the load. This value can be calculated as:

$$P_{Dynamic} = (V_{S+} - V_{load})_{RMS} \times (I_{load})_{RMS}$$

Assuming the load is referenced in the middle of the power rails or  $V_{supply}/2$ .

The CLC2011 is short circuit protected. However, this may not guarantee that the maximum junction temperature (+150°C) is not exceeded under all conditions. Figure 5 shows the maximum safe power dissipation in the package vs. the ambient temperature for the packages available.

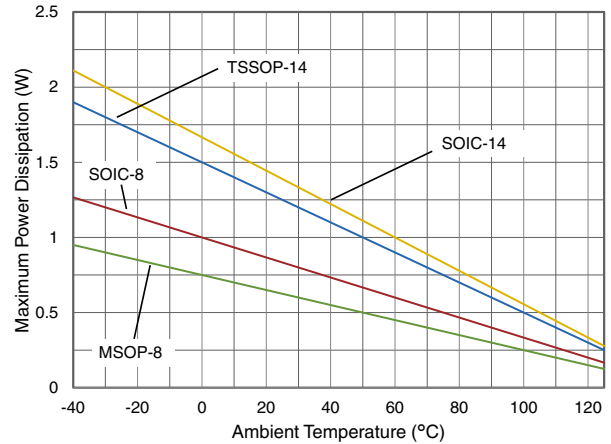


Figure 5. Maximum Power Derating

### Input Common Mode Voltage

The common mode input range extends to 250mV below ground and to 250mV above  $V_S$ , in single supply operation. Exceeding these values will not cause phase reversal. However, if the input voltage exceeds the rails by more than 0.5V, the input ESD devices will begin to conduct. The output will stay at the rail during this overdrive condition. If the absolute maximum input voltage (700mV beyond either rail) is exceeded, externally limit the input current to  $\pm 5mA$  as shown in Figure 6.

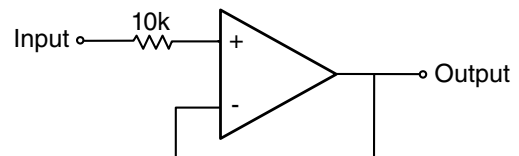


Figure 6. Circuit for Input Current Protection

### Driving Capacitive Loads

Increased phase delay at the output due to capacitive loading can cause ringing, peaking in the frequency response, and possible unstable behavior. Use a series resistance,  $R_S$ , between the amplifier and the load to help improve stability and settling performance. Refer to Figure 7.

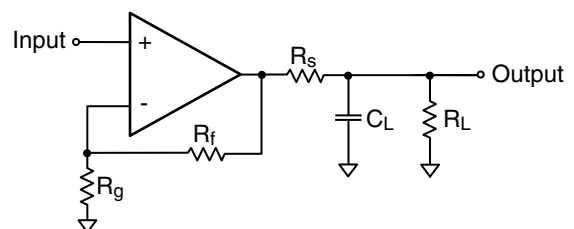


Figure 7. Addition of  $R_S$  for Driving Capacitive Loads

Table 1 provides the recommended  $R_S$  for various capacitive loads. The recommended  $R_S$  values result in approximately <1dB peaking in the frequency response. The Frequency Response vs. CL plot, on page 6, illustrates the response of the CLCx011.

| $C_L$ (pF) | $R_S$ ( $\Omega$ ) | -3dB BW (MHz) |
|------------|--------------------|---------------|
| 10pF       | 0                  | 2.2           |
| 20pF       | 0                  | 2.4           |
| 50pF       | 0                  | 2.5           |
| 100pF      | 100                | 2             |

Table 1: Recommended  $R_S$  vs.  $C_L$

For a given load capacitance, adjust  $R_S$  to optimize the tradeoff between settling time and bandwidth. In general, reducing  $R_S$  will increase bandwidth at the expense of additional overshoot and ringing.

### Overdrive Recovery

An overdrive condition is defined as the point when either one of the inputs or the output exceed their specified voltage range. Overdrive recovery is the time needed for the amplifier to return to its normal or linear operating point. The recovery time varies, based on whether the input or output is overdriven and by how much the range is exceeded. The CLCx011 will typically recover in less than 50ns from an overdrive condition. Figure 8 shows the CLC2011 in an overdriven condition.

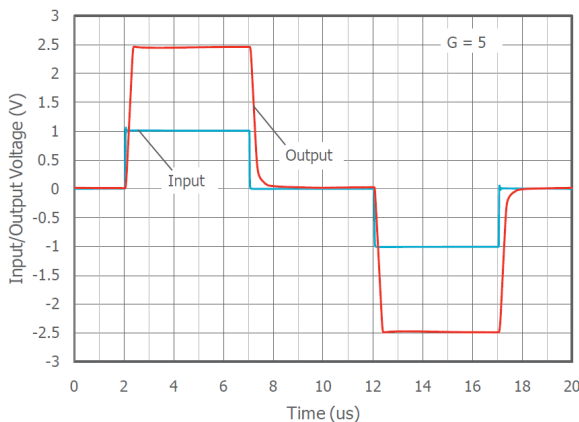


Figure 8: Overdrive Recovery

### Layout Considerations

General layout and supply bypassing play major roles in high frequency performance. Exar has evaluation boards to use as a guide for high frequency layout and as an aid in device testing and characterization. Follow the steps below as a basis for high frequency layout:

- Include 6.8 $\mu$ F and 0.1 $\mu$ F ceramic capacitors for power supply decoupling
- Place the 6.8 $\mu$ F capacitor within 0.75 inches of the power pin
- Place the 0.1 $\mu$ F capacitor within 0.1 inches of the power pin
- Remove the ground plane under and around the part, especially near the input and output pins to reduce parasitic capacitance
- Minimize all trace lengths to reduce series inductances

Refer to the evaluation board layouts below for more information.

### Evaluation Board Information

The following evaluation boards are available to aid in the testing and layout of these devices:

| Evaluation Board # | Products         |
|--------------------|------------------|
| CEB006             | CLC2011 in SOIC  |
| CEB010             | CLC2011 in MSOP  |
| CEB019             | CLC4011 in TSSOP |
| CEB018             | CLC4011 in SOIC  |

### Evaluation Board Schematics

Evaluation board schematics and layouts are shown in Figures 9-16. These evaluation boards are built for dual-supply operation. Follow these steps to use the board in a single-supply application:

1. Short  $-V_S$  to ground.
2. Use C3 and C4, if the  $-V_S$  pin of the amplifier is not directly connected to the ground plane.

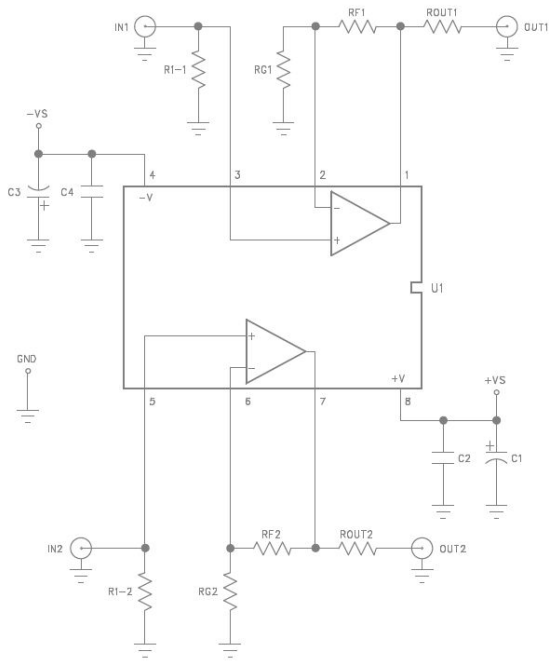


Figure 9. CEB006 & CEB010 Schematic

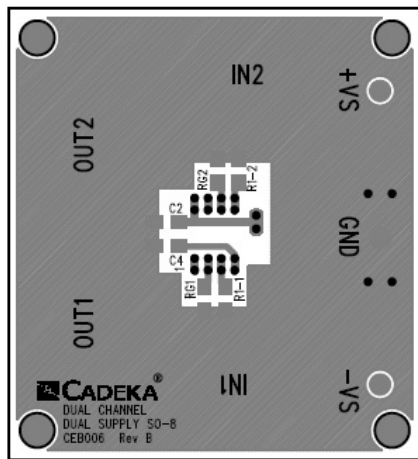


Figure 10. CEB006 Top View

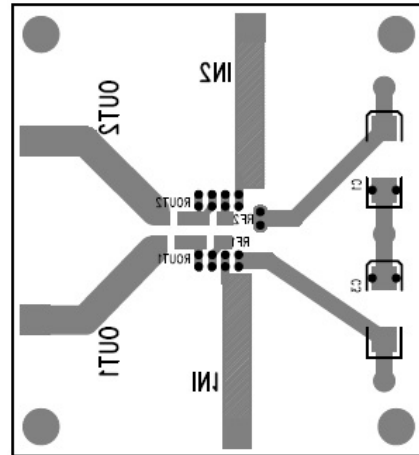


Figure 11. CEB006 Bottom View

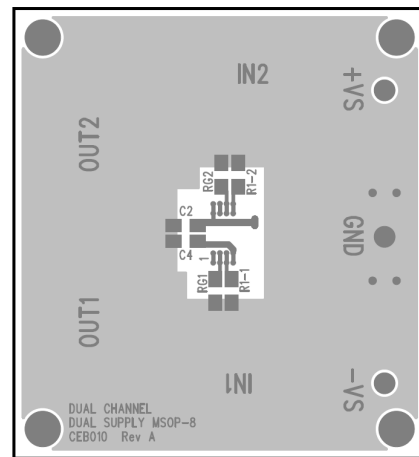


Figure 12. CEB010 Top View

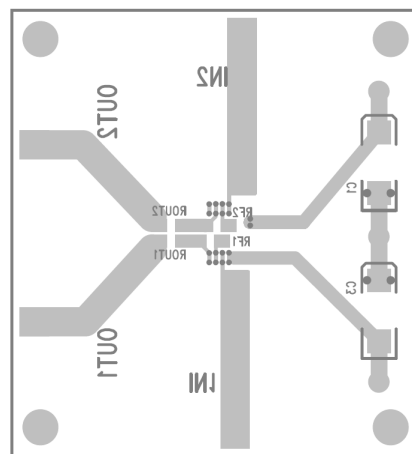


Figure 13. CEB010 Bottom View

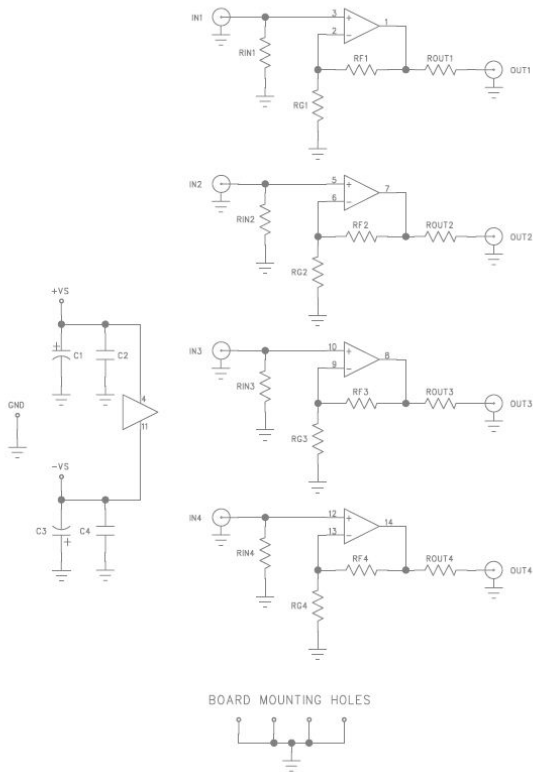


Figure 14. CEB018 Schematic

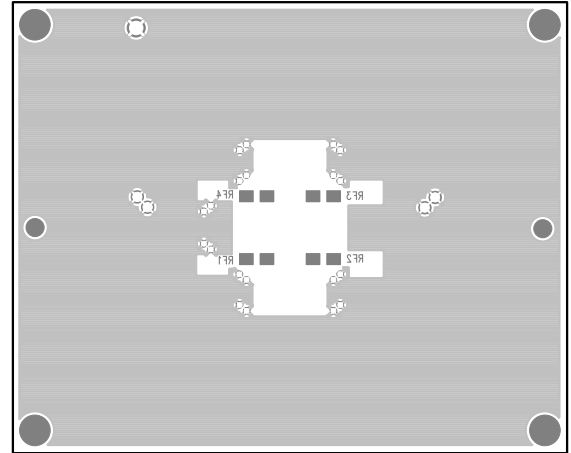


Figure 16. CEB018 Bottom View

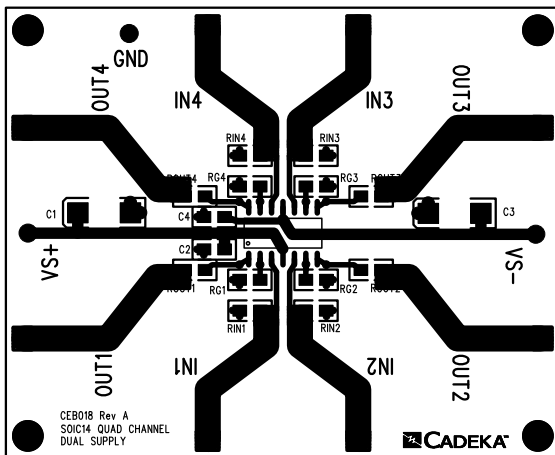
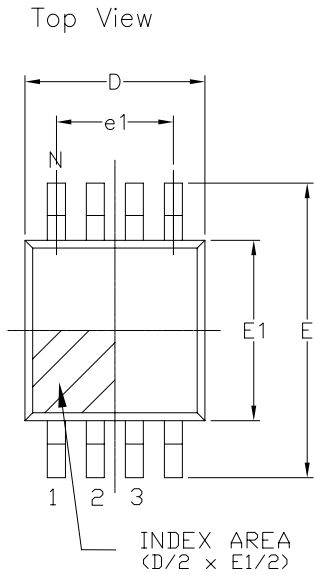


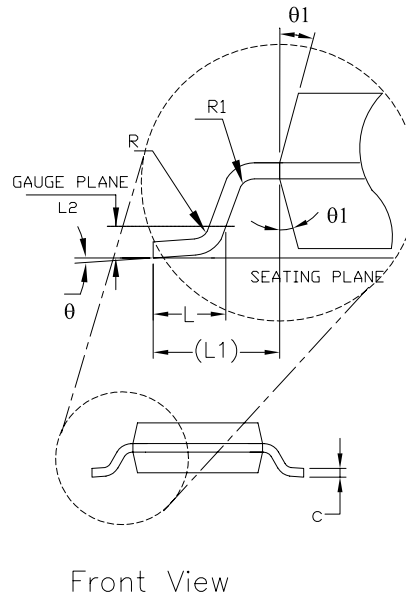
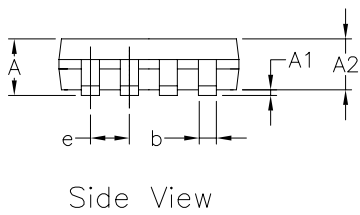
Figure 15. CEB018 Top View

Mechanical Dimensions

MSOP-8

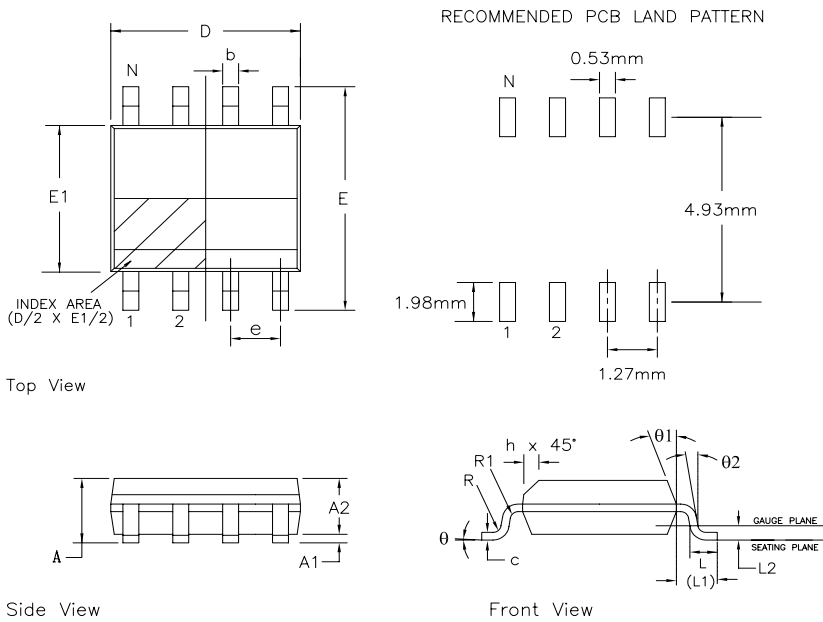


| 8 Pin MSOP JEDEC MO-187 Variation AA |                                    |      |      |  |       |       |
|--------------------------------------|------------------------------------|------|------|--|-------|-------|
| SYMBOLS                              | DIMENSIONS IN MM<br>(Control Unit) |      |      | DIMENSIONS IN INCH<br>(Reference Unit) |       |       |
|                                      | MIN                                | NOM  | MAX  | MIN                                    | NOM   | MAX   |
| A                                    | —                                  | —    | 1.10 | —                                      | —     | 0.043 |
| A1                                   | 0.00                               | —    | 0.15 | 0.000                                  | —     | 0.006 |
| A2                                   | 0.75                               | 0.85 | 0.95 | 0.030                                  | 0.033 | 0.037 |
| b                                    | 0.22                               | —    | 0.38 | 0.009                                  | —     | 0.015 |
| c                                    | 0.08                               | —    | 0.23 | 0.003                                  | —     | 0.009 |
| E                                    | 4.90 BSC                           |      |      | 0.193 BSC                              |       |       |
| E1                                   | 3.00 BSC                           |      |      | 0.118 BSC                              |       |       |
| e                                    | 0.65 BSC                           |      |      | 0.026 BSC                              |       |       |
| e1                                   | 1.95 BSC                           |      |      | 0.077 BSC                              |       |       |
| L                                    | 0.40                               | 0.60 | 0.80 | 0.016                                  | 0.024 | 0.031 |
| L1                                   | 0.95 REF                           |      |      | 0.037 REF                              |       |       |
| L2                                   | 0.25 BSC                           |      |      | 0.010 BSC                              |       |       |
| R                                    | 0.07                               | —    | —    | 0.003                                  | —     | —     |
| R1                                   | 0.07                               | —    | —    | 0.003                                  | —     | —     |
| $\theta$                             | 0°                                 | —    | 8°   | 0°                                     | —     | 8°    |
| $\theta1$                            | 5°                                 | —    | 15°  | 5°                                     | —     | 15°   |
| D                                    | 3.00 BSC                           |      |      | 0.118 BSC                              |       |       |
| N                                    | 8                                  |      |      | 8                                      |       |       |



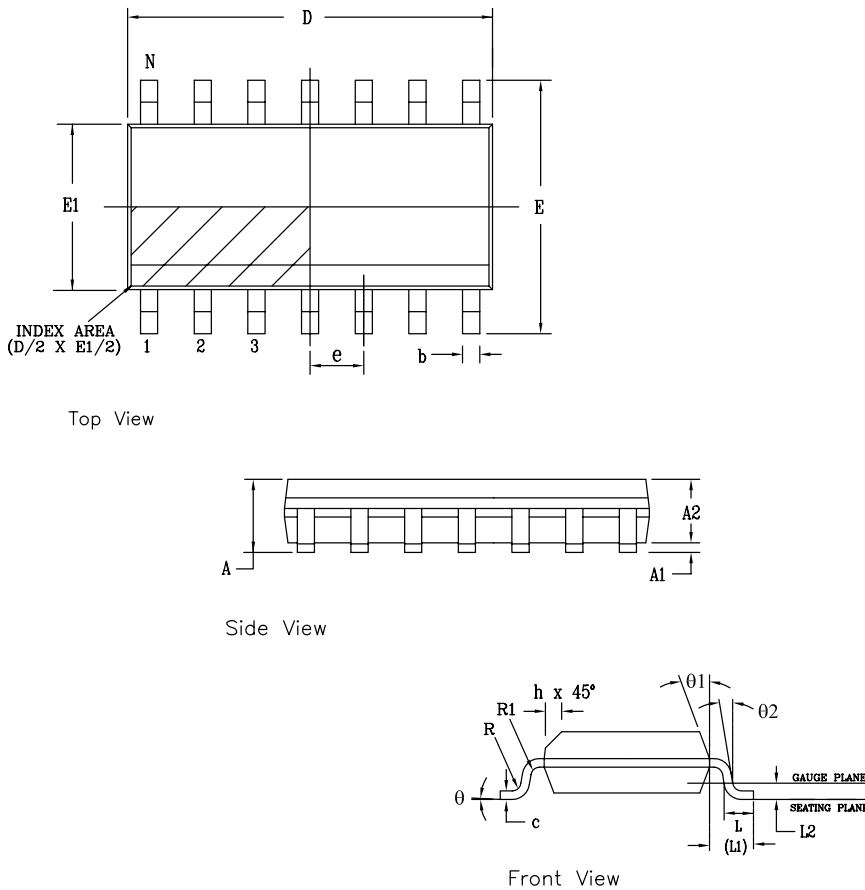
## Mechanical Dimensions

### SOIC-8 Package



| 8 Pin SOICN JEDEC MS-012 Variation AA |                                    |     |      |  |     |       |
|---------------------------------------|------------------------------------|-----|------|--|-----|-------|
| SYMBOLS                               | DIMENSIONS IN MM<br>(Control Unit) |     |      | DIMENSIONS IN INCH<br>(Reference Unit) |     |       |
|                                       | MIN                                | NOM | MAX  | MIN                                    | NOM | MAX   |
| A                                     | 1.35                               | —   | 1.75 | 0.053                                  | —   | 0.069 |
| A1                                    | 0.10                               | —   | 0.25 | 0.004                                  | —   | 0.010 |
| A2                                    | 1.25                               | —   | 1.65 | 0.049                                  | —   | 0.065 |
| b                                     | 0.31                               | —   | 0.51 | 0.012                                  | —   | 0.020 |
| c                                     | 0.17                               | —   | 0.25 | 0.007                                  | —   | 0.010 |
| E                                     | 6.00 BSC                           |     |      | 0.236 BSC                              |     |       |
| E1                                    | 3.90 BSC                           |     |      | 0.154 BSC                              |     |       |
| e                                     | 1.27 BSC                           |     |      | 0.050 BSC                              |     |       |
| h                                     | 0.25                               | —   | 0.50 | 0.010                                  | —   | 0.020 |
| L                                     | 0.40                               | —   | 1.27 | 0.016                                  | —   | 0.050 |
| L1                                    | 1.04 REF                           |     |      | 0.041 REF                              |     |       |
| L2                                    | 0.25 BSC                           |     |      | 0.010 BSC                              |     |       |
| R                                     | 0.07                               | —   | —    | 0.003                                  | —   | —     |
| R1                                    | 0.07                               | —   | —    | 0.003                                  | —   | —     |
| θ                                     | 0°                                 | —   | 8°   | 0°                                     | —   | 8°    |
| θ1                                    | 5°                                 | —   | 15°  | 5°                                     | —   | 15°   |
| θ2                                    | 0°                                 | —   | —    | 0°                                     | —   | —     |
| D                                     | 4.90 BSC                           |     |      | 0.193 BSC                              |     |       |
| N                                     | 8                                  |     |      | 8                                      |     |       |

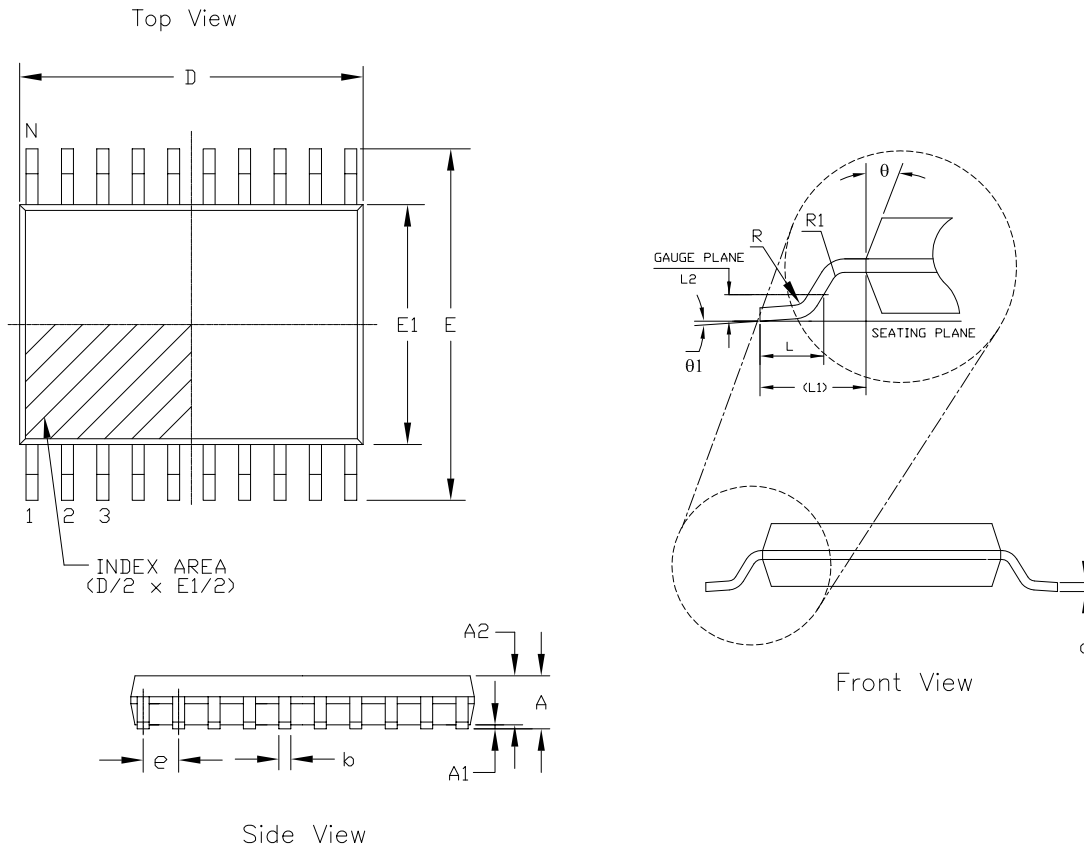
### SOIC-14 Package



| PACKAGE OUTLINE NSOIC .150" BODY<br>JEDEC MS-012 |   |     |      |   |     |       |
|--|---|-----|------|---|-----|-------|
| SYMBOLS  | COMMON DIMENSIONS IN MM<br>(Control Unit) |     |      | COMMON DIMENSIONS IN INCH<br>(Reference Unit) |     |       |
|  | MIN                                       | NOM | MAX  | MIN   | NOM | MAX   |
| A  | 1.35                                      | —   | 1.75 | 0.053   | —   | 0.069 |
| A1   | 0.10                                      | —   | 0.25 | 0.004   | —   | 0.010 |
| A2   | 1.25                                      | —   | 1.65 | 0.049   | —   | 0.065 |
| b  | 0.31                                      | —   | 0.51 | 0.012   | —   | 0.020 |
| c  | 0.17                                      | —   | 0.25 | 0.007   | —   | 0.010 |
| E  | 6.00 BSC                                  |     |      | 0.236 BSC                                     |     |       |
| E1   | 3.90 BSC                                  |     |      | 0.154 BSC                                     |     |       |
| e  | 1.27 BSC                                  |     |      | 0.050 BSC                                     |     |       |
| h  | 0.25                                      | —   | 0.50 | 0.010   | —   | 0.020 |
| L  | 0.40                                      | —   | 1.27 | 0.016   | —   | 0.050 |
| L1   | 1.04 REF                                  |     |      | 0.041 REF                                     |     |       |
| L2   | 0.25 BSC                                  |     |      | 0.010 BSC                                     |     |       |
| R  | 0.07                                      | —   | —    | 0.003   | —   | —     |
| R1   | 0.07                                      | —   | —    | 0.003   | —   | —     |
| θ  | 0°  | —   | 8°   | 0°  | —   | 8°    |
| θ1   | 5°  | —   | 15°  | 5°  | —   | 15°   |
| θ2   | 0°  | —   | —    | 0°  | —   | —     |
| D  | SEE VARIATIONS                            |     |      |   |     |       |
| N  | SEE VARIATIONS                            |     |      |   |     |       |

| VARIATION D |                                    |     |     |  |     |     |    |
|-------------|------------------------------------|-----|-----|--|-----|-----|----|
| SYMBOLS     | DIMENSIONS IN MM<br>(Control Unit) |     |     | DIMENSIONS IN INCH<br>(Reference Unit) |     |     | N  |
|             | MIN                                | NOM | MAX | MIN                                    | NOM | MAX |    |
| AA          | 4.90                               | BSC | —   | 0.193                                  | BSC | —   | 8  |
| AB          | 8.65                               | BSC | —   | 0.341                                  | BSC | —   | 14 |
| AC          | 9.90                               | BSC | —   | 0.390                                  | BSC | —   | 16 |

TSSOP-14 Package



| 14 Pin TSSOP JEDEC MO-153 Variation AB-1 |                                    |      |      |  |       |       |
|--|------------------------------------|------|------|--|-------|-------|
| SYMBOLS                                  | DIMENSIONS IN MM<br>(Control Unit) |      |      | DIMENSIONS IN INCH<br>(Reference Unit) |       |       |
|  | MIN                                | NOM  | MAX  | MIN                                    | NOM   | MAX   |
| A  | —                                  | —    | 1.20 | —                                      | —     | 0.047 |
| A1                                       | 0.05                               | —    | 0.15 | 0.002                                  | —     | 0.006 |
| A2                                       | 0.80                               | 1.00 | 1.05 | 0.031                                  | 0.039 | 0.041 |
| b  | 0.19                               | —    | 0.30 | 0.007                                  | —     | 0.012 |
| c  | 0.09                               | —    | 0.20 | 0.004                                  | —     | 0.008 |
| E  | 6.40 BSC                           |      |      | 0.252 BSC                              |       |       |
| E1                                       | 4.30                               | 4.40 | 4.50 | 0.169                                  | 0.173 | 0.177 |
| e  | 0.65 BSC                           |      |      | 0.026 BSC                              |       |       |
| L  | 0.45                               | 0.60 | 0.75 | 0.018                                  | 0.024 | 0.030 |
| L1                                       | 1.00 REF                           |      |      | 0.039 REF                              |       |       |
| L2                                       | 0.25 BSC                           |      |      | 0.010 BSC                              |       |       |
| R  | 0.09                               | —    | —    | 0.035                                  | —     | —     |
| R1                                       | 0.09                               | —    | —    | 0.035                                  | —     | —     |
| $\theta$                                 | 12° REF                            |      |      | 12° REF                                |       |       |
| $\theta1$                                | 0°                                 | —    | 8°   | 0°                                     | —     | 8°    |
| D  | 4.90                               | 5.00 | 5.10 | 0.193                                  | 0.197 | 0.200 |
| N  | 14                                 |      |      | 14                                     |       |       |



## Ordering Information

| Part Number                  | Package          | Green | Operating Temperature Range | Packaging        |
|------------------------------|------------------|-------|-----------------------------|------------------|
| CLC2011 Ordering Information |                  |       |                             |                  |
| CLC2011ISO8X                 | SOIC-8           | Yes   | -40°C to +125°C             | Tape & Reel      |
| CLC2011ISO8MTR               | SOIC-8           | Yes   | -40°C to +125°C             | Mini Tape & Reel |
| CLC2011ISO8EVB               | Evaluation Board | N/A   | N/A                         | N/A              |
| CLC2011IMP8X                 | MSOP-8           | Yes   | -40°C to +125°C             | Tape & Reel      |
| CLC2011IMP8MTR               | MSOP-8           | Yes   | -40°C to +125°C             | Mini Tape & Reel |
| CLC2011IMP8EVB               | Evaluation Board | N/A   | N/A                         | N/A              |
| CLC4011 Ordering Information |                  |       |                             |                  |
| CLC4011ISO14X                | SOIC-14          | Yes   | -40°C to +125°C             | Tape & Reel      |
| CLC4011ISO14MTR              | SOIC-14          | Yes   | -40°C to +125°C             | Mini Tape & Reel |
| CLC4011ISO14EVB              | Evaluation Board | N/A   | N/A                         | N/A              |
| CLC4011ITP14X                | TSSOP-14         | Yes   | -40°C to +125°C             | Tape & Reel      |
| CLC4011ITP14MTR              | TSSOP-14         | Yes   | -40°C to +125°C             | Mini Tape & Reel |
| CLC4011ITP14EVB              | Evaluation Board | N/A   | N/A                         | N/A              |

Moisture sensitivity level for all parts is MSL-1. Mini tape and reel quantity is 250.

## Revision History

| Revision         | Date             | Description   |
|------------------|------------------|---|
| 1D (ECN 1504-01) | January 19, 2015 | Reformat into Exar data sheet template. Updated PODs and thermal resistance numbers. Updated ordering information table to include MTR and EVB part numbers. Increased operating temperature to +125°C. |

### For Further Assistance:

Email: [CustomerSupport@exar.com](mailto:CustomerSupport@exar.com) or [HPATechSupport@exar.com](mailto:HPATechSupport@exar.com)

Exar Technical Documentation: <http://www.exar.com/techdoc/>

#### Exar Corporation Headquarters and Sales Offices

48760 Kato Road  
Fremont, CA 94538 - USA

Tel.: +1 (510) 668-7000  
Fax: +1 (510) 668-7001



A New Direction in Mixed-Signal

### NOTICE

EXAR Corporation reserves the right to make changes to the products contained in this publication in order to improve design, performance or reliability. EXAR Corporation assumes no responsibility for the use of any circuits described herein, conveys no license under any patent or other right, and makes no representation that the circuits are free of patent infringement. Charts and schedules contained here in are only for illustration purposes and may vary depending upon a user's specific application. While the information in this publication has been carefully checked; no responsibility, however, is assumed for inaccuracies.

EXAR Corporation does not recommend the use of any of its products in life support applications where the failure or malfunction of the product can reasonably be expected to cause failure of the life support system or to significantly affect its safety or effectiveness. Products are not authorized for use in such applications unless EXAR Corporation receives, in writing, assurances to its satisfaction that: (a) the risk of injury or damage has been minimized; (b) the user assumes all such risks; (c) potential liability of EXAR Corporation is adequately protected under the circumstances.

Reproduction, in part or whole, without the prior written consent of EXAR Corporation is prohibited.