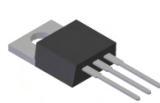


Features

- Low Forward Voltage Drop
- Excellent High Temperature Stability
- Patented Super Barrier Rectifier Technology
- Soft, Fast Switching Capability
- 175°C Operating Junction Temperature
- **Lead-Free Finish; RoHS Compliant (Notes 1 & 2)**
- **Also Available in Green Molding Compound (Note 4)**
 - **Halogen and Antimony Free. "Green" Device (Note 3)**

Mechanical Data

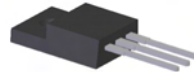
- Case: TO-220AB, ITO-220AB
- Case Material: Molded Plastic, UL Flammability Classification Rating 94V-0
- Terminals: Matte Tin Finish annealed over Copper leadframe. Solderable per MIL-STD-202, Method 208 ⁽³⁾
- Weight: TO-220AB – 1.85 grams (approximate)
ITO-220AB – 1.65 grams (approximate)



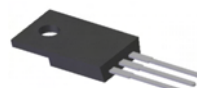
TO-220AB
Top View



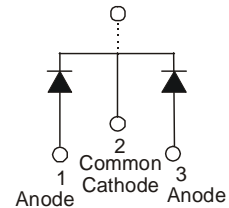
TO-220AB
Bottom View



ITO-220AB
Top View



ITO-220AB
Bottom View



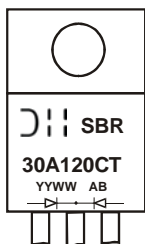
Package Pin Out
Configuration

Ordering Information (Notes 4 and 5)

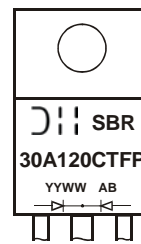
| | Part Number | Case | Packaging |
|--|--------------------|-----------------------|----------------|
| | SBR30A120CT | TO-220AB | 50 pieces/tube |
| | SBR30A120CT-G | TO-220AB | 50 pieces/tube |
| | SBR30A120CTFP | ITO-220AB | 50 pieces/tube |
| | SBR30A120CTFP-G | ITO-220AB | 50 pieces/tube |
| | SBR30A120CTFP-JT | ITO-220AB (Alternate) | 50 pieces/tube |
| | SBR30A120CTFP-JT-G | ITO-220AB (Alternate) | 50 pieces/tube |

- Notes:
1. EU Directive 2002/95/EC (RoHS) & 2011/65/EU (RoHS 2) compliant. All applicable RoHS exemptions applied.
 2. See <http://www.diodes.com> for more information about Diodes Incorporated's definitions of Halogen- and Antimony-free, "Green" and Lead-free.
 3. Halogen- and Antimony-free "Green" products are defined as those which contain <900ppm bromine, <900ppm chlorine (<1500ppm total Br + Cl) and <1000ppm antimony compounds.
 4. For Green Molding Compound version part numbers, add "-G" suffix to part number above. Examples: SBR30A120CT-G.
 5. For packaging details, go to our website at <http://www.diodes.com>.

Marking Information



SBR30A120CT = Product Type Marking Code
 AB = Foundry and Assembly Code
 YYWW = Date Code Marking
 YY = Last two digits of year (ex: 07 = 2007)
 WW = Week (01 - 53)



SBR30A120CTFP = Product Type Marking Code
 AB = Foundry and Assembly Code
 YYWW = Date Code Marking
 YY = Last two digits of year (ex: 07 = 2007)
 WW = Week (01 - 53)

Maximum Ratings (Per Leg) (@T_A = +25°C, unless otherwise specified.)

Single phase, half wave, 60Hz, resistive or inductive load.
 For capacitance load, derate current by 20%.

| Characteristic | Symbol | Value | Unit |
|---|------------------|-------|------|
| Peak Repetitive Reverse Voltage | V _{RRM} | 120 | V |
| Working Peak Reverse Voltage | V _{RWM} | | |
| DC Blocking Voltage | V _{RM} | | |
| Average Rectified Output Current Per Device | I _O | 15 | A |
| (Per Leg) (Total) | | 30 | |
| Non-Repetitive Peak Forward Surge Current 8.3ms Single Half Sine-Wave Superimposed on Rated Load | I _{FSM} | 250 | A |
| Peak Repetitive Reverse Surge Current (2μS - 1KHz) | I _{RRM} | 3 | A |
| Isolation Voltage (ITO-220AB Only) From terminal to heatsink t = 3 sec. | V _{AC} | 2000 | V |

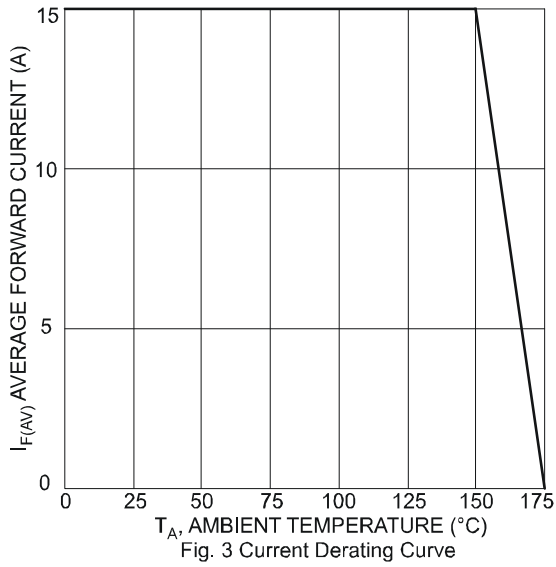
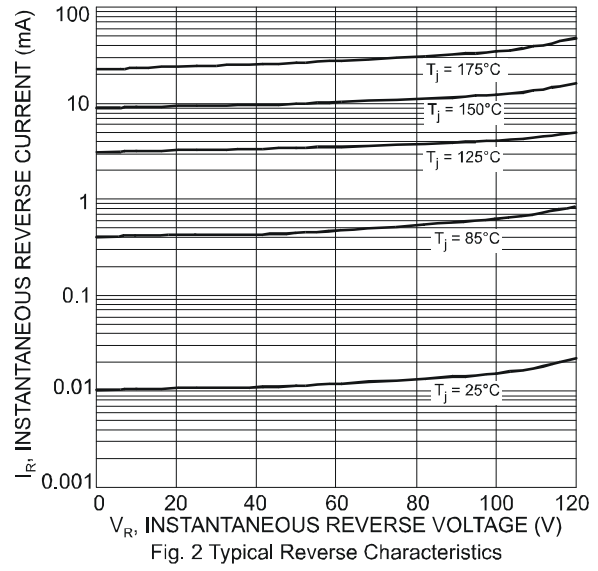
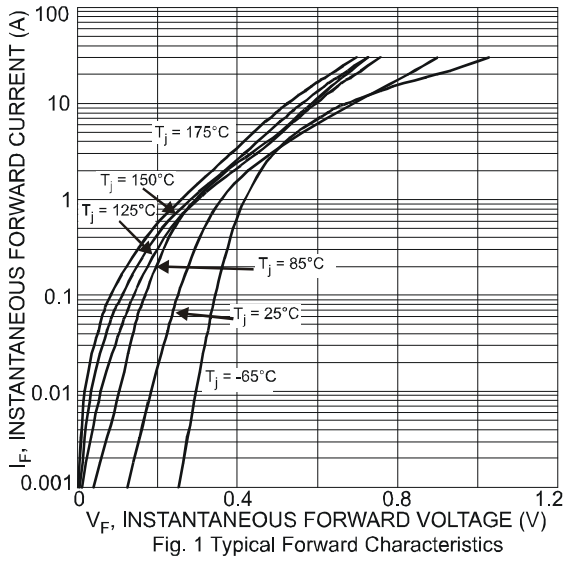
Thermal Characteristics (Per Leg)

| Characteristic | Symbol | Value | Unit |
|---|-----------------------------------|-------------|------|
| Typical Thermal Resistance Package = TO-220AB Package = ITO-220AB | R _{θJC} | 2 | °C/W |
| | | 4 | |
| Operating and Storage Temperature Range | T _J , T _{STG} | -65 to +175 | °C |

Electrical Characteristics (Per Leg) (@T_A = +25°C, unless otherwise specified.)

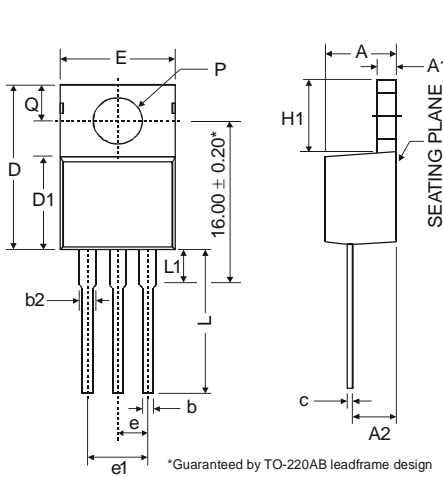
| Characteristic | Symbol | Min | Typ | Max | Unit | Test Condition |
|--------------------------|----------------|-----|------|------|----------|--|
| Forward Voltage Drop | V _F | - | 0.78 | 0.83 | V | I _F = 15A, T _J = +25°C |
| | | | 0.65 | 0.68 | | I _F = 15A, T _J = +125°C |
| | | | 0.90 | 0.95 | | I _F = 30A, T _J = +25°C |
| Leakage Current (Note 6) | I _R | - | 22 | 100 | μA mA | V _R = 120V, T _J = +25°C |
| | | | 5 | 20 | | V _R = 120V, T _J = +125°C |

Notes: 6. Short duration pulse test used to minimize self-heating effect.

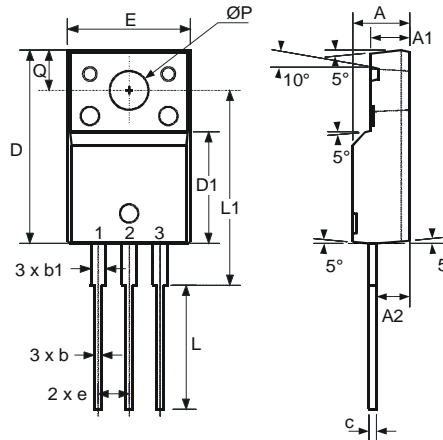


Package Outline Dimensions

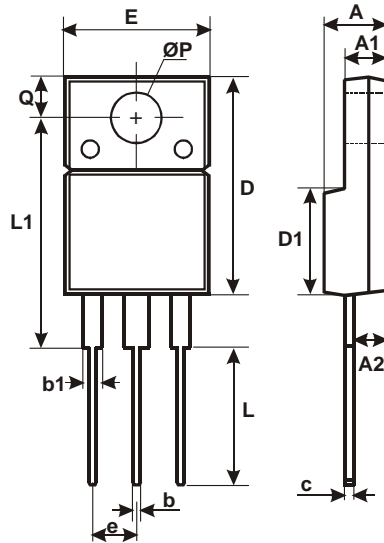
Please see AP02002 at <http://www.diodes.com/datasheets/ap02002.pdf> for latest version.



| TO-220AB | | | |
|-----------------------------|-------|------|-------|
| Dim | Min | Typ | Max |
| A | 3.56 | - | 4.82 |
| A1 | 0.51 | - | 1.39 |
| A2 | 2.04 | - | 2.92 |
| b | 0.39 | 0.81 | 1.01 |
| b2 | 1.15 | 1.24 | 1.77 |
| c | 0.356 | - | 0.61 |
| D | 14.22 | - | 16.51 |
| D1 | 8.39 | - | 9.01 |
| e | 2.54 | | |
| e1 | 5.08 | | |
| E | 9.66 | - | 10.66 |
| H1 | 5.85 | - | 6.85 |
| L | 12.70 | - | 14.73 |
| L1 | - | - | 6.35 |
| P | 3.54 | - | 4.08 |
| Q | 2.54 | - | 3.42 |
| All Dimensions in mm | | | |



| ITO-220AB (Note 8) | | | |
|-----------------------------|-------|-------|-------|
| Dim | Min | Typ | Max |
| A | 4.50 | 4.70 | 4.90 |
| A1 | 3.04 | 3.24 | 3.44 |
| A2 | 2.56 | 2.76 | 2.96 |
| b | 0.50 | 0.60 | 0.75 |
| b1 | 1.10 | 1.20 | 1.35 |
| c | 0.50 | 0.60 | 0.70 |
| D | 15.67 | 15.87 | 16.07 |
| D1 | 8.99 | 9.19 | 9.39 |
| e | 2.54 | | |
| E | 9.91 | 10.11 | 10.31 |
| L | 9.45 | 9.75 | 10.05 |
| L1 | 15.80 | 16.00 | 16.20 |
| P | 2.98 | 3.18 | 3.38 |
| Q | 3.10 | 3.30 | 3.50 |
| All Dimensions in mm | | | |



| ITO-220AB Alternate (Note 8) | | |
|------------------------------------|------|-------|
| Dim | Min | Max |
| A | 4.36 | 4.77 |
| A1 | 2.54 | 3.1 |
| A2 | 2.54 | 2.8 |
| b | 0.55 | 0.75 |
| b1 | 1.2 | 1.5 |
| c | 0.38 | 0.68 |
| D | 14.5 | 15.5 |
| D1 | 8.38 | 8.89 |
| E | 9.72 | 10.27 |
| e | 2.41 | 2.67 |
| L | 9.87 | 10.67 |
| L1 | 15.8 | 17 |
| ØP | 3.08 | 3.39 |
| Q | 2.6 | 3.0 |
| All Dimensions in mm | | |

Notes: 8. For product manufactured with Date Code 0733 (week 33, 2007) and newer, please refer to ITO-220AB dimensions. For product manufactured prior to Date Code 0733, please refer to ITO-220AB ALTERNATE dimensions.

IMPORTANT NOTICE

DIODES INCORPORATED MAKES NO WARRANTY OF ANY KIND, EXPRESS OR IMPLIED, WITH REGARDS TO THIS DOCUMENT, INCLUDING, BUT NOT LIMITED TO, THE IMPLIED WARRANTIES OF MERCHANTABILITY AND FITNESS FOR A PARTICULAR PURPOSE (AND THEIR EQUIVALENTS UNDER THE LAWS OF ANY JURISDICTION).

Diodes Incorporated and its subsidiaries reserve the right to make modifications, enhancements, improvements, corrections or other changes without further notice to this document and any product described herein. Diodes Incorporated does not assume any liability arising out of the application or use of this document or any product described herein; neither does Diodes Incorporated convey any license under its patent or trademark rights, nor the rights of others. Any Customer or user of this document or products described herein in such applications shall assume all risks of such use and will agree to hold Diodes Incorporated and all the companies whose products are represented on Diodes Incorporated website, harmless against all damages.

Diodes Incorporated does not warrant or accept any liability whatsoever in respect of any products purchased through unauthorized sales channel. Should Customers purchase or use Diodes Incorporated products for any unintended or unauthorized application, Customers shall indemnify and hold Diodes Incorporated and its representatives harmless against all claims, damages, expenses, and attorney fees arising out of, directly or indirectly, any claim of personal injury or death associated with such unintended or unauthorized application.

Products described herein may be covered by one or more United States, international or foreign patents pending. Product names and markings noted herein may also be covered by one or more United States, international or foreign trademarks.

LIFE SUPPORT

Diodes Incorporated products are specifically not authorized for use as critical components in life support devices or systems without the express written approval of the Chief Executive Officer of Diodes Incorporated. As used herein:

A. Life support devices or systems are devices or systems which:

1. are intended to implant into the body, or
2. support or sustain life and whose failure to perform when properly used in accordance with instructions for use provided in the labeling can be reasonably expected to result in significant injury to the user.

B. A critical component is any component in a life support device or system whose failure to perform can be reasonably expected to cause the failure of the life support device or to affect its safety or effectiveness.

Customers represent that they have all necessary expertise in the safety and regulatory ramifications of their life support devices or systems, and acknowledge and agree that they are solely responsible for all legal, regulatory and safety-related requirements concerning their products and any use of Diodes Incorporated products in such safety-critical, life support devices or systems, notwithstanding any devices- or systems-related information or support that may be provided by Diodes Incorporated. Further, Customers must fully indemnify Diodes Incorporated and its representatives against any damages arising out of the use of Diodes Incorporated products in such safety-critical, life support devices or systems.

Copyright © 2012, Diodes Incorporated

www.diodes.com