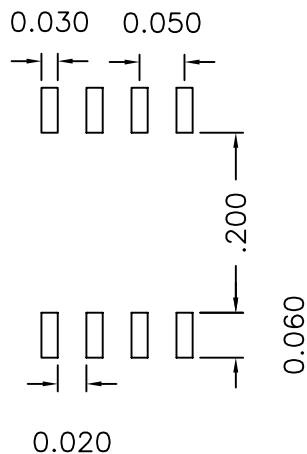
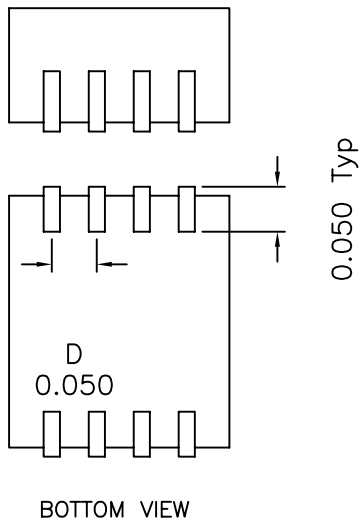
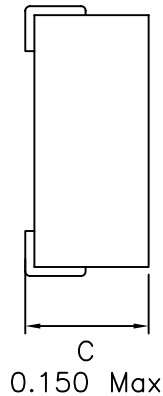
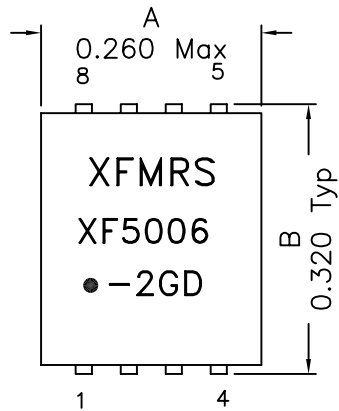
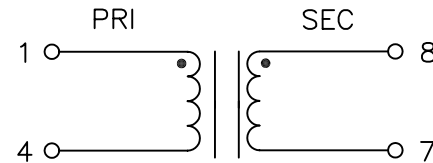


### 1. Mechanical Dimensions:



Mounting Pattern

### 2. Schematic:



### 3. Electrical Specifications: @25°C

OCL: Pins 1-4 500uH Min @10KHz, 0.1V  
 LL: Pins 1-4 17uH Max @100KHz, 0.1V Short Secs  
 DCR: Pins 1-4 0.80 Ohms Max  
 DCR: Pins 8-7 0.80 Ohms Max  
 Turns Ratio: Pins 1-4:8-7 = 1:1  
 Isolation Voltage: 1500Vdc Wdg. to Wdg.  
 Volt-uS: 9.3 Max

Notes:

1. Solderability: Leads shall meet MIL-STD-202G, Method 208H for solderability.
2. Flammability: UL94V-0
3. ASTM oxygen index: > 28%
4. Insulation System: Class F 155°C. UL file E151556
5. Operating Temperature Range: All listed parameters are to be within tolerance from -40°C to +85°C
6. Storage Temperature Range: -55°C to +125°C
7. Aqueous wash compatible
8. SMD Lead Coplanarity: ±0.004"(0.102mm)
9. Electrical and mechanical specifications 100% tested
10. RoHS Compliant Component

DOC. REV A/1

**PROPRIETARY**

Document is the property of XFMRS Group & is not allowed to be duplicated without authorization.

<b>XFMRS Inc.</b> www.XFMRS.com		Title: Gate Drive XFMR	
UNLESS OTHERWISE SPECIFIED TOLERANCES: .xxx ±0.010 Dimensions in INCH		P/N: XF5006-2GD	REV. A
	DWN.	廖玉坤	Feb-13-09
	CHK.	李清儿	Feb-13-09
SHEET 1 OF 1	APP.	BW	Feb-13-09