

Kingtronics®

GKT-VC

Aluminum Electrolytic Capacitor– SMD

FEATURES

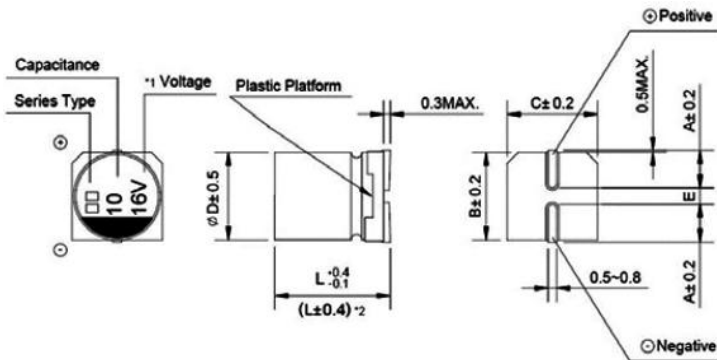
- ◆ Low leakage current (0.5~3.3µA Max.)
- ◆ Low cost for replacement of some tantalum applications
- ◆ Comply with the RoHS directive



SPECIFICATIONS

OPERATING TEMPERATURE	-40°C ~ +85°C						
Voltage Range	6.3V ~ 50V.DC						
Capacitance Range	0.1 ~ 200µF						
Capacitance Tolerance	±20% at 120Hz, 20°C						
Leakage Current	Leakage current ≤ 0.002CV or 0.5µA, whichever is greater (After 2 minutes' application of rated voltage)						
Dissipation Factor (Tan δ)	Measurement Frequency: 120Hz, Temperature: 20°C						
	Rated Voltage (V)	6.3	10	16	25	35	50
	Surge Voltage (V)	8.0	13	20	32	44	63
	Tan δ (Max.)	0.24	0.20	0.16	0.14	0.12	0.1
Stability At Low Temp.	Measurement Frequency: 120Hz						
	Rated Voltage (V)		6.3	10	16,25	35,50	
	Impedance Ratio	Z (-25°C) / Z(20°C)	4	3	2	2	
	ZT / Z20 (Max.)	Z (-40°C) / Z(20°C)	8	6	4	3	
Load Life	After 2000 hours application of rated voltage at 85°C, capacitors meet the characteristics requirements listed below.						
	Capacitance Change	Within ± 25% of initial value					
	Dissipation Factor	200% or less of initial specified value					
	Leakage Current	Initial specified value or less					
Resistance to Soldering Heat	After reflow soldering and restored at room temperature, they meet the characteristics listed below.						
	Capacitance Change	Within ± 10% of initial value					
	Dissipation Factor	Initial specified value or less					
	Leakage Current	Initial specified value or less					

DRAWING (Unit: mm)



*1 Voltage mark for 6.3V is [6V]

2 Applicable to Φ6.3

ΦDxL	4x5.4	5x5.4	6.3x5.4	6.3x7.7
A	2.0	2.2	2.6	2.6
B	4.3	5.3	6.6	6.6
C	4.3	5.3	6.6	6.6
E±0.2	1.0	1.4	1.9	1.9
L	5.4	5.4	5.4	7.7

Please visit our website to get more update data, those data & specification are subject to change without notice.

Kingtronics® International Company

Website: www.kingtronics.com Email: info@kingtronics.com Tel: (852) 8106 7033 Fax: (852) 8106 7099

Kingtronics®**GKT-VC**

Aluminum Electrolytic Capacitor— SMD

FREQUENCY COEFFICIENT OF ALLOWABLE RIPPLE CURRENT

Frequency	~50Hz	120Hz	300Hz	1KHz	10KHz~
Coefficient	0.7	1.0	1.17	1.36	1.50

DIMENSIONS & MAXIMUM PERMISSIBLE RIPPLE CURRENT&ESR

WV		6.3(0J)			10(1A)			16(1C)		
uF	Parameter	Case Size ØDxL (mm)	E.S.R. (Ω) 20 °C 120Hz	Ripple current (mA rms) at 85°C 120Hz	Case Size ØDxL (mm)	E.S.R. (Ω) 20°C 120Hz	Ripple current (mA rms) at 85°C 120Hz	Case Size ØDxL (mm)	E.S.R. (Ω) 20°C 120Hz	Ripple current (mA rms) at 85 °C 120Hz
		10	100							4x5.4
22	220	4x5.4	23.5	31	5x5.4	19.6	35	5x5.4	15.7	39
33	330	5x5.4	15.7	39	5x5.4	13.1	43	6.3x5.4	10.5	57
47	470	5x5.4	11.0	47	6.3x5.4	9.2	59	6.3x5.4	7.3	68
100	101	6.3x5.4	5.2	75	6.3x5.4	4.3	76	6.3x7.7	3.5	96
220	221	6.3x7.7	2.4	85						

DIMENSIONS & MAXIMUM PERMISSIBLE RIPPLE CURRENT&ESR

WV		25(1E)			35(1V)			50(1H)		
uF	Parameter	Case Size ØDxL (mm)	E.S.R. (Ω) 20°C 120Hz,	Ripple current (mA rms) at 85°C 120Hz	Case Size ØDxL (mm)	E.S.R. (Ω) 20°C 120Hz,	Ripple current (mA rms) at 85°C 120Hz	Case Size ØDxL (mm)	E.S.R. (Ω) 20°C 120Hz,	Ripple current (mA rms) at 85°C 120Hz
		0.1	0R1							4x5.4
0.22	R22							4x5.4	980	2.3
0.33	R33							4x5.4	653	3.5
0.47	R47							4x5.4	459	5
1	010							4x5.4	216	10
2.2	2R2							4x5.4	98	15
3.3	3R3							4x5.4	65	18
4.7	4R7	4x5.4	64.2	19	4x5.4	55.1	20	5x5.4	46	23
10	100	5x5.4	30.2	28	5x5.4	25.9	30	6.3x5.4	22	34
22	220	6.3x5.4	13.7	52	6.3x5.4	11.8	54	6.3x7.7	9.8	85
33	330	6.3x5.4	9.1	63	6.3x7.7	7.8	105			
47	470	6.3x7.7	6.4	100	6.3x7.7	5.5	110			

Please visit our website to get more update data, those data & specification are subject to change without notice.

Kingtronics® International CompanyWebsite: www.kingtronics.comEmail: info@kingtronics.com

Tel: (852) 8106 7033

Fax: (852) 8106 7099

Kingtronics®

GKT-VC

Aluminum Electrolytic Capacitor– SMD

HOW TO ORDER

<u>GKT</u>	<u>VK</u>	<u>0J</u>	<u>M</u>	<u>220</u>	<u>040054</u>	<u>T</u>	<u>R</u>
Series	Sub Series	Voltage	Capacitance Tolerance	Capacitance	Case Size	Packing	Pb
		1.	2.	3.	4.	5.	6.

NOTE:

1. Rated Voltage

Code	0G	0J	1A	1C	1E	1V	1H	1J	2A
Voltage	4	6.3	10	16	25	35	50	63	100

2. Capacitance Tolerance

Code	K	M	Q	T
Tolerance	±10%	±20%	+30-10%	+50-10%

3. Capacitance

Code	0R1	R47	010	4R7	100	470	101	471	102	472	103
Capacitance (µF)	0.1	0.47	1	4.7	10	47	100	470	1000	4700	10000

4. Case Size

Code	040054	050054	063054	080105	100105	125135	160215
Case Size (mm)	4x5.4	5x5.4	6.3x5.4	8x10.5	10x10.5	12.5x13.5	16x21.5

5. Packing

Code	T
Packing	Tape & Reel

6. Pb

Code	R
Pb	RoHS

Note: Specifications are subject to change without notice.

Kingtronics® International Company

Website: www.kingtronics.com Email: info@kingtronics.com Tel: (852) 8106 7033 Fax: (852) 8106 7099