

MATERIAL (RoHS COMPLIANT)

CAGE:
COPPER ALLOY

PLATING: (SEE PART NUMBER FOR OPTION)
OPTION 1: 2.54 μm MIN. BRIGHT TIN PLATING
OVER 1.27 μm MIN. NICKEL UNDER PLATING.
(BRIGHT TIN SOLDER TEMPERATURE 230°C MAX.)

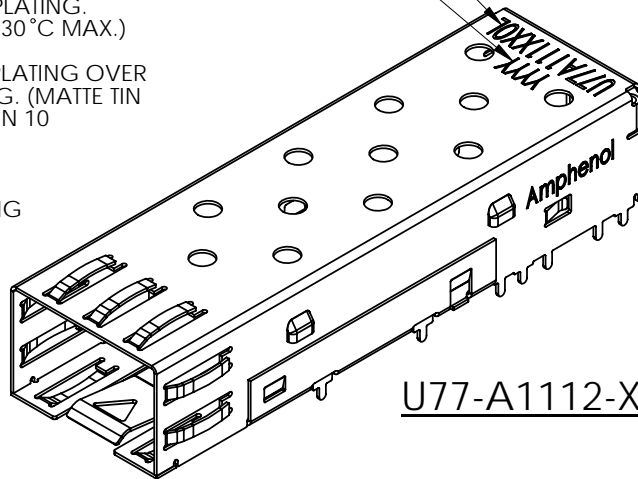
OPTION 3: 2.54 μm MIN. MATTE TIN PLATING OVER
1.27 μm MIN. NICKEL UNDER PLATING. (MATTE TIN
SOLDER TEMPERATURE 245°C MAX. IN 10
SECONDS OF PEAK TIME)

PACKAGING:
TAPE AND REEL OR TRAY PACKAGING

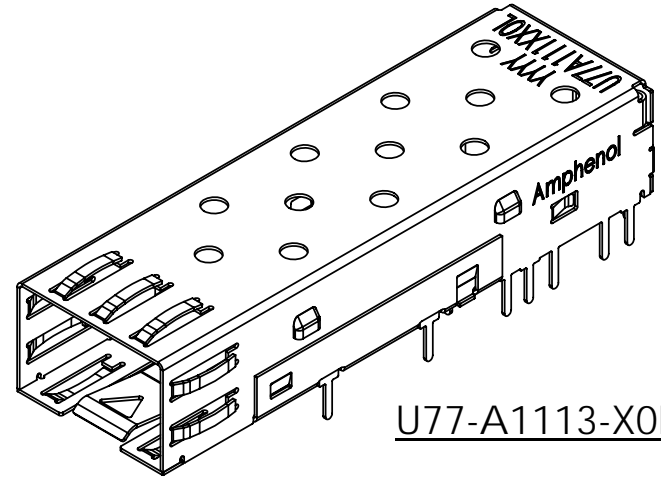
TEMPERATURE RANGE:
-40°C TO +85°C.

PART NUMBER
(P/N DOES NOT INCLUDE
PACKAGING TYPE)

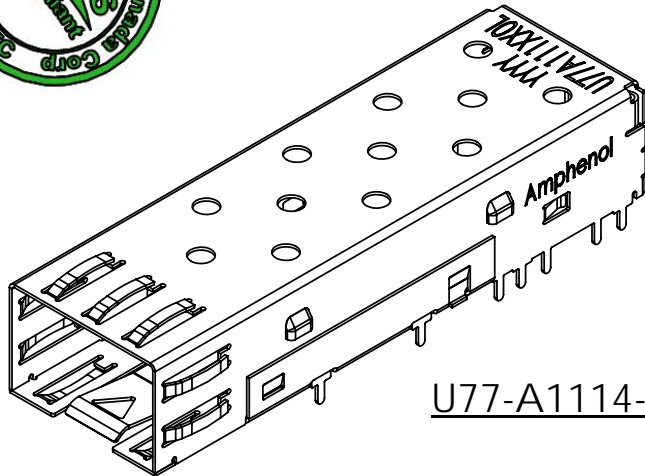
DATE CODE



U77-A1112-X0LX



U77-A1113-X0LX



U77-A1114-X0LX

AMPHENOL PART NUMBER CONFIGURATION

U 7 7 - A 1 1 1 X - X 0 L X

SOLDER TAIL HEIGHT:
2 = 1.2 mm (20 SOLDER PINS)
3 = 3.2 mm (20 SOLDER PINS)
4 = 1.8 mm (20 SOLDER PINS)

CAGE PLATING:
1 = BRIGHT TIN PLATING
3 = MATTE TIN PLATING

PACKAGING:
T = TRAY PACKAGING
T = TAPE & REEL PACKAGING
(STANDARD CAGE ORIENTATION)
R = TAPE & REEL PACKAGING
(REVERSED CAGE ORIENTATION)

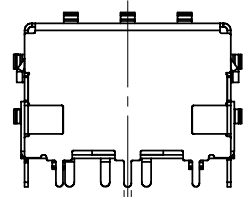
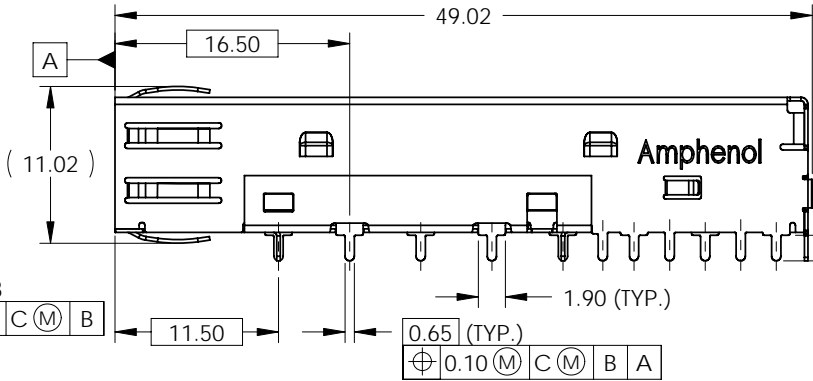
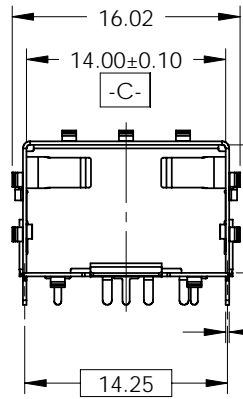
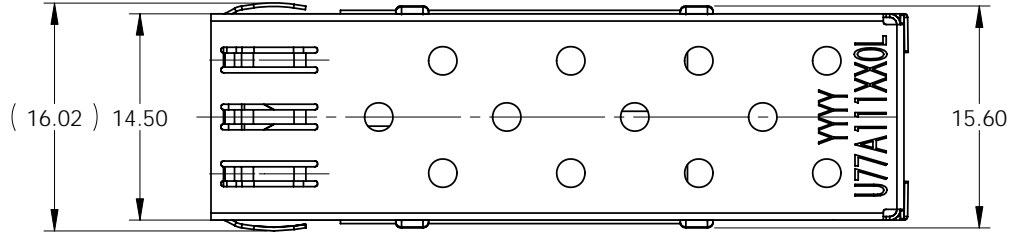
DO NOT SCALE DRAWING

THIS DOCUMENT CONTAINS PROPRIETARY INFORMATION AND SUCH INFORMATION MAY NOT BE DISCLOSED TO OTHERS FOR ANY PURPOSE OR USED FOR MANUFACTURING PURPOSES WITHOUT PERMISSION FROM AMPHENOL CANADA CORP.

REVISIONS				
REV.	ECN	DESCRIPTION	DATE	APPROVED
A		PROPOSAL	FEB14/11	

UNLESS OTHERWISE SPECIFIED DIMENSIONS ARE IN MILLIMETERS TOLERANCES ARE:		APPROVALS		DATE	Amphenol Canada Corp.	
DECIMALS	ANGLES	DRAWN	A.CHAN	FEB14/11		
X.X ± 0.25	± 1°	DESIGNED	J.SI	FEB14/11	TITLE SFP SINGLE CAGE WITH SOLDER PINS	
X.XX ± 0.15		CHECKED	X	X		
MATERIAL AND FINISH N/A		QA APPD	X	X	SIZE A4 DWG. NO. P-U77-A111X-X0LX REV. A	
REF.	X	IE APPD	X	X		
CODE IDENT. NO.	03554	DWG APPD			SCALE	2:1 PROJECT SHEET 1 OF 4

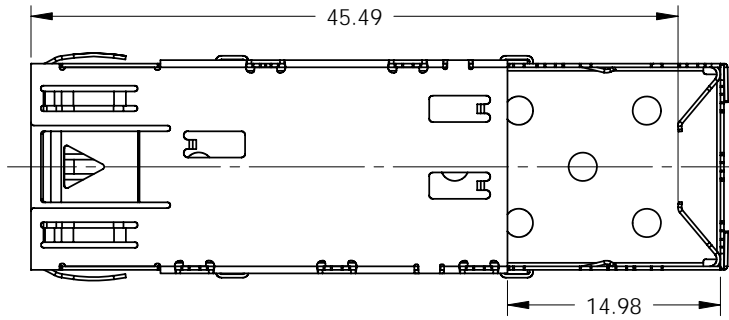
REVISIONS				
REV.	ECN	DESCRIPTION	DATE	APPROVED
A		PROPOSAL	FEB14/11	



L-TAIL HEIGHT
(SEE TABLE)

TABLE

PART NUMBER	SOLDER TAIL HEIGHT (mm)
U77-A1112-X0LX	1.20
U77-A1113-X0LX	3.20
U77-A1114-X0LX	1.80



UNLESS OTHERWISE SPECIFIED DIMENSIONS ARE IN MILLIMETERS TOLERANCES ARE:

DECIMALS	ANGLES
X.X ± 0.25	± 1°
X.XX ± 0.15	

MATERIAL AND FINISH: N/A

REF: X

CODE IDENT. NO. 03554

APPROVALS		DATE
DRAWN	A.CHAN	FEB14/11
DESIGNED	J.SI	FEB14/11
CHECKED	X	X
QA APPD	X	X
IE APPD	X	X
DWG APPD		

Amphenol Canada Corp.

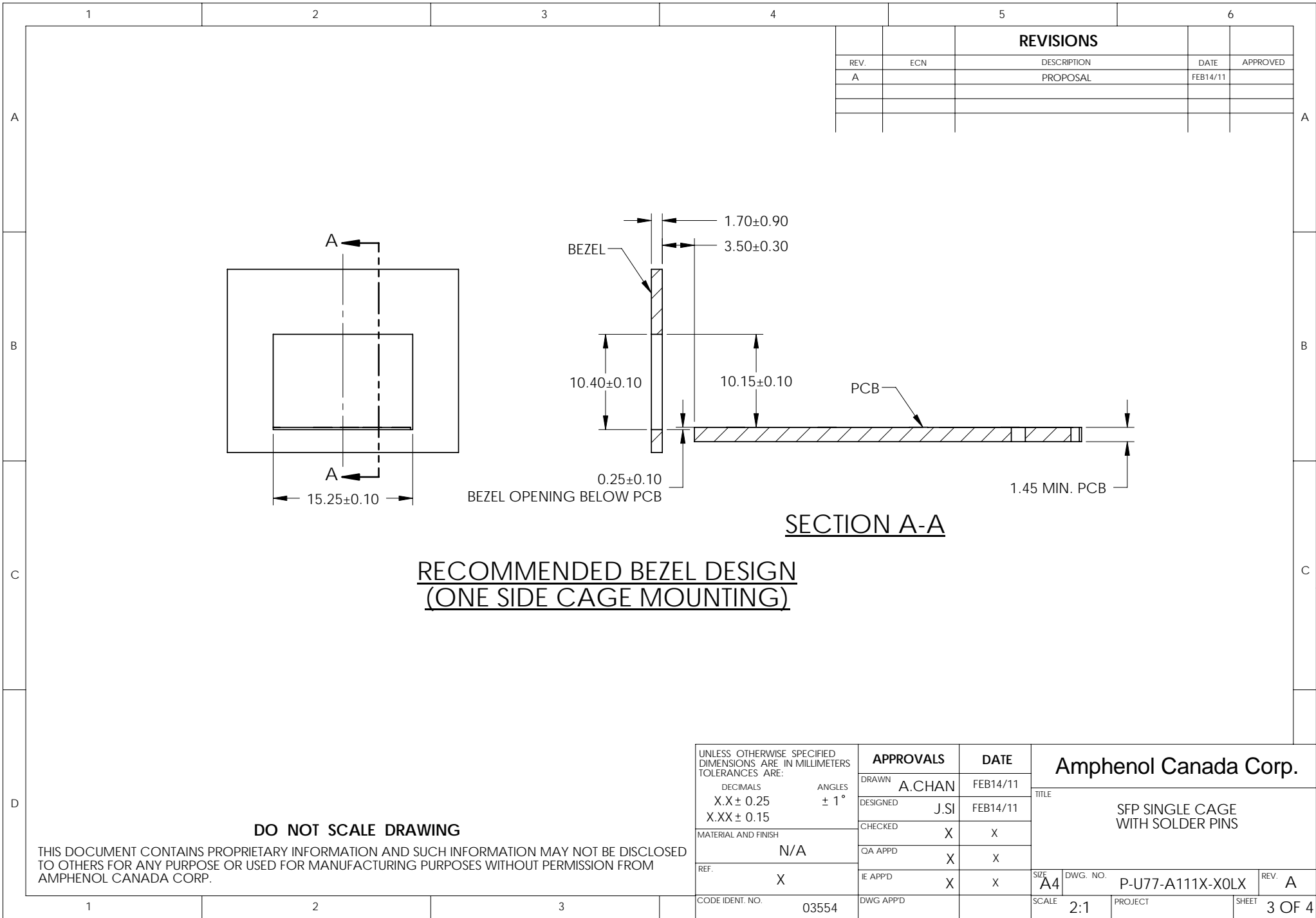
TITLE: SFP SINGLE CAGE WITH SOLDER PINS

SIZE: A4 DWG. NO.: P-U77-A111X-X0LX REV: A

SCALE: 2:1 PROJECT SHEET: 2 OF 4

DO NOT SCALE DRAWING

THIS DOCUMENT CONTAINS PROPRIETARY INFORMATION AND SUCH INFORMATION MAY NOT BE DISCLOSED TO OTHERS FOR ANY PURPOSE OR USED FOR MANUFACTURING PURPOSES WITHOUT PERMISSION FROM AMPHENOL CANADA CORP.



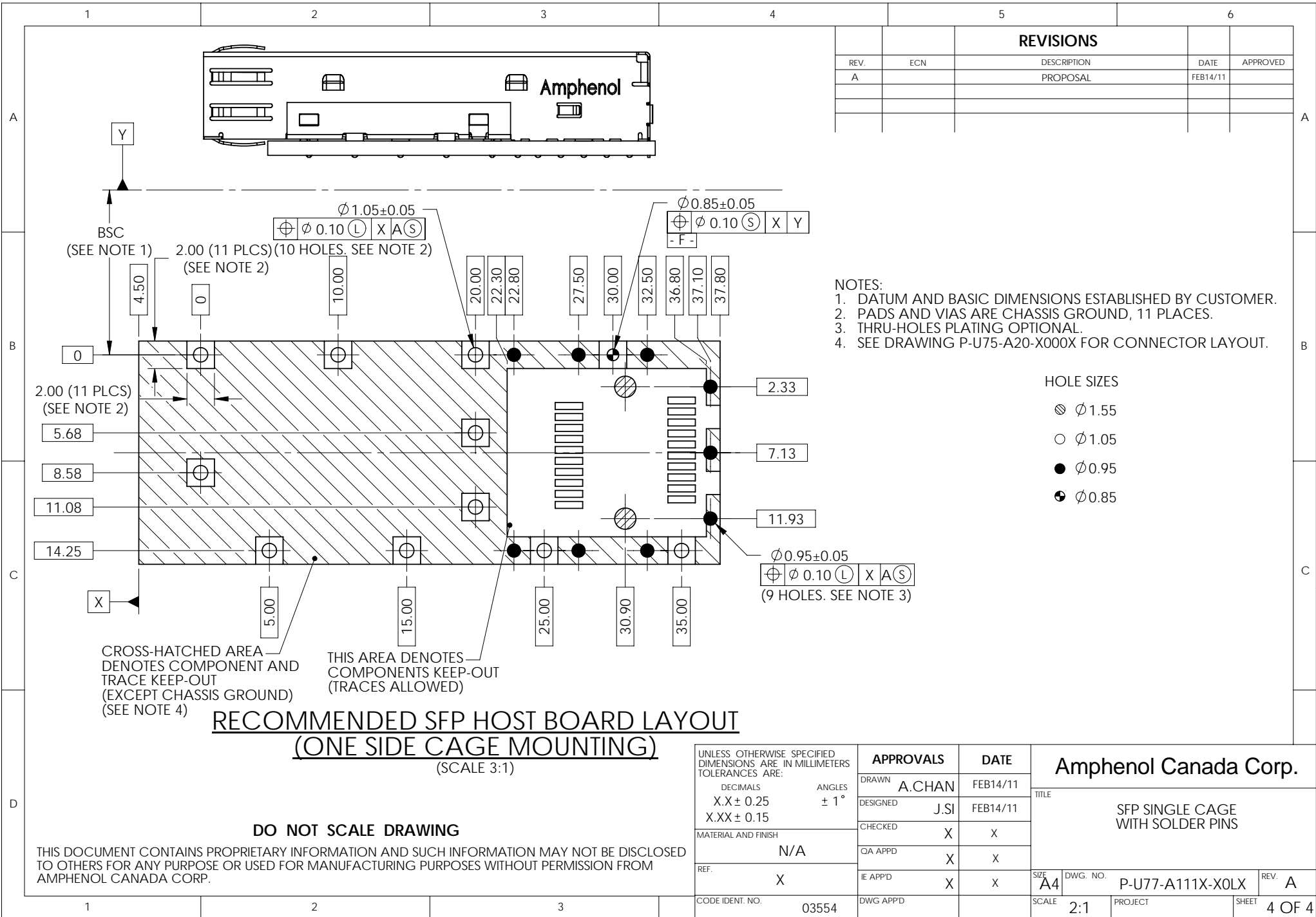
REVISIONS				
REV.	ECN	DESCRIPTION	DATE	APPROVED
A		PROPOSAL	FEB14/11	

SECTION A-A
RECOMMENDED BEZEL DESIGN
(ONE SIDE CAGE MOUNTING)

DO NOT SCALE DRAWING

THIS DOCUMENT CONTAINS PROPRIETARY INFORMATION AND SUCH INFORMATION MAY NOT BE DISCLOSED TO OTHERS FOR ANY PURPOSE OR USED FOR MANUFACTURING PURPOSES WITHOUT PERMISSION FROM AMPHENOL CANADA CORP.

UNLESS OTHERWISE SPECIFIED DIMENSIONS ARE IN MILLIMETERS TOLERANCES ARE:		APPROVALS		DATE	Amphenol Canada Corp.	
DECIMALS	ANGLES	DRAWN	A.CHAN	FEB14/11		
X.X ± 0.25	± 1°	DESIGNED	J.SI	FEB14/11	TITLE SFP SINGLE CAGE WITH SOLDER PINS	
X.XX ± 0.15		CHECKED	X	X		
MATERIAL AND FINISH	N/A	QA APP'D	X	X		
REF.	X	IE APP'D	X	X	SIZE A4	DWG. NO. P-U77-A111X-XOLX
CODE IDENT. NO.	03554	DWG APP'D			SCALE 2:1	PROJECT
						SHEET 3 OF 4



UNLESS OTHERWISE SPECIFIED DIMENSIONS ARE IN MILLIMETERS TOLERANCES ARE: DECIMALS X.X ± 0.25 X.XX ± 0.15 MATERIAL AND FINISH N/A REF. X CODE IDENT. NO. 03554	APPROVALS		DATE
	DRAWN A.CHAN	FEB14/11	
	DESIGNED J.SI	FEB14/11	
	CHECKED X	X	
	QA APPD X	X	
	IE APPD X	X	
	DWG APPD		

Amphenol Canada Corp.			
TITLE SFP SINGLE CAGE WITH SOLDER PINS			
SIZE A4	DWG. NO. P-U77-A111X-XOLX	REV. A	
SCALE 2:1	PROJECT	SHEET 4 OF 4	