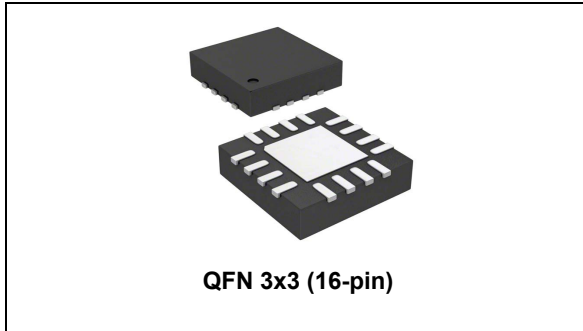

Low voltage triple half-bridge motor driver for BLDC motors

Datasheet - production data

**Description**

The STSPIN230 device integrates a triple half-bridge low $R_{DS(ON)}$ power stage in a small QFN - 3 x 3 mm package.

The device is designed to operate in battery-powered scenarios and can be forced into a zero-consumption state, allowing a significant increase in battery life.

The device offers a complete set of protection including overcurrent, overtemperature and short-circuit protection.

Features

- Operating voltage from 1.8 to 10 V
- Maximum output current 1.3 A_{rms}
- $R_{DS(ON)}$ HS + LS = 0.4 Ω typ.
- Full protection set
 - Non-dissipative overcurrent protection
 - Short-circuit protection
 - Thermal shutdown
 - Interlocking function
- Energy saving and long battery life with standby consumption less than 80 nA

Applications

- Battery-powered 3-phase brushless (BLDC) motors in applications such as:
 - Toys
 - Robotics
 - Portable medical equipment

Contents

1	Block diagram	5
2	Electrical data	6
2.1	Absolute maximum ratings	6
2.2	Recommended operating conditions	6
2.3	Thermal data	6
2.4	ESD protection ratings	7
3	Electrical characteristics	8
4	Pin description	10
5	Typical applications	12
6	Functional description	13
6.1	Standby and power-up	13
6.2	Motor driving	13
6.3	Overcurrent and short-circuit protection	14
6.4	Thermal shutdown	16
7	Graphs	17
8	Package information	19
8.1	VFQFPN 3x3x1.0 16L package information	19
9	Ordering information	21
10	Revision history	21

List of tables

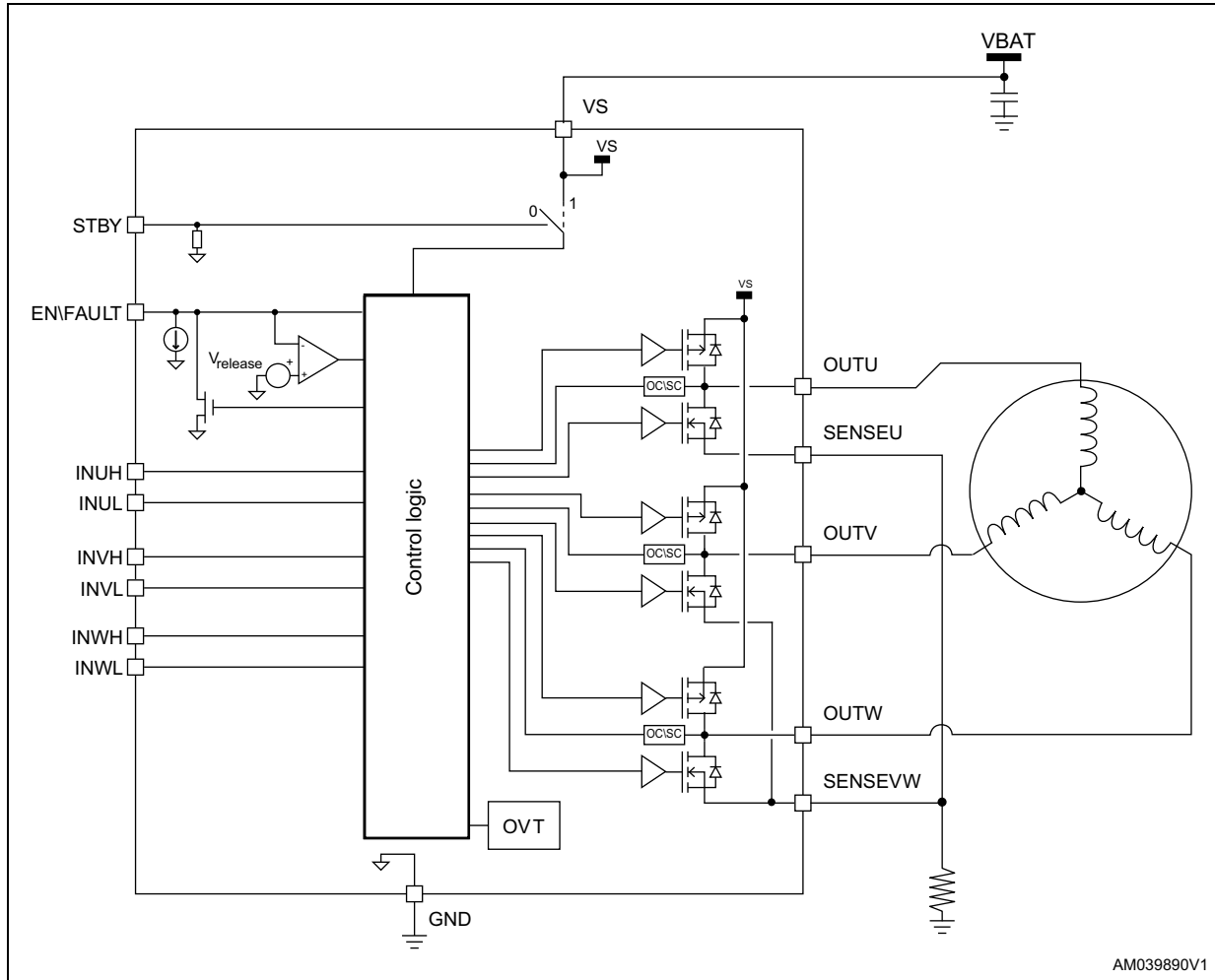
Table 1.	Absolute maximum ratings	6
Table 2.	Recommended operating conditions	6
Table 3.	Thermal data	6
Table 4.	ESD protection ratings	7
Table 5.	Electrical characteristics	8
Table 6.	Pin description	10
Table 7.	Typical application values	12
Table 8.	INxH and INxL	13
Table 9.	VFQFPN 3x3x1.0 16L package mechanical data	20
Table 10.	Device summary	21
Table 11.	Document revision history	21

List of figures

Figure 1.	Block diagram	5
Figure 2.	Pin connection (top view)	10
Figure 3.	Typical application schematic	12
Figure 4.	Overcurrent and short-circuit protections management	14
Figure 5.	Disable time versus R_{EN} and C_{EN} values ($V_{DD} = 3.3\text{ V}$)	15
Figure 6.	Disable time versus R_{EN} and C_{EN} values ($V_{DD} = 1.8\text{ V}$)	15
Figure 7.	Thermal shutdown management	16
Figure 8.	Power stage resistance versus supply voltage	17
Figure 9.	Power stage resistance versus temperature	17
Figure 10.	Overcurrent threshold versus supply voltage	18
Figure 11.	VFQFPN 3x3x1.0 16L package outline	19
Figure 12.	VFQFPN 3x3x1.0 16L recommended footprint	20

1 Block diagram

Figure 1. Block diagram



AM039890V1

2 Electrical data

2.1 Absolute maximum ratings

Table 1. Absolute maximum ratings

Symbol	Parameter	Test condition	Value	Unit
V_S	Supply voltage		-0.3 to 11	V
V_{IN}	Logic input voltage		-0.3 to 5.5	V
$V_{OUT} - V_{SENSE}$	Output to sense voltage drop		up to 12	V
$V_S - V_{OUT}$	Supply to output voltage drop		up to 12	V
V_{SENSE}	Sense pins voltage		-1 to 1	V
$I_{OUT,RMS}$	Continuous power stage output current (each bridge)		1.3	A_{RMS}
$T_{j,OP}$	Operative junction temperature		-40 to 150	°C
$T_{j,STG}$	Storage junction temperature		-55 to 150	°C

2.2 Recommended operating conditions

Table 2. Recommended operating conditions

Symbol	Parameter	Test condition	Min.	Typ.	Max.	Unit
V_S	Supply voltage		1.8		10	V
V_{IN}	Logic input voltage		0		5	V
t_{INw}	Logic inputs positive/negative pulse width		300			ns

2.3 Thermal data

Table 3. Thermal data

Symbol	Parameter	Conditions	Value	Unit
R_{thJA}	Junction to ambient thermal resistance	Natural convection, according to JESD51-2a ⁽¹⁾	57.1	°C/W
$R_{thJCTop}$	Junction to case thermal resistance (top side)	Simulation with cold plate on package top	67.3	°C/W
$R_{thJCbot}$	Junction to case thermal resistance (bottom side)	Simulation with cold plate on exposed pad	9.1	°C/W
R_{thJB}	Junction to board thermal resistance	According to JESD51-8 ⁽¹⁾	23.3	°C/W
Ψ_{JT}	Junction to top characterization	According to JESD51-2a ⁽¹⁾	3.3	°C/W
Ψ_{JB}	Junction to board characterization	According to JESD51-2a ⁽¹⁾	22.6	°C/W

1. Simulated on a 21.2 x 21.2 mm board, 2s2p 1 Oz copper and four 300 μ m vias below exposed pad.

2.4 ESD protection ratings

Table 4. ESD protection ratings

Symbol	Parameter	Test condition	Class	Value	Unit
HBM	Human body model	Conforming to ANSI/ESDA/JEDEC JS-001-2014	2	2	kV
CDM	Charge device model	Conforming to ANSI/ESDA/JEDEC JS-002-2014	C2	750	V

3 Electrical characteristics

Testing conditions: $V_S = 5\text{ V}$, $T_j = 25\text{ °C}$ unless otherwise specified.

Table 5. Electrical characteristics

Symbol	Parameter	Test condition	Min.	Typ.	Max.	Unit
Supply						
$V_{Sth(ON)}$	V_S turn-on voltage	V_S rising from 0 V	1.45	1.65	1.79	V
$V_{Sth(OFF)}$	V_S turn-off voltage	V_S falling from 5 V	1.3	1.45	1.65	V
$V_{Sth(HYS)}$	V_S hysteresis voltage			180		mV
I_S	V_S supply current	No commutations, EN = 0		900	1300	μA
		No commutations, EN = 1		1500	1950	μA
$I_{S,STBY}$	V_S standby current	STBY = 0 V		10	80	nA
V_{STBYL}	Standby low logic level input voltage				0.9	V
V_{STBYH}	Standby high logic level input voltage		1.48			V
Power stage						
$R_{DS(ON)HS+LS}$	Total on resistance HS + LS	$V_S = 10\text{ V}$, $I_{OUT} = 1.3\text{ A}$		0.4	0.65	Ω
		$V_S = 10\text{ V}$, $I_{OUT} = 1.3\text{ A}$, $T_j = 125\text{ °C}^{(1)}$		0.53	0.87	
		$V_S = 3\text{ V}$, $I_{OUT} = 0.4\text{ A}$		0.53	0.8	
I_{DSS}	Leakage current	OUTx = V_S			1	μA
		OUTx = GND	-1			
V_{DF}	Freewheeling diode forward voltage	$I_D = 1.3\text{ A}$		0.9		V
t_{rise}	Rise time	$V_S = 10\text{ V}$; unloaded outputs		10		ns
t_{fall}	Fall time	$V_S = 10\text{ V}$; unloaded outputs		10		ns
t_{DT}	Integrated dead time			50		ns
Logic IOs						
V_{IH}	High logic level input voltage		1.6			V
V_{IL}	Low logic level input voltage				0.6	V
$V_{RELEASE}$	FAULT open drain release voltage				0.4	V
V_{OL}	EN low logic level output voltage	$I_{EN} = 4\text{ mA}$			0.4	V
R_{STBY}	STBY pull-down resistance			36		k Ω
I_{PDEN}	EN pull-down current			10.5		μA
t_{End}	EN input propagation delay	From EN falling edge to OUT high impedance		55		ns

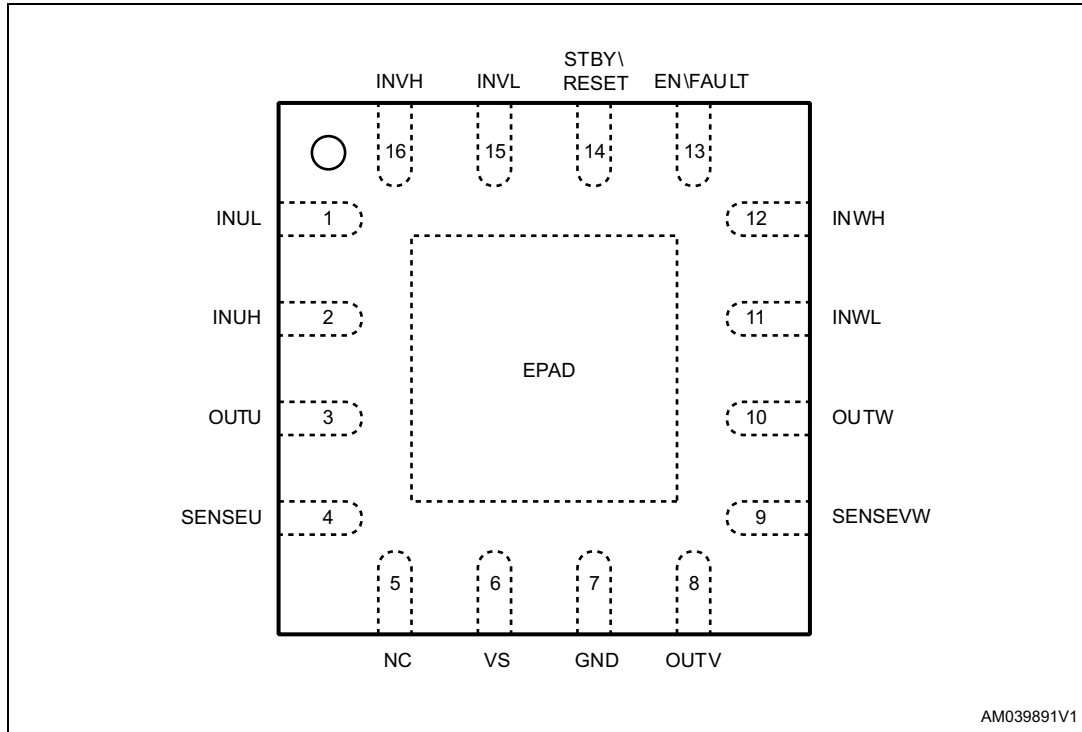
Table 5. Electrical characteristics (continued)

Symbol	Parameter	Test condition	Min.	Typ.	Max.	Unit
$t_{IN,d(ON)}$	Turn-on propagation delay	From INxH rising edge to 10% of OUTx		125		ns
$t_{IN,d(OFF)}$	Turn-off propagation delay	From INxL rising edge to 90% of OUTx		140		ns
Protections						
T_{jSD}	Thermal shutdown threshold			160		°C
$T_{jSD,Hyst}$	Thermal shutdown hysteresis			40		°C
I_{OC}	Overcurrent threshold	See Figure 10 on page 18 .		2		A

1. Based on characterization data on a limited number of samples, not tested during production.

4 Pin description

Figure 2. Pin connection (top view)



AM039891V1

1. The exposed pad must be connected to ground.

Table 6. Pin description

No.	Name	Type	Function
1	INUL	Logic input	Output U driving input (low side)
2	INUH	Logic input	Output U driving input (high side)
3	OUTU	Power output	Power bridge output U
5	NC		
6	VS	Supply	Device supply voltage
7, EPAD	GND	Ground	Device ground
8	OUTV	Power output	Power bridge output V
10	OUTW	Power output	Power bridge output W
11	INWL	Logic input	Output W driving input (low side)
12	INWH	Logic input	Output W driving input (high side)
13	EN\FAULT	Logic input\ open drain output	Logic input 5 V compliant with open drain output. This is the power stage enable (when low, the power stage is turned off) and is forced low through the integrated open-drain MOSFET when a failure occurs.

Table 6. Pin description (continued)

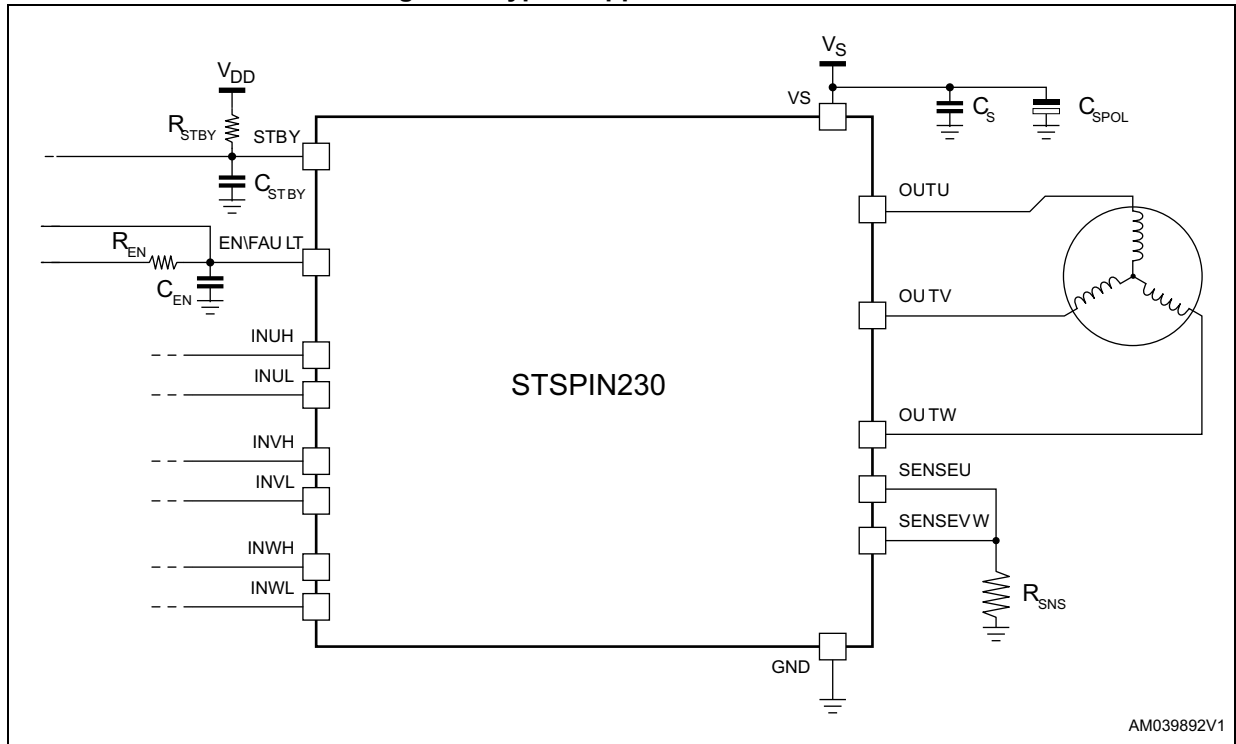
No.	Name	Type	Function
4	SENSEU	Power output	Sense output bridge U (must be connected to SENSEVW).
9	SENSEVW	Power output	Sense output bridge V and W (must be connected to SENSEU).
14	STBY\RESET	Logic input	Logic input 5 V compliant. When forced low, the device is forced into the low consumption mode.
15	INVL	Logic input	Output V driving input (low side).
16	INVH	Logic input	Output V driving input (high side).

5 Typical applications

Table 7. Typical application values

Name	Value
C_S	2.2 μF / 16 V
C_{SPOL}	22 μF / 16 V
R_{SNS}	330 m Ω / 1 W
C_{EN}	10 nF / 6.3 V
R_{EN}	18 k Ω
C_{STBY}	1 nF / 6.3 V
R_{STBY}	18 k Ω

Figure 3. Typical application schematic



6 Functional description

The STSPIN230 device is a protected triple half-bridge motor driver.

6.1 Standby and power-up

The device provides a low consumption mode which is set forcing the STBY\RESET input below the V_{STBYL} threshold.

When the device is in standby status the power stage is disabled (outputs are in high impedance) and the supply to the integrated control circuitry is cut off. When the device leaves the standby status, all the control circuitry is reset to power-up condition.

6.2 Motor driving

The outputs of the three half-bridges are directly driven through the logic inputs as listed in [Table 8](#).

Table 8. INxH and INxL

ENFAULT	INxH	INxL	'x' half-bridge condition
0	X	X	High impedance
1	0	0	High impedance
1	0	1	Low side MOSFET ON
1	1	0	High side MOSFET ON
1	1	1	High impedance (interlocking)

Figure 5. Disable time versus R_{EN} and C_{EN} values ($V_{DD} = 3.3\text{ V}$)

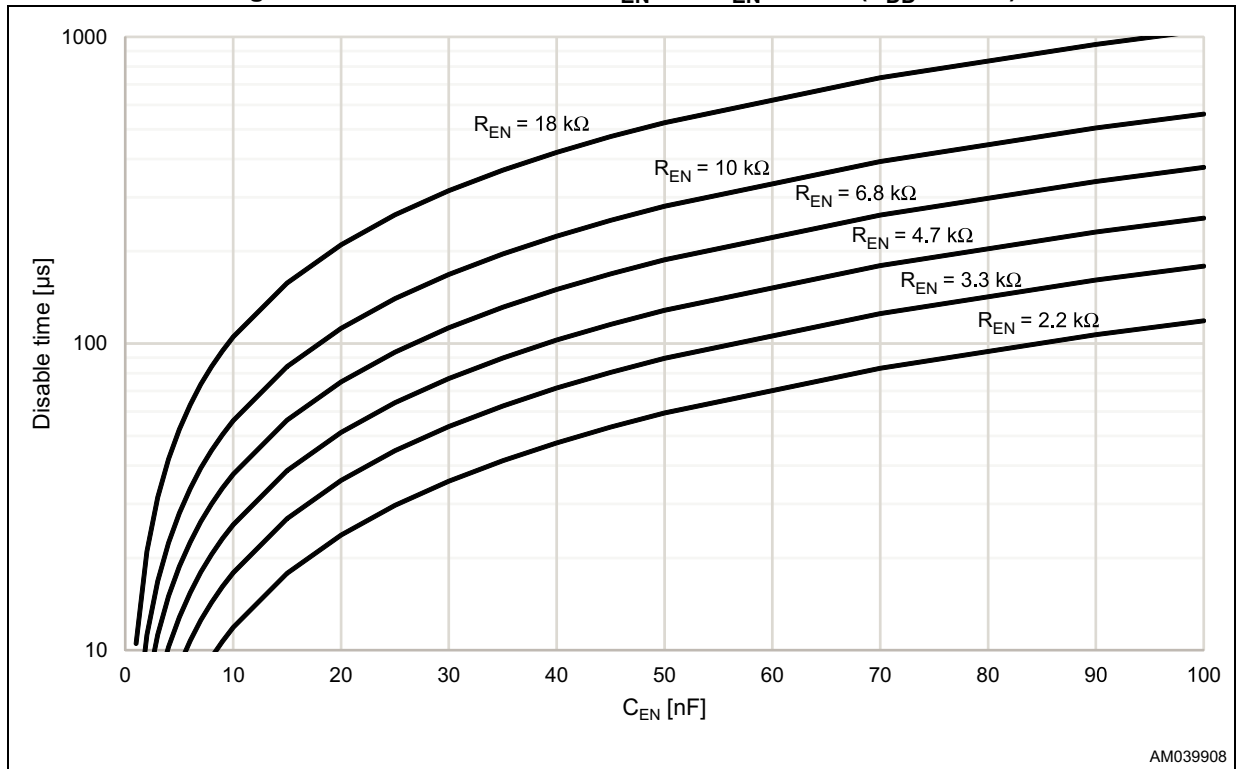
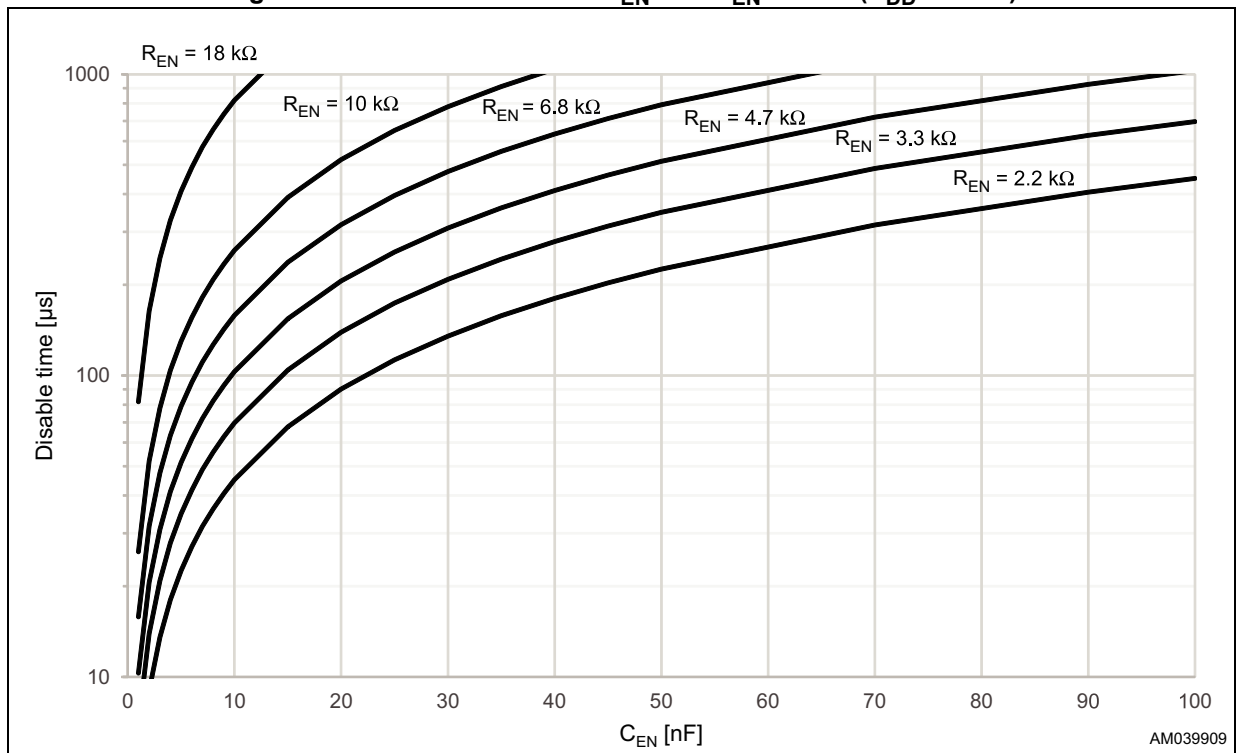


Figure 6. Disable time versus R_{EN} and C_{EN} values ($V_{DD} = 1.8\text{ V}$)



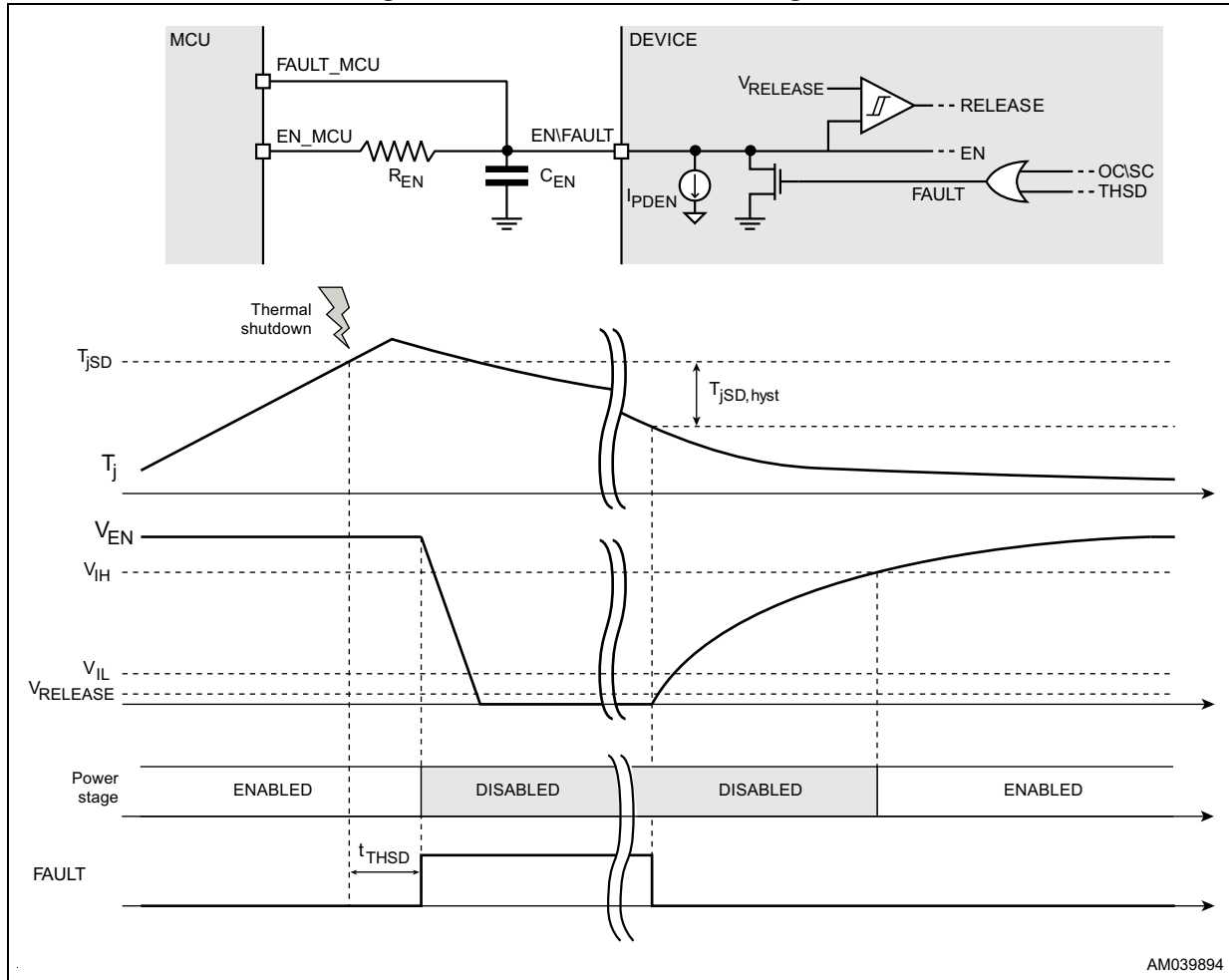
6.4 Thermal shutdown

The device embeds circuitry protecting it from the overtemperature condition.

When the thermal shutdown temperature is reached the power stage is disabled and the EN\FAULT input is forced low through the integrated open-drain MOSFET (refer to [Figure 7](#)).

The protection and the EN\FAULT output are released when the IC temperature returns below a safe operating value ($T_{jSD} - T_{jSD,Hyst}$).

Figure 7. Thermal shutdown management



AM039894

7 Graphs

Figure 8. Power stage resistance versus supply voltage

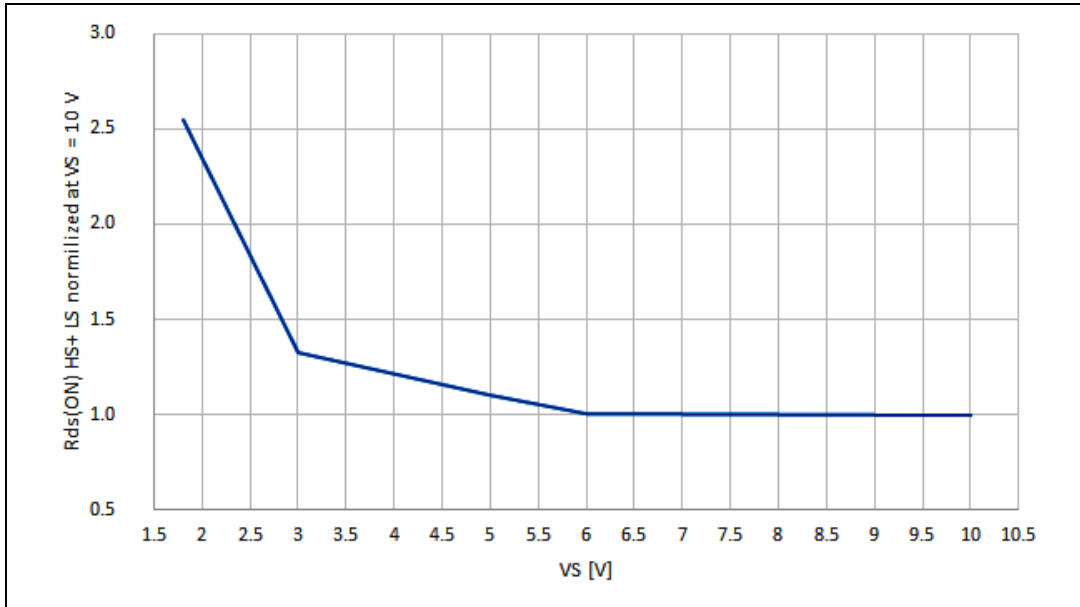
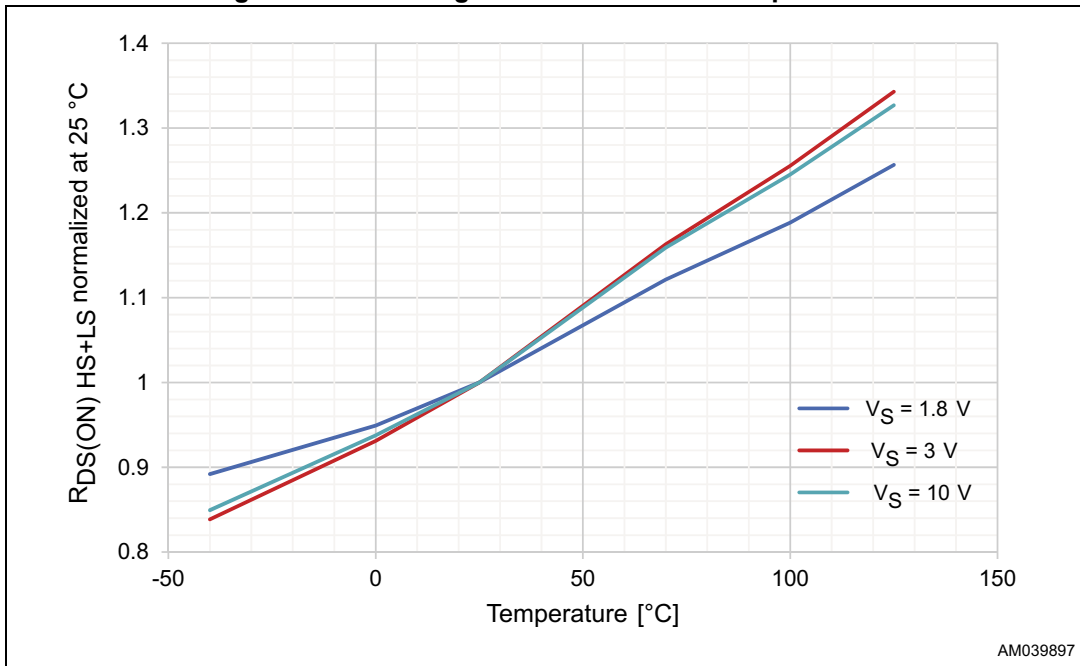
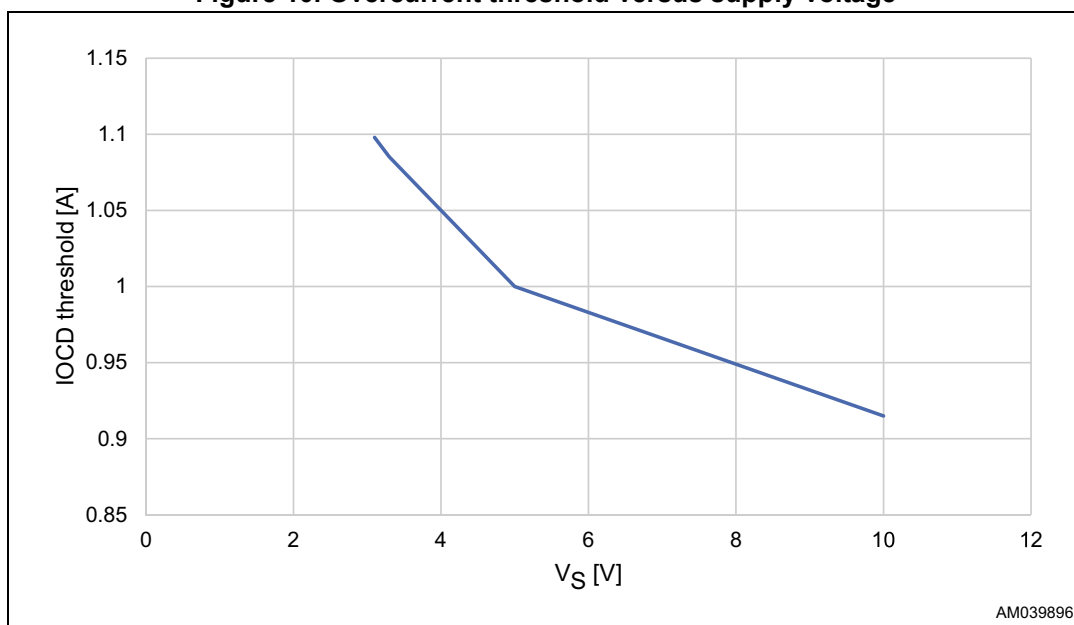


Figure 9. Power stage resistance versus temperature



AM039897

Figure 10. Overcurrent threshold versus supply voltage



8 Package information

In order to meet environmental requirements, ST offers these devices in different grades of ECOPACK® packages, depending on their level of environmental compliance. ECOPACK specifications, grade definitions and product status are available at: www.st.com. ECOPACK is an ST trademark.

8.1 VFQFPN 3x3x1.0 16L package information

Figure 11. VFQFPN 3x3x1.0 16L package outline

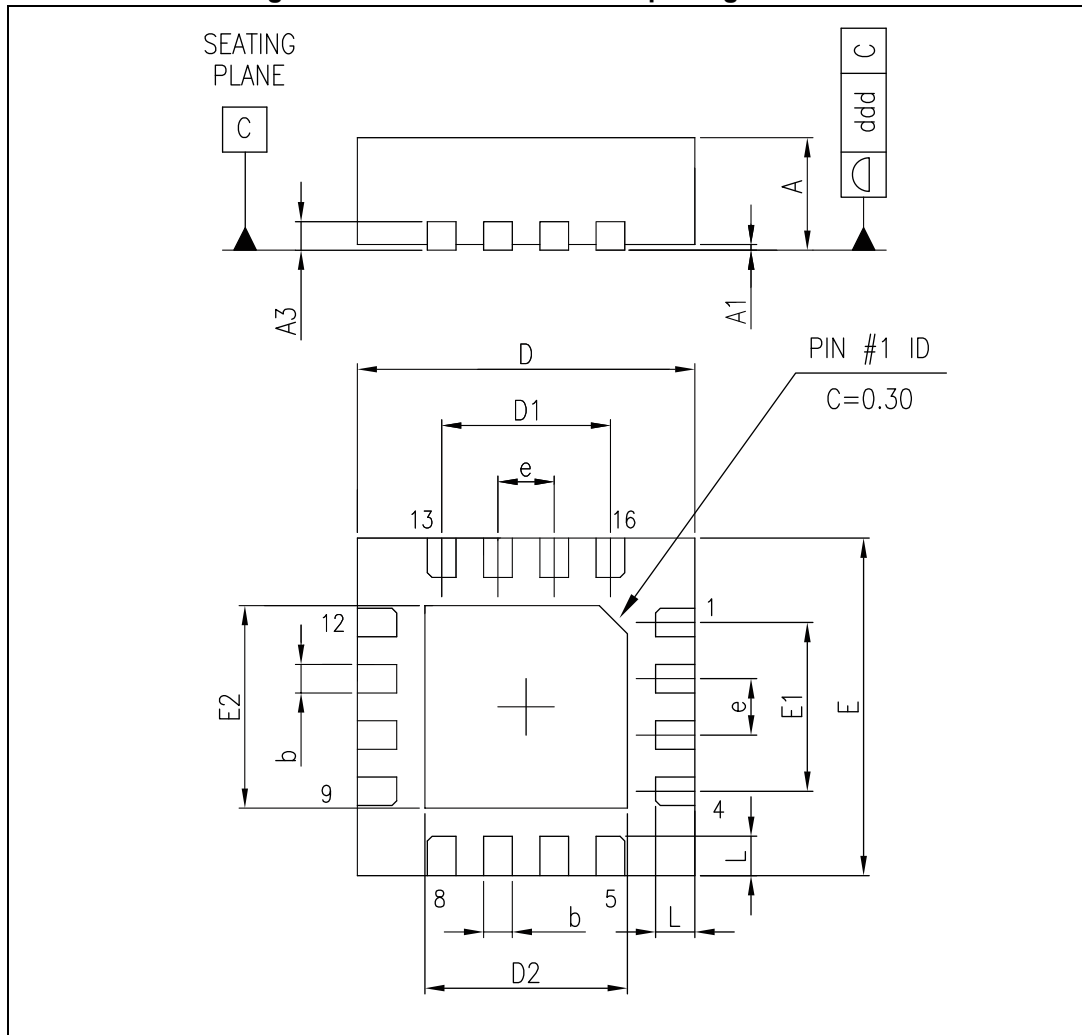
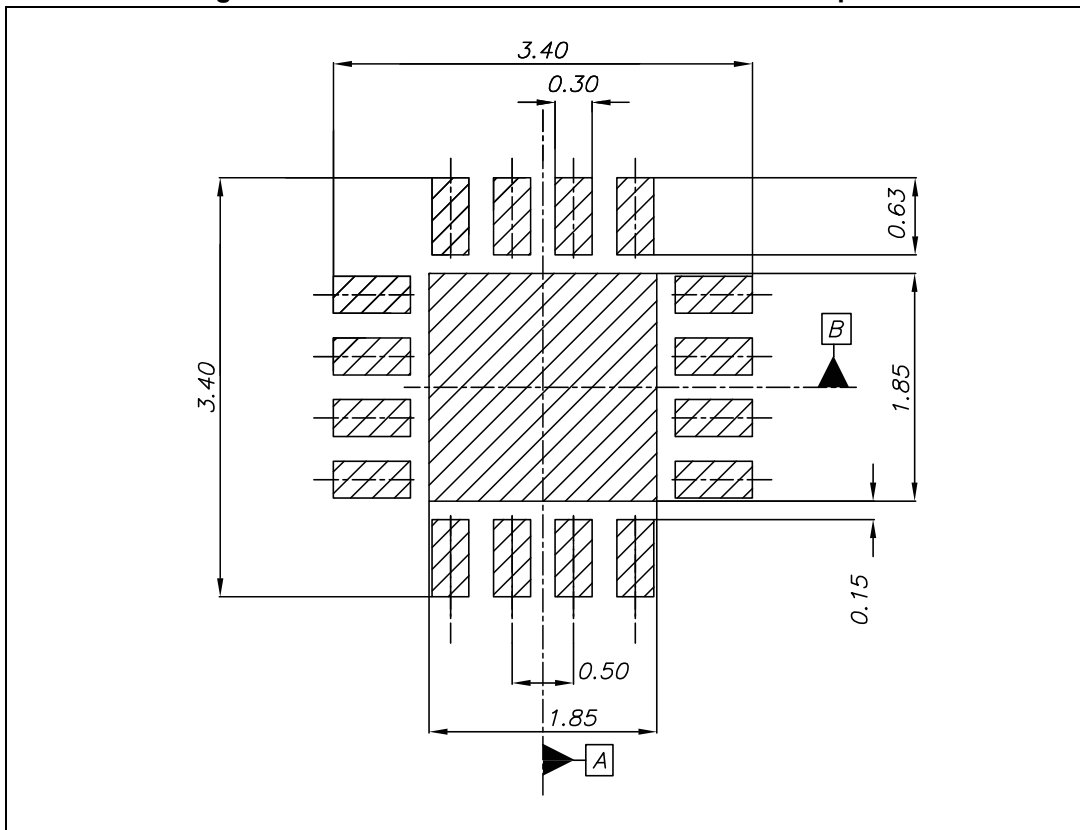


Table 9. VFQFPN 3x3x1.0 16L package mechanical data

Symbol	Dimensions (mm)			NOTES
	Min.	Typ.	Max.	
A	0.80	0.90	1.00	(1)
A1		0.02		
A3		0.20		
b	0.18	0.25	0.30	
D	2.85	3.00	3.15	
D2	1.70	1.80	1.90	
E	2.85	3.00	3.15	
E2	1.70	1.80	1.90	
e		0.50		
L	0.45	0.50	0.55	

- VFQFPN stands for "Thermally Enhanced Very thin Fine pitch Quad Packages No lead".
 Very thin: $0.80 < A \leq 1.00$ mm / fine pitch: $e < 1.00$ mm.
 The pin #1 identifier must be present on the top surface of the package by using an indentation mark or an other feature of the package body.

Figure 12. VFQFPN 3x3x1.0 16L recommended footprint



9 Ordering information

Table 10. Device summary

Order code	Package	Packaging
STSPIN230	VFQFPN 3x3x1.0 16L	Tape and reel

10 Revision history

Table 11. Document revision history

Date	Revision	Changes
06-May-2016	1	Initial release.
30-Jun-2016	2	Updated document status to <i>Datasheet - production data</i> on page 1. Updated <i>Table 1 on page 6</i> (changed Max. value of V_S from 12 to 11).
19-Oct-2016	3	Updated main title <i>on page 1</i> (added "for BLDC motors"). Updated <i>Section : Features on page 1</i> (added "Interlocking function"). Updated <i>Figure 1 on page 5</i> , <i>Figure 3 on page 12</i> , and <i>Figure 8 on page 17</i> (replaced by new figures). Updated <i>Table 3 on page 6</i> (replaced by new table). Updated <i>Figure 2 on page 10</i> (replaced "SENSE" by "SENSEU" and "SENSEVW"). Updated <i>Table 6 on page 10</i> (updated pin 4 and 9). Minor modifications throughout document.
04-Nov-2016	4	Updated <i>Table 2 on page 6</i> (added t_{INW} symbol).

IMPORTANT NOTICE – PLEASE READ CAREFULLY

STMicroelectronics NV and its subsidiaries ("ST") reserve the right to make changes, corrections, enhancements, modifications, and improvements to ST products and/or to this document at any time without notice. Purchasers should obtain the latest relevant information on ST products before placing orders. ST products are sold pursuant to ST's terms and conditions of sale in place at the time of order acknowledgement.

Purchasers are solely responsible for the choice, selection, and use of ST products and ST assumes no liability for application assistance or the design of Purchasers' products.

No license, express or implied, to any intellectual property right is granted by ST herein.

Resale of ST products with provisions different from the information set forth herein shall void any warranty granted by ST for such product.

ST and the ST logo are trademarks of ST. All other product or service names are the property of their respective owners.

Information in this document supersedes and replaces information previously supplied in any prior versions of this document.

© 2016 STMicroelectronics – All rights reserved