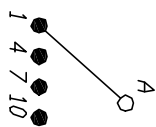
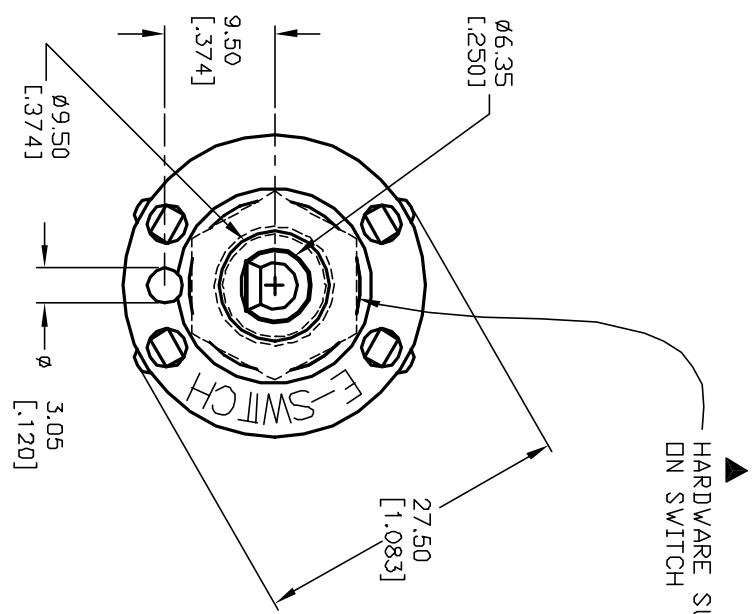
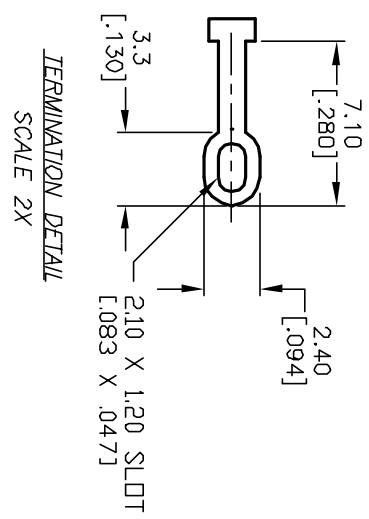


NOTES:

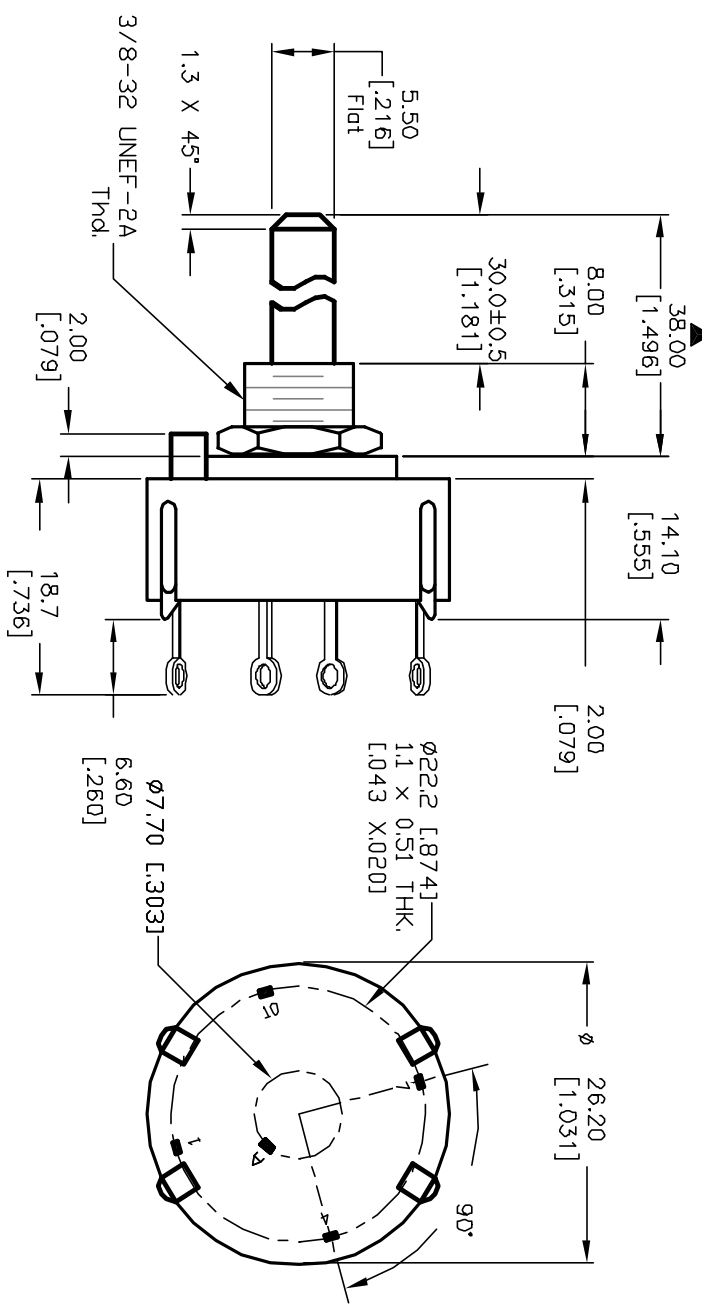
1. ALL DIMENSION IN MM [INCH]
2. GENERAL TOLERANCE: X.X=±0.4  
X.XX=±0.25
3. CONTACT RATING SWITCHING: 150mA, 250V AC/DC  
350mA, 110V AC/DC
4. CONTACT RATING (NON-SWITCHING) 5A
5. CONTACT: GOLD FLASH over Silver plated.
6. OPERATING FORCE: 425±100 CM/STANDARD
7. OPERATING TEMP: -30° to 85°C
8. CIRCUIT SP: 4 POSITIONS, 90° INDEX.
9. DIELECTRIC STRENGTH 1000V RMS min. @ SEA LEVEL
10. DESIGNATE MAJOR DIMENSIONS
11. HARDWARE SUPPLIED ON SWITCH- SEE BELOW  
STOP RING, LOCKWASHER, & LOCKNUT



CONTACT CONFIGURATION  
Timing: (BBM) Non-Shorting



HARDWARE SUPPLIED  
ON SWITCH



**E-SWITCH®**

REV. A		12821		RELEASED		2/25/03		CJB	
REV.		ECN No.		DESCRIPTION		DATE		CHKD	
THE INFORMATION CONTAINED IN THIS DOCUMENT IS PROPRIETARY TO E-SWITCH AND IS NOT TO BE COPIED OR TRANSFERRED									
TITLE		KC-58-A (30.0mm) -01-N-L-F							
SCALE		1.5:1		DATE		2/25/03		DR CJB DWG G510986	
REV		A		DATE		2/25/03		DR CJB DWG G510986	